

# *Dilos/Fulos*

---



## ***Loadbreak disconnectors and fused loadbreak disconnectors***

### **D.1 Benefits**

#### **D.6 Order codes**

D.6 Dilos

D.28 Fulos

D.44 Dilos / Fulos BA

D.46 Dilos / Fulos MO

D.46 Dilos changeover

D.50 Dilos 6P

#### **D.54 Technical data**

D.54 Dilos

D.58 Fulos

#### **D.60 Installation facilities**

D.60 Dilos

D.63 Dilos / Fulos

#### **D.64 Dimensional drawings**

D.92 Numerical index by reference number

D.94 Numerical index by catalogue number

**DILOS** Loadbreak disconnectors 16A up to 4000A

**FULOS** Fused loadbreak disconnectors 32A up to 1000/1250A

The new generation of loadbreak disconnectors DILOS, the fused execution FULOS and the changeover switches meet today's tertiary and industrial market needs.

Featuring superior technical performance, the switches satisfy the requirements of all modern low voltage installations of which the short-circuit level can now be calculated rapidly, reliable and durable at each level in the installation with adapted software (Procera....).

They comply with the latest specifications and safety requirements such as visible contact indication, positive contact indication (PCI), quick make and quick break operation, independent opening and closing mechanism, by-pass and padlocking features, auxiliary contacts, etc.

The concept integrates the requirements of installers and panelbuilders: fast and easy installation, reliable and durable connections.

#### Features

- Complete choice of current ratings
- In Dilos from 16A up to 4000A
- In Fulos from 32A up to 1000A/1250A
- Compact moulded body with transparent cover (visible contacts).
- Universal mechanism (unambiguous).
- Clear "ON/OFF" indication.
- Double break contacts with separate arcing contacts.
- Padlocking in "OFF" – position up to three padlocks.
- Very high short-circuit resistance.
- Extension shaft with defeat mechanism and positive contact indication

#### Applications

Dilos and Fulos switches can be utilised as:

- main switch
- outgoing switch
- incoming switch
- coupling switch

The compact design allows easy mounting in all types of enclosures, distribution boards and industrial panels.



## Complete range

**Loadbreak disconnectors (Dilos)**  
from 16A up to 4000A

**Fused loadbreak disconnectors (Fulos)**  
from 32A up to 1250A



### Two systems

- **DIN-rail** type disconnectors from 16A up to 200A  
The most complete range in the market  
Easy to install



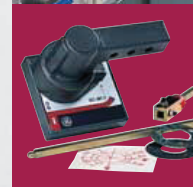
- **Wall-mounted** disconnectors from 40A up to 4000A and fused disconnectors from 32A up to 1250A



### Complete range of accessories

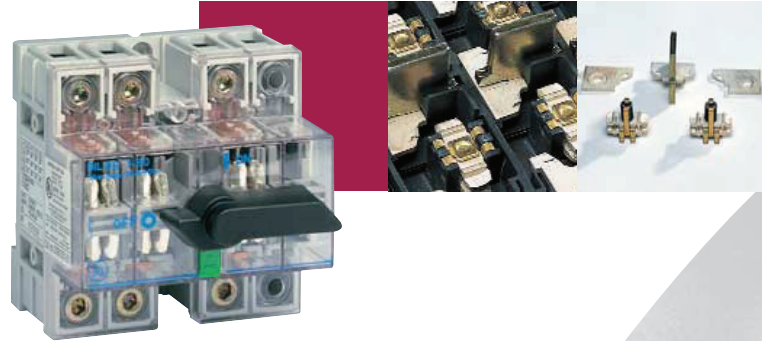
which are mostly common for all disconnectors

- Outside auxiliary contacts (simultaneously with main contact)
- Inside auxiliary contact (anticipated with main contact)
- Rotary handles (padlockable) with extension shafts
- Changeover systems
- Terminal covers



## High performances

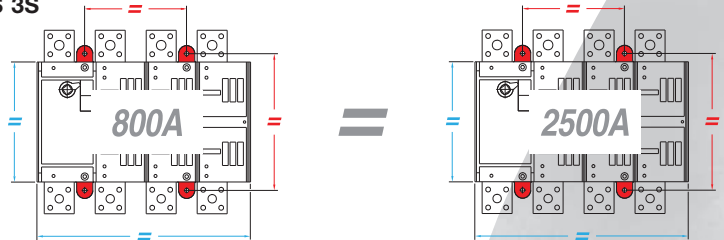
All disconnectors have double interruption on the four contact points to reach **high short-circuit resistance**



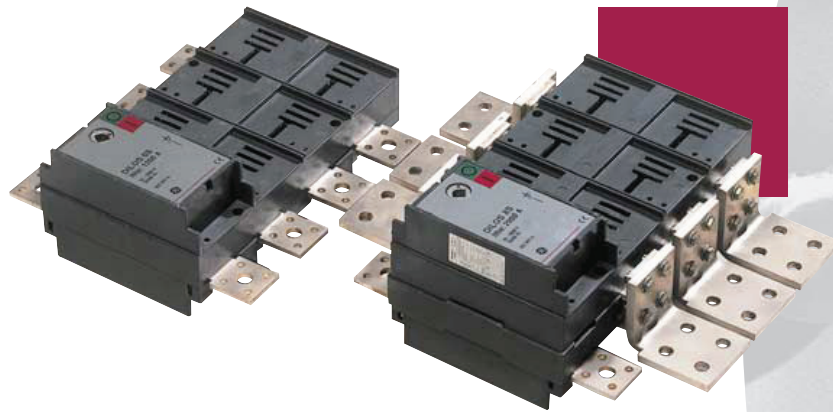
## Easy to install

Disconnectors **DILOS S** (800A-3150A) and **FULOS 3S**

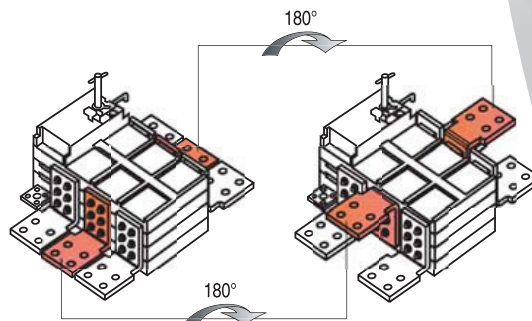
- One frame size (one dimension)
- Same fixation points for the installer
- Most compact size in the market



Unique layer system with **terminal connection** always at the same depth (800 up to 2500A)



The terminal connections (1600A-2500A) are symmetrical and can be turned 180° to allow **easy installation of current transformers**



## Safe and reliable

Visible contacts and disconnect functions



Independent opening and closing  
(quick make-quick brake),  
no intermediate position of the handle is possible



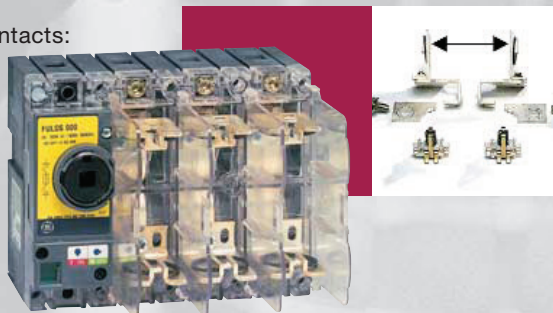
The power source for all disconnectors may be  
upstream or downstream



All disconnectors have a **defeat mechanism**



Fused disconnectors have double contacts:  
replacement of the fuses  
is possible without any danger  
in OFF position and dead.



## Loadbreak disconnectors for DIN-rail, wall and door mounting

**Dilos 00 - 16A up to 40A**  
**Dilos 0 - 32A up to 63A**



Order codes

### Applications



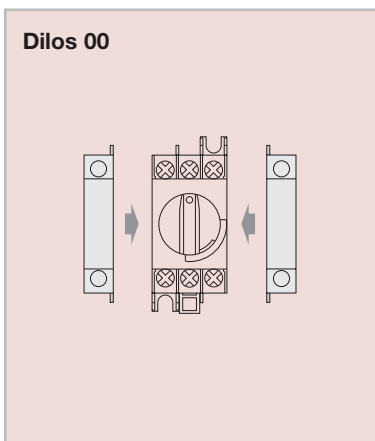
### Approvals / Marking



Dilos 00-0

Dilos 0

### Add-on devices



### Performance

- DIN-rail type
- Disconnect function
- Complete range of add-on devices
- Double knife contacts for Dilos 0
- Number of poles 2P - 3P - 4P
- Mounting:
  - Dilos 00 DIN-rail / panel wall
  - Dilos 0 DIN-rail wall
- Box terminals
- Padlockable

### Standards

IEC 60947-1 and IEC 60947-3, DIN VDE 0660 Teil 107,  
 BS EN 60947-3, CEI 17-11 (Fasc. 1039), EN 60947-3,  
 NBN EN 60947-3, NF C 63-130  
 Safety disconnector (red/yellow) according to DIN VDE 0113 Teil 1



### Technical Data

	Dilos 00	Dilos 0
Rated thermal current	16A-40A	32A-63A
Rated operational voltage	690V	440V
Peak short withstand circuit current	6kA	10kA
Terminal capacity (Cu)	1.5 - 16 mm <sup>2</sup>	2.5 - 25 mm <sup>2</sup>

Technical data ● pg. D.54  
 Installation facilities ● pg. D.60  
 Dimensions ● pg. D.64



## DILOS 00 - DIN-rail disconnectors - 2 modules

	Description	In (A)	Cat. no.	Ref. no.	Pack.
<b>Standard grey</b>    <b>3P</b>		16	D/061301-201	<b>730984</b>	1
		25	D/061302-201	<b>730986</b>	1
		32	D/061303-201	<b>730988</b>	1
		40	D/061304-201	<b>730990</b>	1
<b>Safety</b>    <b>3P</b>	Red/yellow, according to DIN VDE 0113 Teil 1	16	D/061301-203	<b>731404</b>	1
		25	D/061302-203	<b>731407</b>	1
		32	D/061303-203	<b>731410</b>	1
		40	D/061304-203	<b>731413</b>	1

## Accessories

	<b>Switched neutral module</b> To be added on one side	D/061903-104 , <b>731004</b> , 1 For 16A D/061903-204 , <b>731006</b> , 1 For 25A D/061903-304 , <b>731012</b> , 1 For 32A D/061903-404 , <b>731014</b> , 1 For 40A	<b>Handles for cover or hinged door</b> IP65, with door interlock  D/061900-601 , <b>730996</b> , 1 Black padlockable rotary handle Extension shaft of 305 mm D/061900-603 , <b>730997</b> , 1 Red/yellow padlockable rotary handle Extension shaft of 305 mm							
		<b>Fixed neutral module</b> To be added on one side			D/061903-205 , <b>731007</b> , 1 For 16A-40A	<b>Handle for cover or hinged door</b> IP54, without door interlock  D/061900-501 , <b>730992</b> , 1 Black rotary handle Extension shaft of 305 mm. Not to be used as main switch.				
					<b>Earth module</b> To be added on one side			D/061903-206 , <b>731008</b> , 1 For 16A-40A	<b>Terminal covers</b> D/061902-220 , <b>731002</b> , 1 3P D/061902-221 , <b>731003</b> , 1 1P	
								<b>Auxiliary contact</b> To be added on one side  D/061901-202 , <b>731000</b> , 1 1 NO/NC Ith = 10A at 230V		

DiLOS 00

D  
7



## DILOS 00 - Disconnectors for door mounting - 2 modules



Standard grey  
3P

Description	In (A)	Cat. no.	Ref. no.	Pack.
Without handle	16	D/061301-251	<b>730985</b>	1
	25	D/061302-251	<b>730987</b>	1
	32	D/061303-251	<b>730989</b>	1
	40	D/061304-251	<b>730991</b>	1

## Accessories



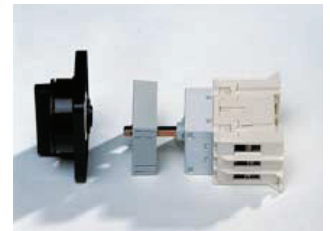
### Switched neutral module

To be added on one side

D/061903-154	<b>731005</b>	1
For 16A		
D/061903-254	<b>731009</b>	1
For 25A		
D/061903-354	<b>731013</b>	1
For 32A		
D/061903-454	<b>731015</b>	1
For 40A		

### Handles IP65

D/061900-651	<b>730998</b>	1
Black padlockable rotary handle		
D/061900-653	<b>730999</b>	1
Red/yellow padlockable rotary handle		



### Fixed neutral module

To be added on one side

D/061903-255	<b>731010</b>	1
For 16A-40A		

### Terminal covers

For DIN-rail and door mounting

D/061902-220	<b>731002</b>	1
3P		
D/061902-221	<b>731003</b>	1
1P		



### Earth module

To be added on one side

D/061903-256	<b>731011</b>	1
For 16A-40A		



### Auxiliary contacts

To be added on one side

D/061901-252	<b>731001</b>	1
1 NO/NC		
Ith = 10A at 230V		

### Rear view Dilos 00 + switch neutral module (4th pole)



### DILOS 0 - DIN-rail disconnectors - 4 modules



Standard grey

	Description	In (A)	Cat. no.	Ref. no.	Pack.
2P		32	V/333-013732	652017	1
		40	V/333-013742	652021	1
		63	V/333-013762	652025	1
3P		32	V/333-013733	652018	1
		40	V/333-013743	652022	1
		63	V/333-013763	652026	1
4P		32	V/333-013734	652019	1
		40	V/333-013744	652023	1
		63	V/333-013764	652027	1
3P+NF	Fixed neutral	32	V/333-013736	652020	1
		40	V/333-013746	652024	1
		63	V/333-013766	652028	1

### Accessories



Handles for cover or hinged door  
IP65

V/333-013721	652062	1
--------------	--------	---

Standard rotary handle  
Extension shaft of 238 mm

V/333-013723	652063	1
--------------	--------	---

Red/yellow padlockable rotary handle  
(max. three padlocks Ø 9 mm)  
Extension shaft of 238 mm and frontplate

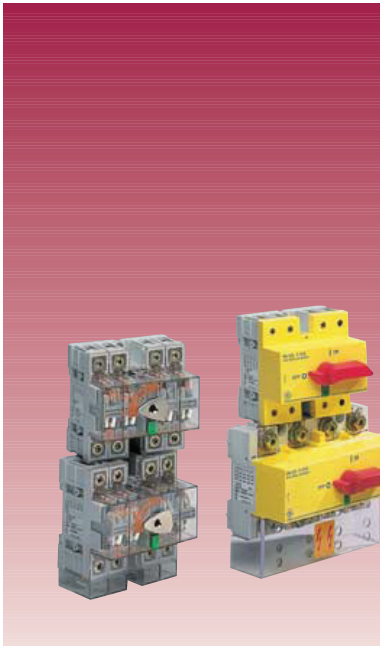
Terminal covers

V/333-013760	652016	1
--------------	--------	---

Sealable  
Set of 2 pieces



## Loadbreak disconnectors for DIN-rail and wall mounting



**Dilos 1 - 40A up to 125A**  
**Dilos 2 - 160A up to 200A**  
**Elos - 63A up to 125A**



Order codes

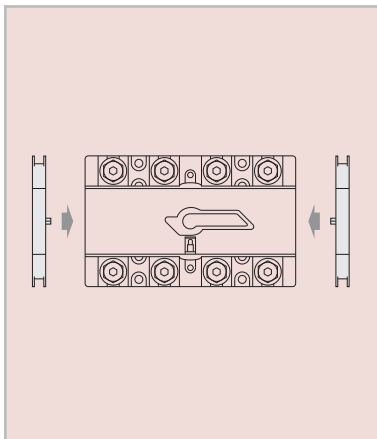
### Applications



### Approvals / Marking



### Add-on devices



### Performance

DIN-rail type and wall mounting type  
 Main disconnector, safety disconnector  
 Disconnect function  
 Visible contact indication - transparent contact cover  
 Quick make and quick break mechanism  
 Independent opening and closing  
 Positive contact indication (PCI)  
 Double knife contacts - high short-circuit resistance  
 Number of poles 2P - 3P - 4P  
 Box terminals with inbus screws  
 Padlockable

### Standards

IEC 60947-1 and IEC 60947-3, DIN VDE 0660 Teil 107,  
 BS EN 60947-3, CEI 17-11 (Fasc. 1039), EN 60947-3,  
 NBN EN 60947-3, NF C 63-130, UL 508  
 Safety disconnector (red/yellow) according to DIN VDE 0113 Teil 1

### Technical data

	Dilos 1	Dilos 2	Elos
<i>Rated thermal current</i>	40A - 125A	160A - 200A	63A - 125A
Rated operational voltage Ue	690V	690V	690V
Rated insulation voltage Ui	690V	690V	690V
Peak short withstand circuit current	10kA	10kA	10kA
Rated short-circuit current	50kA	50kA	50kA
High 1s rated short time withstand Icw	3kA	3kA	3kA
Terminal capacity (Cu)	6 - 50 mm <sup>2</sup>	Cu-rail 20x6	6 - 50 mm <sup>2</sup>

Technical data ● pg. D.54  
 Installation facilities ● pg. D.63  
 Dimensions ● pg. D.64



## DILOS 1 - DIN-rail disconnectors - 5 modules

### Standard transparent



	Description	In (A)	Cat. no.	Ref. no.	Pack.
2P		40	D/061212-201	730004	1
		63	D/061214-201	730008	1
		80	D/061215-201	730012	1
		100	D/061216-201	730016	1
		125	D/061217-201	730020	1
3P		40	D/061312-201	730049	1
		63	D/061314-201	730055	1
		80	D/061315-201	730061	1
		100	D/061316-201	730067	1
		125	D/061317-201	730073	1
4P		40	D/061412-201	730117	1
		63	D/061414-201	730123	1
		80	D/061415-201	730129	1
		100	D/061416-201	730135	1
		125	D/061417-201	730141	1
3P+NF	Fixed neutral	40	D/061512-201	730185	1
		63	D/061514-201	730189	1
		80	D/061515-201	730193	1
		100	D/061516-201	730197	1
		125	D/061517-201	730201	1

### Safety



3P	Red/yellow, according to DIN VDE 0113 Teil 1	40	D/061312-203	730050	1
		63	D/061314-203	730056	1
		100	D/061316-203	730068	1
		125	D/061317-203	730074	1
4P	Red/yellow, according to DIN VDE 0113 Teil 1	40	D/061412-203	730118	1
		63	D/061414-203	730124	1
		100	D/061416-203	730136	1
		125	D/061417-203	730142	1

## Accessories



### Handles for cover of hinged door

IP65 - Padlockable

D/061910-002	730255	1
Black - H = 55 mm		
Extension shaft L = 200 mm		
D/061910-012	730257	1
Red/yellow - H = 55 mm		
Extension shaft L = 200 mm		
D/061910-004	730256	1
Black - H = 55 mm		
Extension shaft L = 400 mm		
D/061910-014	730258	1
Red/yellow - H = 55 mm		
Extension shaft L = 400 mm		

### Terminals

Al/Cu 35 mm<sup>2</sup>

D/061912-013	731415	1
Set of 3 terminals		
D/061912-014	731416	1
Set of 4 terminals		



### Auxiliary contacts

To mount on one side

D/061901-001	730252	1
1P CO		
D/061901-002	730253	1
2P CO		

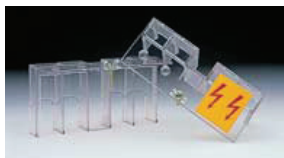


### Padlocking device (Ø max 8 mm)

D/061900-020	730250	1
For three padlocks		

### Bar or cable lug connection

D/061912-004	730260	1
Conv. set 4P + terminal cover. For connecting cable lugs or bars, max. W = 15 mm		



### Terminal covers

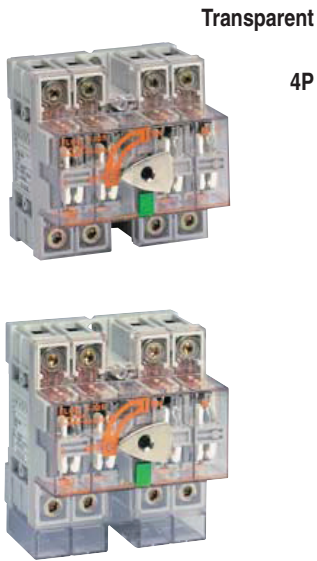
D/061912-020	731024	1
Transparent, sealable		
Set of 2 pieces		
(not for additional Al-cable terminals)		

### Inbus key

D/061000-097	730000	1
Insulated S5 - L = 200 mm		



## ELOS - DIN-rail loadbreak disconnectors - 5 modules



Transparent

4P

Description	In (A)	Cat. no.	Ref. no.	Pack.
For electricity boards	63	D/061421-200	<b>730806</b>	1
	100	D/061420-200	<b>730805</b>	1
	125	D/061419-000	<b>730144</b>	1
With cable protection IP20	125	D/061419-021	<b>731466</b>	1

## Accessories



### Cable protection

D/061912-021	<b>731467</b>	1
IP20		

### Padlocking device (Ø max 8 mm)

D/061900-020	<b>730250</b>	1
For three padlocks		

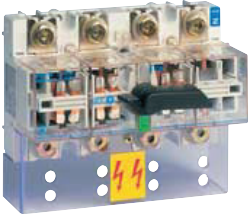



### Inbus key

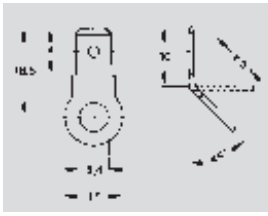
D/061000-097	<b>730000</b>	1
Insulated S5 - L = 200 mm		



## DILOS 2 - DIN-rail loadbreak disconnectors - 8 modules

Transparent	Description	In (A)	Cat. no.	Ref. no.	Pack.
	2P	160	D/061224-201	730034	1
		200	D/061226-201	730042	1
	3P	160	D/061324-201	730088	1
		200	D/061326-201	730096	1
	4P	160	D/061424-201	730157	1
		200	D/061426-201	730165	1
3P+NF	Fixed neutral	160	D/061524-201	730215	1
		200	D/061526-201	730223	1
<b>Safety</b>					
	3P	160	D/061324-203	730089	1
		200	D/061326-203	730097	1
	4P	160	D/061424-203	730158	1
		200	D/061426-203	730166	1

## Accessories

	<b>Handles for cover of hinged door</b> IP65 - Padlockable		
	D/061910-002	730255 1	
	Black - H = 55 mm		
	Extension shaft L = 200 mm		
	D/061910-012	730257 1	
	Red/yellow - H = 55 mm		
	Extension shaft L = 200 mm		
	D/061910-004	730256 1	
	Black - H = 55 mm		
	Extension shaft L = 400 mm		
D/061910-014	730258 1		
Red/yellow - H = 55 mm			
Extension shaft L = 400 mm			
	<b>Padlocking device (Ø max 8 mm)</b>		
	D/061900-020	730250 1	
	For three padlocks		
	<b>Terminal cover</b>		
	D/061922-020	730263 1	
		<b>Mantle terminals</b> Ø max 14 mm	
		D/061922-003	730261 1
		Set of 3 pieces	
		D/061922-004	730262 1
		Set of 4 pieces	
		<b>Auxiliary contacts</b> To mount on one side	
		D/061901-001	730252 1
		1P CO	
		D/061901-002	730253 1
		2P CO	
		<b>Wire connections</b>	
		D/061922-030	730281 1
		10 Faston tabs 6.3 x 0.8 mm for 2.5 mm <sup>2</sup> connections	
		<b>Inbus key</b>	
		D/061000-097	730000 1
		Insulated S5 - L = 200 mm	

## Loadbreak disconnectors for wall mounting



**Dilos 1H - 40A up to 125A**  
**Dilos 3 - 160A up to 315A**  
**Dilos 4 - 400A up to 630A**



Order codes

### Applications



### Performance

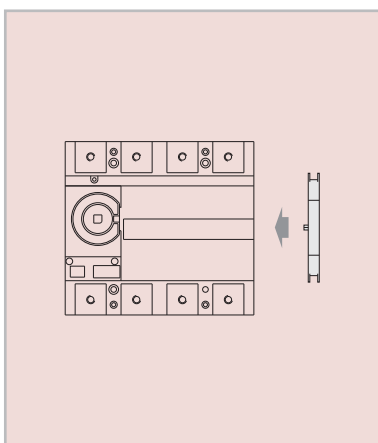
- Wall mounting
- Main disconnector, safety disconnector
- Disconnect function
- Visible contact indication - transparent cover
- Quick make and quick break mechanism
- Independent opening and closing
- Positive contact indication (PCI)
- Defeat mechanism rotary handle
- Double knife contacts - high short-circuit resistance
- Number of poles 3P - 4P
- With changeover system

### Approvals / Marking



Dilos 1H-3-4      Dilos 1H

### Add-on devices



### Standards

IEC 60947-1 and IEC 60947-3, DIN VDE 0660 Teil 107,  
 BS EN 60947-3, CEI 17-11 (Fasc. 1039), EN 60947-3,  
 NBN EN 60947-3, NF C 63-130, UL 508  
 Safety disconnector (red/yellow) according to DIN VDE 0113 Teil 1

### Technical data

	Dilos 1H	Dilos 3	Dilos 4
<i>Rated thermal current</i>	40A - 125A	160A - 315A	400A - 630A
Rated operational voltage Ue	690V	690V	690V
Rated insulation voltage Ui	1000V	1000V	1000V
Peak short withstand circuit current	10kA	30kA	60kA
Rated short-circuit current	50kA	100kA	100kA
High 1s rated short time withstand Icw	3kA	9kA	20kA
Terminal capacity (Cu)	6 - 50 mm <sup>2</sup>	Cu-rail 30x6	Cu-rail 2x40x6

- Technical data ● pg. D.56
- Installation facilities ● pg. D.63
- Dimensions ● pg. D.65

## DILOS 1H - Loadbreak disconnectors for wall mounting

### Standard transparent



**3P**  
**3P+N**  
**3P+NF**

Description	In (A)	Cat. no.	Ref. no.	Pack.
Without handle	40	D/061330-201	<b>730454</b>	1
	63	D/061331-201	<b>730457</b>	1
	125	D/061333-201	<b>730460</b>	1
Without handle	40	D/061430-201	<b>730482</b>	1
	63	D/061431-201	<b>730485</b>	1
	125	D/061433-201	<b>730488</b>	1
Without handle Fixed neutral	40	D/061530-201	<b>730510</b>	1
	63	D/061531-201	<b>730513</b>	1
	125	D/061533-201	<b>730516</b>	1

### Safety



**3P**  
**3P+N**

Yellow label, according to DIN VDE 0113 Teil 1 Without handle	40	D/061330-203	<b>730455</b>	1
	63	D/061331-203	<b>730458</b>	1
	125	D/061333-203	<b>730461</b>	1
Yellow label, according to DIN VDE 0113 Teil 1 Without handle	40	D/061430-203	<b>730483</b>	1
	63	D/061431-203	<b>730486</b>	1
	125	D/061433-203	<b>730489</b>	1

## Accessories for Dilos 1H

### Direct handles



D/061940-252	<b>731538</b>	1
Low grey		
D/061940-253	<b>731539</b>	1
Low red		



D/061940-211	<b>730649</b>	1
Grey, padlockable		
D/061940-213	<b>730650</b>	1
Red, padlockable		



D/061940-231	<b>730651</b>	1
Grey, keylockable and padlockable (Keylock not included)		
D/061940-233	<b>730652</b>	1
Red, keylockable and padlockable (Keylock not included)		

### Handles for inner door



IP65 - Padlockable  
 With extension shaft 300 mm  
 Reduced height = 55 mm

D/062927-202	<b>731056</b>	1
Black		
D/062927-203	<b>731351</b>	1
Red/yellow		

### Key lock



D/769080-000	<b>769080</b>	1
Plug-in for handles (Ronis 1104)		

### Handles for cover or hinged door

IP65 - Padlockable - Defeat  
 With extension shaft 300 mm (8/8)

D/062920-201	<b>730661</b>	1
Black		
D/062920-203	<b>730662</b>	1
Red/yellow		
D/062920-221	<b>730663</b>	1
Black with keylockable plug-in (Ronis 1104)		
D/062920-223	<b>730664</b>	1
Red/yellow with keylockable plug-in (Ronis 1104)		
D/062920-281	<b>730853</b>	1
Special set for disconnector with neutral on the right, black		
D/062920-283	<b>730854</b>	1
Special set for disconnector with neutral on the right, red/yellow		



### Inbus key

D/061000-097	<b>730000</b>	1
Insulated S5 - L = 200 mm		





## Accessories Dilos 1H (continued)



**Changeover system (I-O-II)**  
 With extension shaft 300 mm,  
 padlockable handle, gasket,  
 flange and template IP65 - defeat

D/062910-205	<b>730655</b>	1
--------------	---------------	---

With grey handle, padlockable

D/062910-207	<b>731347</b>	1
--------------	---------------	---

With red handle



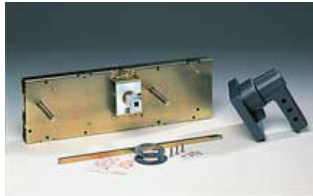
As above but with handle 55 mm height  
 for inner door

D/062927-265	<b>731453</b>	1
--------------	---------------	---

With black handle

D/062927-267	<b>731552</b>	1
--------------	---------------	---

With red handle



**6P/8P-system (I-O)**  
 With extension shaft 300 mm,  
 padlockable handle, gasket,  
 flange and template IP65 - defeat

D/062910-206	<b>730656</b>	1
--------------	---------------	---

With grey handle

### Standard auxiliary contacts

To be added on one side

D/061901-001	<b>730252</b>	1
--------------	---------------	---

1P CO

D/061901-002	<b>730253</b>	1
--------------	---------------	---

2P CO



### Anticipated auxiliary contacts

(early make and early break)

To be mounted inside

D/062911-201	<b>730608</b>	1
--------------	---------------	---



1CO

D/062911-202	<b>730609</b>	1
--------------	---------------	---

2 CO



## DILOS 3 - Loadbreak disconnectors for wall mounting

Transparent		Description	In (A)	Cat. no.	Ref. no.	Pack.
	3P		160	D/061334-201	<b>730463</b>	1
			200	D/061335-201	<b>730466</b>	1
			250	D/061336-201	<b>730469</b>	1
			315	D/061337-201	<b>730472</b>	1
3P+N			160	D/061434-201	<b>730491</b>	1
			200	D/061435-201	<b>730494</b>	1
			250	D/061436-201	<b>730497</b>	1
			315	D/061437-201	<b>730500</b>	1
3P+NF	Fixed neutral		160	D/061534-201	<b>730519</b>	1
			200	D/061535-201	<b>730522</b>	1
			250	D/061536-201	<b>730525</b>	1
			315	D/061537-201	<b>730528</b>	1
<b>Safety</b>						
	3P	Yellow label, according to DIN VDE 0113 Teil 1	160	D/061334-203	<b>730464</b>	1
			200	D/061335-203	<b>730467</b>	1
			250	D/061336-203	<b>730470</b>	1
	3P+N	Yellow label, according to DIN VDE 0113 Teil 1	160	D/061434-203	<b>730492</b>	1
			200	D/061435-203	<b>730495</b>	1
			250	D/061436-203	<b>730498</b>	1

## Accessories Dilos 3



Direct handles		
D/061940-252	<b>731538</b>	1
Low, grey		
D/061940-253	<b>731539</b>	1
Low, red		



D/061940-211	<b>730649</b>	1
Grey, padlockable		
D/061940-213	<b>730650</b>	1
Red, padlockable		



D/061940-231	<b>730651</b>	1
Grey, keylockable and padlockable (Keylock not included)		
D/061940-233	<b>730652</b>	1
Red, keylockable and padlockable (Keylock not included)		



Handles for inner door		
IP65 - Padlockable		
With extension shaft 300 mm		
Reduced height = 55 mm		
D/062927-202	<b>731056</b>	1
Black		
D/062927-203	<b>731351</b>	1
Red/yellow		



Keylock		
D/769080-000	<b>769080</b>	1
Plug-in for handles (Ronis 1104)		

### Handles for cover or hinged door

IP65 - Defeat - Padlockable  
 With extension shaft 300 mm (8/8)

D/062920-201	<b>730661</b>	1
Black		
D/062920-203	<b>730662</b>	1
Red/yellow		
D/062920-221	<b>730663</b>	1
Black with keylockable plug-in (Ronis 1104)		
D/062920-223	<b>730664</b>	1
Red/yellow with keylockable plug-in (Ronis 1104)		
D/062920-281	<b>730853</b>	1
Special set for disconnector with neutral on the right, black		
D/062920-283	<b>730854</b>	1
Special set for disconnector with neutral on the right, red/yellow		



### Inbus key

D/061000-097	<b>730000</b>	1
Insulated S5 - L = 200 mm		



## Accessories Dilos 3 (continued)



### Changeover system (I-O-II)

With extension shaft 300 mm, padlockable handle, gasket, flange and template

IP65 - defeat

D/062920-265    **730665**    1

With grey handle

D/062920-267    **731348**    1

With red/yellow handle



As above but with handle 55 mm height for inner door

D/062937-265    **731455**    1

With black handle

D/062937-267    **731554**    1

With red/yellow handle



### 6P/8P-system (I-O)

With extension shaft 300 mm, padlockable handle, gasket, flange and template

IP65 - defeat

D/062920-266    **730666**    1

With grey handle



### Terminals (Cu or Al 185 mm<sup>2</sup>)

D/062922-213    **730627**    1

Set of 3 V box terminals with cover

D/062922-214    **730628**    1

Set of 4 V box terminals with cover

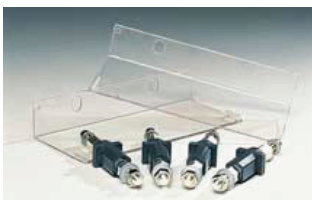


D/062922-203    **730625**    1

Set of 3 terminals with cover

D/062922-204    **730626**    1

Set of 4 terminals with cover



### Rear connections with cover

D/062922-253    **730629**    1

Set of 3 pieces

D/062922-254    **730630**    1

Set of 4 pieces

### Standard auxiliary contacts

To be added on the side

D/061901-001    **730252**    1

1P CO

D/061901-002    **730253**    1

2P CO



### Anticipated auxiliary contacts

(early make and early break)

To be mounted inside

D/062921-201    **730610**    1

1 CO

D/062921-202    **730611**    1

2 CO



### Terminal covers

D/062922-220    **730615**    1

Set of 2 long covers 4P, boxed  
Sealable



D/062922-226    **731459**    1

Set of 2 short covers 4P, boxed  
IP20 and sealable

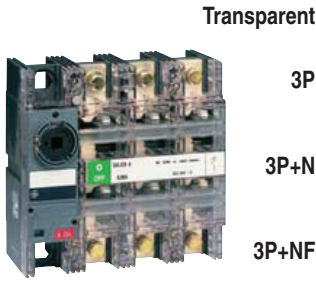


D/062922-221    **730616**    1

Set of 2 connection bolt covers 4P



## DILOS 4 - Loadbreak disconnectors for wall mounting



Description	In (A)	Cat. no.	Ref. no.	Pack.
3P	400	D/061344-201	<b>730474</b>	1
	500	D/061345-201	<b>730476</b>	1
	630	D/061346-201	<b>730478</b>	1
3P+N	400	D/061444-201	<b>730502</b>	1
	500	D/061445-201	<b>730504</b>	1
	630	D/061446-201	<b>730506</b>	1
3P+NF	400	D/061544-201	<b>730530</b>	1
	500	D/061545-201	<b>730532</b>	1
	630	D/061546-201	<b>730534</b>	1

## Accessories



Direct handles			
D/061950-252	<b>731540</b>	1	
Low, black			
D/061950-251	<b>730653</b>	1	
With key lock possibility (Keylock not included)			



Handles for cover or hinged door			
IP54 - Defeat - Padlockable			
With extension shaft 300 mm (14/14)			
D/062940-241	<b>730667</b>	1	
Grey			
D/062940-281	<b>730855</b>	1	
Set for discon. with N on the right: grey			



Handles for inner door			
IP65 - Padlockable			
D/062947-202	<b>731352</b>	1	
Black, reduced height 55 mm			
With extension shaft 300 mm			



Key lock			
D/769080-000	<b>769080</b>	1	
Plug-in for handles			



Changeover system (I-O-II)			
With extension shaft 300 mm, padlockable handle, gasket, flange and template			
D/062940-265	<b>730669</b>	1	
With handle IP54 - defeat			



As above but with handle 55 mm height for inner door			
D/062947-265	<b>731457</b>	1	
With black handle IP65			

Standard auxiliary contacts			
To be added on one side			
D/061901-001	<b>730252</b>	1	
1P CO			
D/061901-002	<b>730253</b>	1	
2P CO			



Anticipated auxiliary contacts			
(early make and early break)			
To be mounted inside			
P9B10VN	<b>187002</b>	1	
1P NO			
P9B01VR	<b>187003</b>	1	
1P NC			



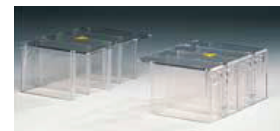
Terminals (Cu or Al 240 mm²)			
D/062942-213	<b>730633</b>	1	
Set of 3 V box terminals with cover			
D/062942-214	<b>730634</b>	1	
Set of 4 V box terminals with cover			



Rear connections with cover			
D/062942-253	<b>730635</b>	1	
Set of 3 pieces			
D/062942-254	<b>730636</b>	1	
Set of 4 pieces			



Terminal covers			
D/062942-220	<b>730618</b>	1	
Set of 2 long terminal covers 4P - boxed			



D/062942-226	<b>731461</b>	1	
Set of 2 short terminal covers 4P			
IP20 - box terminal - sealable			



D/062942-221	<b>730619</b>	1	
Set of 2 connection bolt covers 4P			



## Loadbreak disconnectors for wall mounting

### Dilos 6S - 800A up to 1250A



### Performance

- Panel mounting
- Main disconnector
- Disconnect function
- As changeover - as 6P disconnector
- Visible contact indication - transparent cover
- Quick make and quick break mechanism
- Independent opening and closing
- Positive contact indication (PCI)
- Defeat mechanism rotary handle
- Double knife contacts - high short-circuit resistance
- Number of poles 3P - 4P

### Standards

IEC 60947-1 and IEC 60947-3, DIN VDE 0660 Teil 107,  
DIN VDE 0113 Teil 1, BS EN 60947-3, CEI 17-11 (Fasc. 1039),  
EN 60947-3, NBN EN 60947-3, NF C 63-130

### Technical data

	35kA/50kA	35kA/50kA	35kA/50kA
Rated thermal current	800A	1000A	1250A
Rated operational voltage Ue	1000V	1000V	1000V
Rated insulation voltage Ui	1500V	1500V	1500V
Peak short withstand circuit current	73.5kA/105kA	73.5kA/105kA	73.5kA/105kA
Rated short-circuit current	73.5kA/105kA	73.5kA/105kA	73.5kA/105kA
High 1s rated short time withstand Icw	35kA/50kA	35kA/50kA	35kA/50kA
Terminal capacity (Cu)	Cu-rail 2x50x5	Cu-rail 2x50x6	Cu-rail 2x50x8

### Technical data auxiliary contacts

Can be mounted on switches with direct handle and behind door

Break before main contacts

Changeover contacts

To be mounted on the top of the disconnector

Data: Ie = 10A at 400V ~ AC12 - Ie = 10A at 400V ~ AC13 - Ie = 1.4A at 48V = DC13

### Applications



### Approvals / Marking



- Fused disconnectors and disconn. with tripping device ● pg. D.44
- Motorised disconn. and motorised changeover disconnectors ● pg. D.46
- Manual changeover disconn. ● pg. D.50
- 6P disconnectors ● pg. D.50

- Technical data ● pg. D.56
- Installation facilities ● pg. D.60 - D.63
- Dimensions ● pg. D.67

## DILOS 6S - Loadbreak disconnectors for wall mounting



35kA	Description	In (A)	Cat. no.	Ref. no.	Pack.
3P	Visible contacts. Without handle	800	D/661365-231	<b>731570</b>	1
		1000	D/661366-231	<b>731584</b>	1
		1250	D/661367-231	<b>731557</b>	1
4P	Visible contacts. Without handle	800	D/661465-231	<b>731662</b>	1
		1000	D/661466-231	<b>731677</b>	1
		1250	D/661467-231	<b>731691</b>	1
3P+NF	Fixed neutral	800	D/661565-231	<b>731733</b>	1
	Visible contacts. Without handle	1000	D/661566-231	<b>731737</b>	1
		1250	D/661567-231	<b>731741</b>	1
<hr/>					
50kA					
3P	Visible contacts. Without handle	800	D/661365-251	<b>731571</b>	1
		1000	D/661366-251	<b>731585</b>	1
		1250	D/661367-251	<b>731601</b>	1
4P	Visible contacts. Without handle	800	D/661465-251	<b>731663</b>	1
		1000	D/661466-251	<b>731678</b>	1
		1250	D/661467-251	<b>731692</b>	1
3P+NF	Fixed neutral	800	D/661565-251	<b>731734</b>	1
	Visible contacts. Without handle	1000	D/661566-251	<b>731738</b>	1
		1250	D/661567-251	<b>731742</b>	1

## Accessories



### Single handles for 35kA version

D/661960-231 **731786** 1

Direct black with transparent main contact cover shield (3P)

D/662960-231 **731882** 1

Black with extension shaft (300 mm - 12x12 mm) for door mounting - IP65 - Padlockable in OFF position (3 padlocks 6.3 mm) and keylockable (Keylock not included)

D/662960-232 **731883** 1

Black with extension shaft (300 mm - 12x12 mm) for door mounting - IP65 - Padlockable in OFF position (3 padlocks 6.3mm) with defeat mechanism and keylockable (Keylock not included)



### Double handles for 50kA version

D/661960-251 **731788** 1

Direct black with transparent main contact cover shield (3P)

D/662960-251 **731884** 1

Black with extension shaft (300 mm - 12x12 mm) for door mounting - IP65 - Padlockable in OFF position (3 padlocks 6.3 mm) - keylockable (Keylock not included)

D/662960-252 **731885** 1

Black with extension shaft (300 mm - 12x12 mm) for door mounting - IP65 - Padlockable in OFF position (3 padlocks 6.3 mm) with defeat mechanism - keylockable (Keylock not included)



### Keylock

D/662960-240 **730857** 1

Plug-in, Fiat key (code H235)  
Lockable in OFF position  
Key removable in OFF position



### Padlock system

D/661960-245 **731787** 1

For direct handle



### Covers

D/662962-223 **731895** 1

1 upper box terminal cover transparent



D/662962-224 **731896** 1

1 lower box terminal cover transparent



D/662962-227 **731898** 1

Transparent main contact cover shield (3P)



### Auxiliary contacts (CO)

D/661971-201 **731794** 1

1NO+1NC

D/661971-202 **731795** 1

2NO+2NC



Extension shaft, see page D.25

Technical data, see page D.20

## Loadbreak disconnectors for wall mounting

**Dilos 7S - 1600A**


**Dilos 8S - 2000A/2500A**



### Applications



### Approvals / Marking

CESI certificate 

### Performance

- Panel mounting
- Main disconnector
- Disconnect function
- Visible contact indication
- Quick make and quick break mechanism
- Independent opening and closing
- Positive contact indication (PCI)
- Defeat mechanism rotary handle
- Double knife contacts - high short-circuit resistance
- Number of poles 3P - 4P

### Standards

IEC 60947-1 and IEC 60947-3, DIN VDE 0660 Teil 107, DIN VDE 0113 Teil 1, BS EN 60947-3, CEI 17-11 (Fasc. 1039), EN 60947-3, NBN EN 60947-3, NF C 63-130

### Technical data

	1600A	2000A	2500A
Rated thermal current	1600A	2000A	2500A
Rated operational voltage Ue	1000V	1000V	1000V
Rated insulation voltage Ui	1500V	1500V	1500V
Peak short withstand circuit current	105kA	105kA	105kA
Rated short-circuit current	105kA	105kA	105kA
High 1s rated short time withstand Icw	50kA	50kA	50kA
Terminal capacity (Cu)	Cu-rail 2x60x10	Cu-rail 2x80x10	Cu-rail 2x80x10

- Fused disconnectors and disconn. with tripping device ● pg. D.44
- Motorised disconn. and motorised changeover disconnectors ● pg. D.46
- Manual changeover disconn. ● pg. D.50
- 6P disconnectors ● pg. D.50

- Technical data ● pg. D.56
- Installation facilities ● pg. D.60 - D.63
- Dimensions ● pg. D.68



### DILOS 7S - Loadbreak disconnectors for wall mounting



1600A	Description	In (A)	Cat. no.	Ref. no.	Pack.
3P	Visible contacts. Without handle	1600	D/661371-251	<b>731618</b>	1
3P+N 50%	Visible contacts. Without handle	1600	D/661771-251	<b>731752</b>	1
4P	Visible contacts. Without handle	1600	D/661471-251	<b>731706</b>	1

### DILOS 8S - Loadbreak disconnectors for wall mounting



2000A	Description	In (A)	Cat. no.	Ref. no.	Pack.
3P	Visible contacts. Without handle	2000	D/661382-251	<b>731632</b>	1
3P+N 50%	Visible contacts. Without handle	2000	D/661782-251	<b>731754</b>	1
4P	Visible contacts. Without handle	2000	D/661482-251	<b>731719</b>	1



2500A	Description	In (A)	Cat. no.	Ref. no.	Pack.
3P	Visible contacts. Without handle	2500	D/661385-251	<b>731646</b>	1
3P+N 50%	Visible contacts. Without handle	2500	D/661785-251	<b>731761</b>	1
4P	Visible contacts. Without handle	2500	D/661485-251	<b>731728</b>	1

### Accessories



Double handles			
D/661960-251	<b>731788</b>	1	Direct black with transparent main contact cover shield (3P)
D/662960-251	<b>731884</b>	1	Black with extension shaft (300 mm - 12x12 mm) for door mounting - IP65 - Padlockable in OFF position (3 padlocks 6.3 mm) - keylockable (Keylock not included)



D/662960-252	<b>731885</b>	1	Black with extension shaft (300 mm - 12x12 mm) for door mounting - IP65 - Padlockable in OFF position (3 padlocks 6.3 mm) with defeat mechanism - keylockable (Keylock not included)
--------------	---------------	---	--



Extension shaft, see page



Contact cover			
D/662962-227	<b>731898</b>	1	Transparent main contact cover shield (3P)

Keylock			
D/062960-240	<b>730857</b>	1	Plug-in, Fiat key (code H235) Lockable in OFF position Key removable in OFF position



Padlock system			
D/661970-245	<b>731792</b>	1	For direct handles Dilos 7S and Dilos 8S 2000A
D/661980-245	<b>731798</b>	1	For direct handle Dilos 8S 2500A



Auxiliary contacts (CO)			
D/661971-201	<b>731794</b>	1	1NO+1NC
D/661971-202	<b>731795</b>	1	2NO+2NC

Technical data, see page B.16





## Loadbreak disconnectors for wall mounting



**Dilos 9S - 3150A**  
**Dilos 9 - 4000A**



Order codes

### Applications



### Approvals / Marking

CESI certificate (3150A)



### Performance

- Panel mounting
- Main disconnector
- Disconnect function
- Visible contact indication
- Quick make and quick break mechanism
- Independent opening and closing
- Positive contact indication (PCI)
- Defeat mechanism rotary handle
- Double knife contacts - high short-circuit resistance
- Number of poles 3P - 4P

### Standards

IEC 60947-1 and IEC 60947-3, DIN VDE 0660 Teil 107, DIN VDE 0113 Teil 1, BS EN 60947-3, CEI 17-11 (Fasc. 1039), EN 60947-3, NBN EN 60947-3, NF C 63-130

### Technical data

	3150A	4000A
Rated thermal current	3150A	4000A
Rated operational voltage Ue	1000V	1000V
Rated insulation voltage Ui	1500V	1500V
Peak short withstand circuit current	105kA	105kA
Rated short-circuit current	105kA	105kA
High 1s rated short time withstand Icw	50kA	50kA
Terminal capacity (Cu)	Cu-rail 2x100x10	Cu-rail 2x100x10

- Fused disconnectors and disconn. with tripping device ● pg. D.44
- Motorised disconn. and motorised changeover disconnectors ● pg. D.46
- Manual changeover disconn. ● pg. D.50
- 6P disconnectors ● pg. D.50

- Technical data ● pg. D.56
- Dimensions ● pg. D.60 - D.63
- Installation facilities ● pg. D.69

## DILOS 9S - Loadbreak disconnectors for wall mounting



Description	In (A)	Cat. no.	Ref. no.	Pack.
Visible contacts. Without handle	3150	D/661393-251	<b>731654</b>	1
Visible contacts. Without handle	3150	D/661793-251	<b>731769</b>	1

### Accessories



Double handles			
D/661960-251	<b>731788</b>	1	

Direct black and transparent main contact cover shield (3P)



D/662960-251	<b>731884</b> <sup>(1)</sup>	1	
--------------	------------------------------	---	--

Black with extension shaft (300 mm - 12x12 mm) for door mounting - IP65 - Padlockable in OFF position (3 padlocks 6.3 mm) - keylockable (Keylock not included)

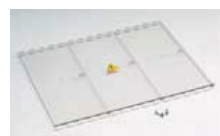


D/662960-252	<b>731885</b> <sup>(1)</sup>	1	
--------------	------------------------------	---	--

Black with extension shaft (300 mm - 12x12 mm) for door mounting - IP65 - Padlockable in OFF position (3 padlocks 6.3 mm) with defeat mechanism - keylockable (Keylock not included)



Extension shaft			
D/662960-200	<b>731881</b>	1	
200 mm			



Contact cover			
D/662962-227	<b>731898</b>	1	
Transparent main contact cover shield (3P)			

Keylock			
D/062960-240	<b>730857</b>	1	
With plug-in Fiat key (code H235) Lockable in OFF position Key removable in OFF position			



Padlock system			
D/661990-245	<b>731800</b>	1	
For direct handle			



Auxiliary contacts (CO)			
D/661971-201	<b>731794</b>	1	
1NO+1NC			

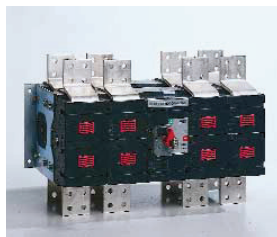


D/661971-202	<b>731795</b>	1	
2NO+2NC			
Technical data, see page B.16			



(1) Depth between the rear of the disconnector and the front of the enclosures door: max 423 mm.

## DILOS 9 - Loadbreak disconnectors for wall mounting



3P  
3P+N

Description	In (A)	Cat. no.	Ref. no.	Pack.
Visible contacts. Without handle	4000*	D/061394-201	<b>730743</b>	1
Visible contacts. Without handle	4000	D/061494-201	<b>730757</b>	1

\* Not under load

## Accessories



### Double handles

D/061990-271	<b>731357</b>	1
Direct black with metal coupling insert		
D/062990-261	<b>731359</b> <sup>(1)</sup>	1
Black with extension shaft (300 mm - 12x12 mm) for door mounting - IP65 - Padlockable in OFF position (3 padlocks 6.3 mm) with defeat mechanism - keylockable plug-in (Fiat), with metal coupling insert		

### Keylock

D/062960-240	<b>730857</b>	1
Plug-in, Fiat key (code H235)		
Lockable in OFF position		
Key removable in OFF position		

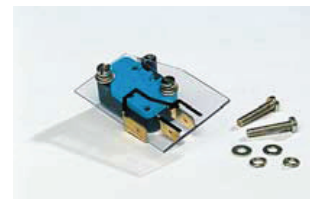


### Contact cover

D/062972-227	<b>731498</b>	1
Transparent main contact cover shield (3P)		

### Auxiliary contacts (CO)

D/062961-201	<b>730860</b>	1
1NO+1NC		
D/062961-202	<b>730861</b>	1
2NO+2NC		



Technical data, see page D.20

(1) Depth between the rear of the disconnector and the front of the enclosures door: max 520 mm.

Notes

The page contains a large grid area for taking notes, consisting of approximately 25 columns and 40 rows of small squares. A faint, large GE logo watermark is visible in the bottom right corner of the grid area.

## Fused loadbreak disconnectors



**Fulos 000 DIN - 125A**  
**Fulos 000 NF - 125A**  
**Fulos 000 BS - 100A<sup>(1)</sup>**



Order codes

### Applications



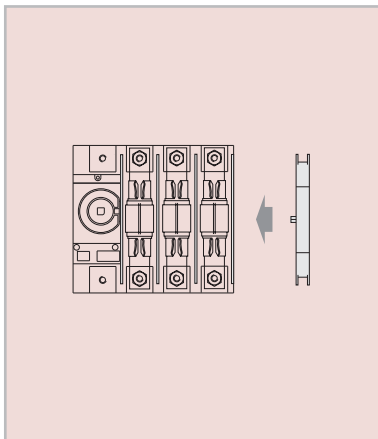
### Performance

- Panel mounting
- Fused safety disconnector (main disconnector)
- Disconnect function
- Visible contact indication - transparent cover
- Quick make and quick break mechanism
- Independent opening and closing
- Positive contact indication (PCI)
- Very low power losses
- Fuse completely disconnected in "OFF"
- Defeat mechanism rotary handle
- Double knife contacts - high short-circuit resistance
- Number of poles 3P - 4P

### Approvals / Marking



### Add-on devices



### Standards

#### For disconnectors

IEC 60947-1 and IEC 60947-3, DIN VDE 0660 Teil 107, BS EN 60947-3, CEI 17-11 (Fasc. 1039), EN 60947-3, NBN EN 60947-3, NF C 63-130

Safety disconnector (red/yellow) according to DIN VDE 0113 Teil 1

#### For fuses

IEC 60269-2-1, BS 88 Parts 1 & 2 1988, DIN VDE 0636 Teil 1, NF EN 60269-1, NF C 63-211, NF C 63-210

### Technical data

	DIN 000	NF	BS A2-A3
Rated thermal current	125A	125A	100A
Rated operational voltage Ue	690V	690V	690V
Rated insulation voltage Ui	1000V	1000V	1000V
Rated short-circuit current	50kA	50kA	50kA
Terminal capacity (Cu)	6-50mm <sup>2</sup>	6-50mm <sup>2</sup>	6-50mm <sup>2</sup>

Technical data ● pg. D.58  
 Dimensions ● pg. D.65

(1) Also available BS OS 100 M125



### FULOS 000 - Fused loadbreak disconnectors

#### According to DIN



	Description	In (A)	Cat. no.	Ref. no.	Pack.
<b>3P</b>	NH 000 - NH 00	32	D/062311-231	<b>730817</b>	1
		63	D/062311-261	<b>730818</b>	1
		125	D/062311-201	<b>730560</b>	1
<b>3P+N</b>	NH 000 - NH 00	32	D/062411-231	<b>730829</b>	1
		63	D/062411-261	<b>730830</b>	1
		125	D/062411-201	<b>730576</b>	1
<b>3P+NF</b>	NH 000 - NH 00	32	D/062511-231	<b>730841</b>	1
		63	D/062511-261	<b>730842</b>	1
		125	D/062511-201	<b>730592</b>	1

#### According to NF



<b>3P</b>	NF 14 x 51	50	D/062313-201	<b>730820</b>	1
	NF 22 x 58	125	D/062314-201	<b>730821</b>	1
<b>3P+N</b>	NF 14 x 51	50	D/062413-201	<b>730832</b>	1
	NF 22 x 58	125	D/062414-201	<b>730833</b>	1
<b>3P+NF</b>	NF 14 x 51	50	D/062513-201	<b>730844</b>	1
	NF 22 x 58	125	D/062514-201	<b>730845</b>	1

#### According to BS



<b>3P</b>	BS A2 (TIA - 690V)	32	D/062312-221	<b>731053</b>	1
	BS A3 (TIA / TIS - 690V)	63	D/062312-231	<b>730819</b>	1
	BS A3 (TIS / OS - 440V) (OS 100 M125)	100	D/062312-232	<b>731919</b>	1
<b>3P+N</b>	BS A2 (TIA - 690V)	32	D/062412-221	<b>731054</b>	1
	BS A3 (TIA / TIS - 690V)	63	D/062412-231	<b>730831</b>	1
	BS A3 (TIS / OS - 440V) (OS 100 M125)	100	D/062412-232	<b>731921</b>	1
<b>3P+NF</b>	BS A2 (TIA - 690V)	32	D/062512-221	<b>731055</b>	1
	BS A3 (TIA / TIS - 690V)	63	D/062512-231	<b>730843</b>	1
	BS A3 (TIS / OS - 440V) (OS 100 M125)	100	D/062512-232	<b>731923</b>	1

### FULOS 000 - Safety fused loadbreak disconnectors

#### According to DIN



	Description	In (A)	Cat. no.	Ref. no.	Pack.
<b>3P</b>	NH 000 - NH 00 Yellow label, according to DIN VDE 0113 Teil 1	32	D/062311-233	<b>731017</b>	1
		63	D/062311-263	<b>731019</b>	1
		125	D/062311-203	<b>730561</b>	1
<b>3P+N</b>	NH 000 - NH 00 Yellow label, according to DIN VDE 0113 Teil 1	32	D/062411-233	<b>731021</b>	1
		63	D/062411-263	<b>731023</b>	1
		125	D/062411-203	<b>730577</b>	1

### Accessories



Direct handles		
D/062910-251	<b>731436</b>	1
Low grey		
D/062910-253	<b>731437</b>	1
Low red		

#### Handles for inner door

Reduced height 55 mm  
 With extension shaft 300 mm  
 P65 - Padlockable

D/062927-202	<b>731056</b>	1
Black		
D/062927-203	<b>731351</b>	1
Red/yellow		



## Accessories Fulos 000 (continued)



**Handles for cover or hinged door**  
 IP65 - Padlockable - Defeat  
 With extension shaft 300 mm (8/8)

D/062920-201	730661	1
Black		
D/062920-203	730662	1
Red/yellow		
D/062920-221	730663	1
Black and keylockable (Keylock not included)		
D/062920-223	730664	1
Red/yellow and keylockable (Keylock not included)		
D/062920-281	730853	1
Special set for disconnecter with neutral on the right, black		
D/062920-283	730854	1
Special set for disconnecter with neutral on the right, red/yellow		

### Changeover system (I-O-II)

With extension shaft 300 mm,  
 padlockable handle, gasket, flange  
 and template IP65 - Defeat

D/062910-205	730655	1
With grey handle		
D/062910-207	731347	1
With red/yellow handle		
As above but with handle 55 mm height for inner door		
D/062927-265	731453	1
With black handle IP65		
D/062927-267	731552	1
With red/yellow handle		



### 6P/8P-system (I-O)

With extension shaft 300 mm,  
 handle, gasket, flange and template  
 IP65 - defeat

D/062910-206	730656	1
With grey handle		



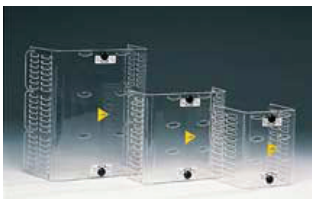
### Keylock

D/769080-000	769080	1
Plug-in for handles (Ronis 1104)		

### Standard auxiliary contacts

To be added on the side

D/061901-001	730252	1
1P CO		
D/061901-002	730253	1
2P CO		



### Fuse protection cover

D/062912-225	730614	1
3P		

### Anticipated auxiliary contacts

(early make and early break)  
 To be mounted inside

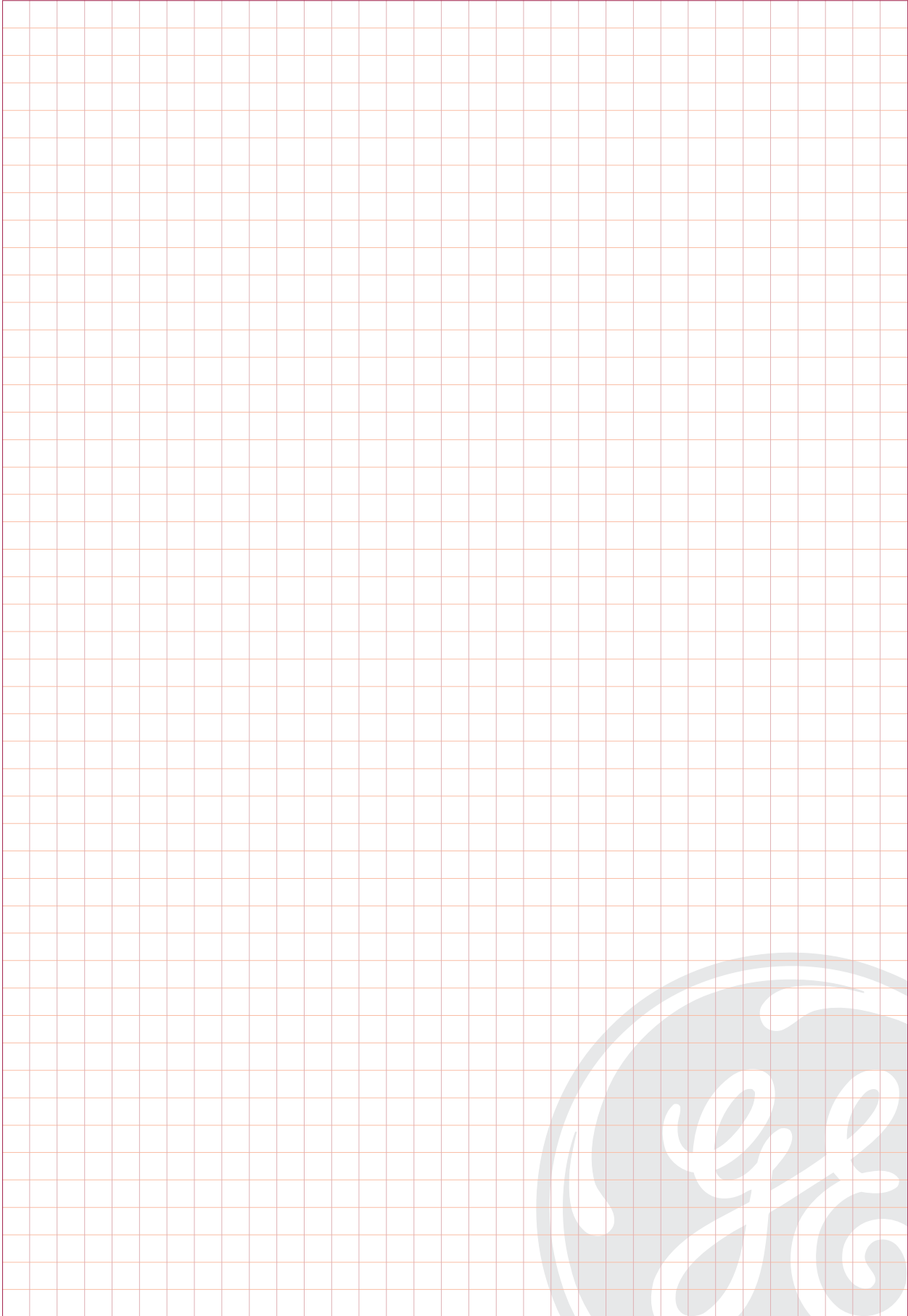
D/062911-201	730608	1
1CO		
D/062911-202	730609	1
2 CO		



### Inbus key

D/061000-097	730000	1
Insulated S5 - L = 200 mm		

Notes





## Fused loadbreak disconnectors



**Fulos 00 DIN - 160A**  
**Fulos 00 BS - 200A**



Order codes

### Applications



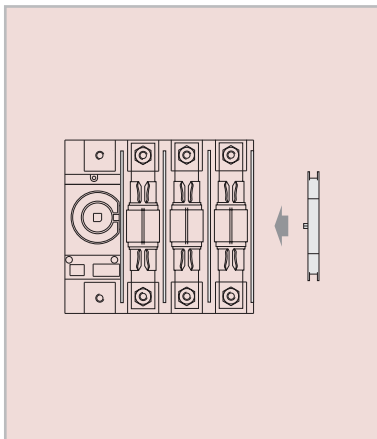
### Performance

- Panel mounting
- Fused safety disconnector (main disconnector)
- Disconnect function
- Visible contact indication - transparent cover
- Quick make and quick break mechanism
- Independent opening and closing
- Positive contact indication (PCI)
- Very low power losses
- Fuse completely disconnected in "OFF"
- Defeat mechanism rotary handle
- Double knife contacts - high short-circuit resistance
- Number of poles 3P - 4P

### Approvals / Marking



### Add-on devices



### Standards

#### For disconnectors

IEC 60947-1 and IEC 60947-3, DIN VDE 0660 Teil 107, BS EN 60947-3, CEI 17-11 (Fasc. 1039), EN 60947-3, NBN EN 60947-3, NF C 63-130

Safety disconnector (red/yellow) according to DIN VDE 0113 Teil 1

#### For fuses

IEC 60269-2-1, BS 88 Part 2 1988, DIN VDE 0636 Teil 1, NF EN 60269-1, NF C 63-211, NF C 63-210

### Technical data

	DIN 00	BS A4
Rated thermal current	160A	200A
Rated operational voltage Ue	690V	690V
Rated insulation voltage Ui	1000V	1000V
Rated short-circuit current	100kA	100kA
Terminal capacity (Cu)	30 x 6 mm <sup>2</sup>	30 x 6 mm <sup>2</sup>

- Technical data ● pg. D.58
- Installation facilities ● pg. D.63
- Dimensions ● pg. D.66



### FULOS 00 - Fused loadbreak disconnectors

According to DIN



3P  
3P+N  
3P+NF

Description	In (A)	Cat. no.	Ref. no.	Pack.
NH 00	160	D/062321-201	<b>730563</b>	1
NH 00	160	D/062421-201	<b>730579</b>	1
NH 00	160	D/062521-201	<b>730595</b>	1

According to BS



3P  
3P+N  
3P+NF

BS A4 (TCP Ø 26 - 690V)	100	D/062322-241	<b>730822</b>	1
	200	D/062322-242	<b>731925</b>	1
BS A4 (TCP Ø 26 - 690V)	100	D/062422-241	<b>730834</b>	1
	200	D/062422-242	<b>731927</b>	1
BS A4 (TCP Ø 26 - 690V)	100	D/062522-241	<b>730846</b>	1
	200	D/062522-242	<b>731929</b>	1

### FULOS 00 - Safety fused loadbreak disconnecter

According to DIN



3P  
3P+N

Description	In (A)	Cat. no.	Ref. no.	Pack.
NH 00 - yellow label, according to DIN VDE 0113 Teil 1	160	D/062321-203	<b>730564</b>	1
NH 00 - yellow label, according to DIN VDE 0113 Teil 1	160	D/062421-203	<b>730580</b>	1

### Accessories



#### Direct handles

D/062910-251	<b>731436</b>	1
Low grey		
D/062910-253	<b>731437</b>	1
Low red		



#### Handles for inner door

Reduced height 55 mm height  
With extension shaft 300 mm  
IP65 - padlockable

D/062927-202	<b>731056</b>	1
Black		
D/062927-203	<b>731351</b>	1
Red/yellow		



#### Keylock

D/769080-000	<b>769080</b>	1
Plug-in for handles (Ronis 1104)		

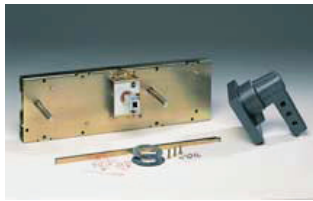
#### Handles for cover or hinged door

IP65 - Defeat - Padlockable  
With extension shaft 300 mm (8/8)

D/062920-201	<b>730661</b>	1
Black		
D/062920-203	<b>730662</b>	1
Red/yellow		
D/062920-221	<b>730663</b>	1
Black and keylockable (Keylock Ronis 1104 not included)		
D/062920-223	<b>730664</b>	1
Red/yellow and keylockable (Keylock Ronis 1104 not included)		
D/062920-281	<b>730853</b>	1
Special set for disconnector with neutral on the right, black		
D/062920-283	<b>730854</b>	1
Special set for disconnector with neutral on the right, red/yellow		



## Accessories Fulos 00 (continued)



### Changeover system (I-O-II)

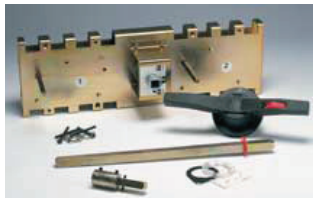
With extension shaft 300 mm, padlockable handle, gasket, flange and template IP65 - Defeat

D/062920-265 730665 1

With grey handle

D/062920-267 731348 1

With red/yellow handle



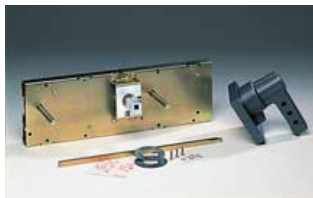
As above but with handle 55 mm height for inner door

D/062937-265 731455 1

With black handle

D/062937-267 731554 1

With red/yellow handle



### 6P/8P-system (I-O)

With extension shaft 300 mm, padlockable handle, gasket, flange and template IP65 - Defeat

D/062920-266 730666 1

With grey handle



### Standard auxiliary contacts

To be added on one side

D/061901-001 730252 1

1P CO

D/061901-002 730253 1

2P CO



### Anticipated auxiliary contacts

(early make and early break)  
To be mounted inside

D/062921-201 730610 1

1CO

D/062921-202 730611 1

2 CO



### Rear connection with cover

D/062922-253 730629 1

Set of 3 pieces

D/062922-254 730630 1

Set of 4 pieces



### Inbus key

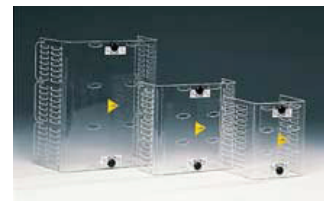
D/061000-097 730000 1

Insulated S5 - L = 200 mm

### Fuse protection cover

D/062922-225 730617 1

3P



### Terminals (Cu or Al 185 mm<sup>2</sup>)

D/062922-213 730627 1

Set of 3 V box terminals with cover

D/062922-214 730628 1

Set of 4 V box terminals with cover



D/062922-203 730625 1

Set of 3 terminals with cover

D/062922-204 730626 1

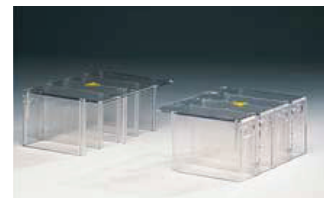
Set of 4 terminals with cover



### Terminal covers 4P

D/062922-220 730615 1

Set of 2 long terminal covers, boxed  
Sealable



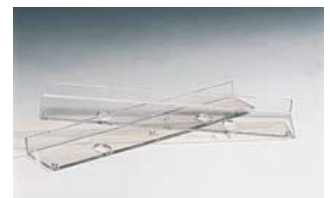
D/062922-226 731459 1

Set of 2 short box terminal covers,  
IP20 - sealable

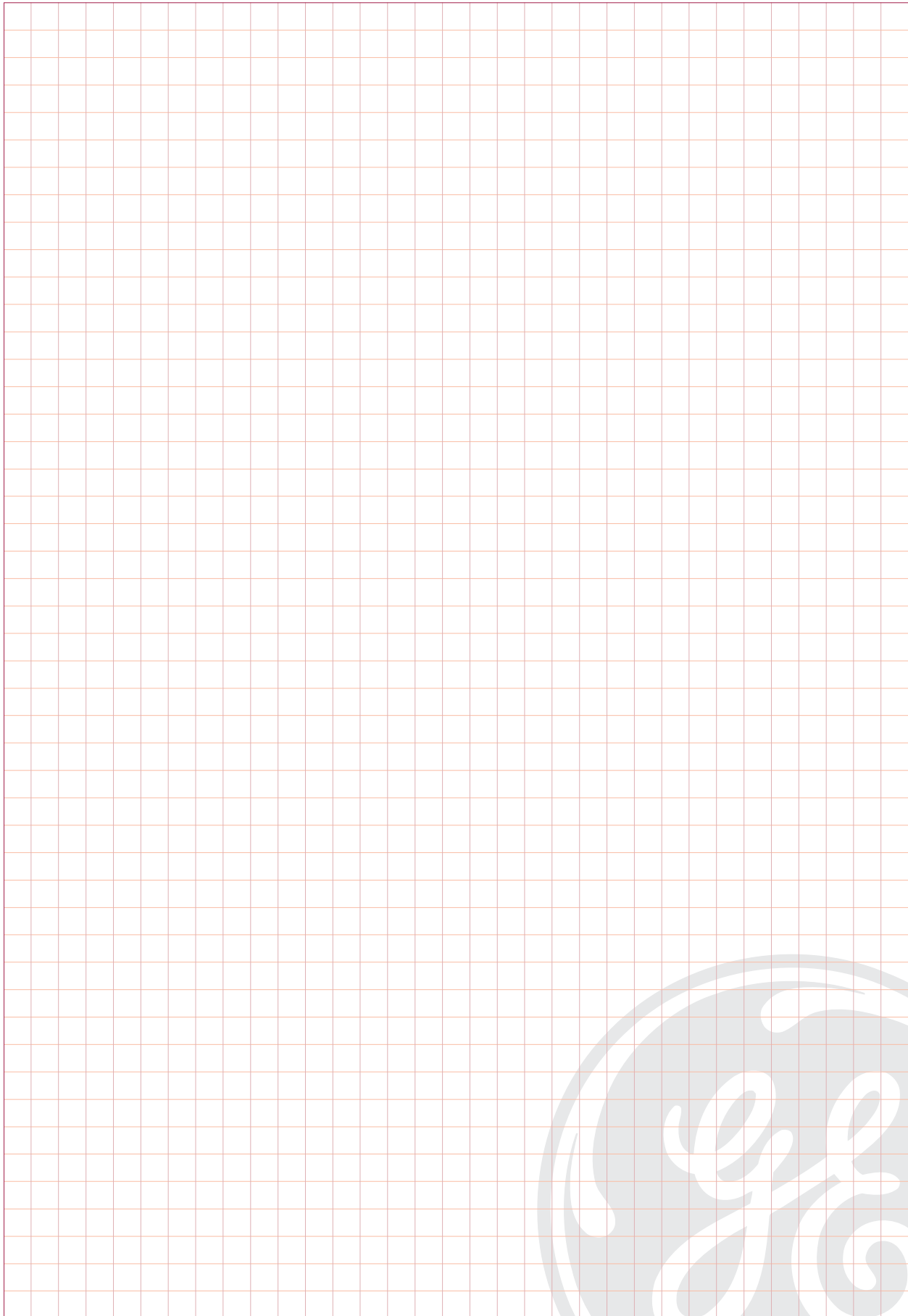


D/062922-221 730616 1

Set of 2 connection bolt covers



Notes



## Fused loadbreak disconnectors



- Fulos 1 DIN - 250A**
- Fulos 2 DIN - 400A**
- Fulos 1 BS - 200A<sup>(1)</sup>**
- Fulos 2 BS - 400A**



Order codes

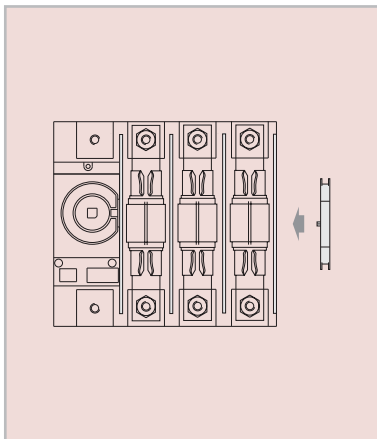
### Applications



### Approvals / Marking



### Add-on devices



### Performance

- Panel mounting
- Fused safety disconnector (main disconnector)
- Disconnect function
- Visible contact indication - transparent cover
- Quick make and quick break mechanism
- Independent opening and closing
- Positive contact indication (PCI)
- Very low power losses
- Fuse completely disconnected in "OFF"
- Defeat mechanism rotary handle
- Double knife contacts - high short-circuit resistance
- Number of poles 3P - 4P

### Standards

#### For disconnectors

- IEC 60947-1 and IEC 60947-3, DIN VDE 0660 Teil 107,
- BS EN 60947-3, CEI 17-11 (Fasc. 1039), EN 60947-3,
- NBN EN 60947-3, NF C 63-130
- Safety disconnector (red/yellow) according to DIN VDE 0113 Teil 1

#### For fuses

- IEC 60269-2-1, BS 88 Part 2 1988, DIN VDE 0636 Teil 1,
- NF EN 60269-1, NF C 63-211, NF C 63-210

### Technical data

	DIN 1/2 250A/400A	BS B1-B4 200A/400A
Rated thermal current	250A/400A	200A/400A
Rated operational voltage Ue	690V	690V
Rated insulation voltage Ui	1000V	1000V
Rated short-circuit current	100kA	100kA
Terminal capacity (Cu)	2x40x6	2x40x6

- Technical data ● pg. D.58
- Installation facilities ● pg. D.63
- Dimensions ● pg. D.66

(1) BS A4 GMTF - 415V - 400A



### FULOS 1 - Fused loadbreak disconnectors

According to DIN



	Description	In (A)	Cat. no.	Ref. no.	Pack.
3P	NH 1	250	D/062341-201	730569	1
3P+N	NH 1	250	D/062441-201	730585	1
3P+NF	NH 1 - Fixed neutral	250	D/062541-201	730601	1

According to BS



3P	BS B1-B2 (TC / TF Ø 33.7 - 690V)	200	D/062342-221	730823	1
	BS B4 (GMTF Ø 40.4 - 415V)	400	D/062342-222	731931	1
3P+N	BS B1-B2 (TC / TF Ø 33.7 - 690V)	200	D/062442-221	730835	1
	BS B4 (GMTF Ø 40.4 - 415V)	400	D/062442-222	731933	1
3P+NF	BS B1-B2 (TC / TF Ø 33.7 - 690V)	200	D/062542-221	730847	1
	BS B4 (GMTF Ø 40.4 - 415V) Fixed neutral	400	D/062542-222	731935	1

### FULOS 1 - Safety fused loadbreak disconnectors

According to DIN



	Description	In (A)	Cat. no.	Ref. no.	Pack.
3P	NH 1 - with yellow label, acc. DIN VDE 0113 Teil 1	250	D/062341-203	730570	1
3P+N	NH 1 - with yellow label, acc. DIN VDE 0113 Teil 1	250	D/062441-203	730586	1

### Accessories



Direct handles		
D/062930-251	731420	1
Low grey		
D/062930-253	731421	1
Low red		

Handles for inner door		
IP65 - With extension shaft 300 mm Reduced height 55 mm - Padlockable		
D/062947-202	731352	1
Black		
D/062947-203	731353	1
Red/yellow		



Handles for cover or hinged door		
IP54 - Defeat - Padlockable With extension shaft 300 mm (14/14)		
D/062940-241	730667	1
Grey		
D/062940-243	730668	1
Red/yellow		
D/062940-281	730855	1
Special set for disconnector with neutral on the right - grey		

Changeover system (I-O-II)		
With extension shaft 300 mm, padlockable handle, gasket, flange and template Padlockable		
D/062940-265	730669	1
With handle IP54 - Defeat mechanism		
As above but with handle 55 mm height for inner door		
D/062947-265	731457	1
With black handle IP65		



## Accessories Fulos 1 (continued)



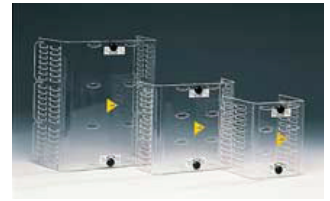
### Standard auxiliary contacts

To be added on the side

D/061901-001	730252	1
1P CO		
D/061901-002	730253	1
2P CO		

### Fuse protection cover

D/062942-225	730620	1
3P		



### Anticipated auxiliary contacts

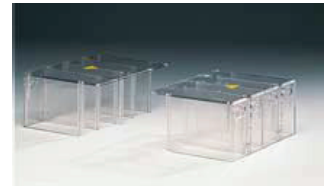
(early make and early break)

To be mounted inside

P9B10VN	187002	1
1P NO		
P9B01VR	187003	1
1P NC		

### Terminal covers - 4P

D/062942-220	730618	1
Set of 2 long box terminal covers		

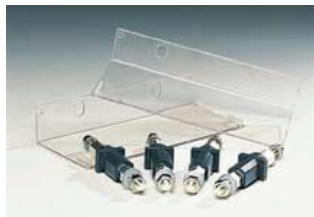


### Terminals (Cu or Al 240 mm<sup>2</sup>)

D/062942-213	730633	1
Set of 3 V box terminals with cover		
D/062942-214	730634	1
Set of 4 V box terminals with cover		

D/062942-226	731461	1
Set of 2 short box terminal covers		

IP20 - sealable



### Rear connections with cover

D/062942-253	730635	1
Set of 3 pieces		
D/062942-254	730636	1
Set of 4 pieces		

D/062942-221	730619	1
Set of 2 connection bolt covers - boxed		



## FULOS 2 - Fused loadbreak disconnectors

According to DIN



3P  
3P+N  
3P+NF

Description	In (A)	Cat. no.	Ref. no.	Pack.
NH 2	400	D/062351-201	730572	1
NH 2	400	D/062451-201	730588	1
NH 2	400	D/062551-201	730604	1

According to BS



3P  
3P+N  
3P+NF

BS B3-B4 (TKF / TMF - 690V)	400	D/062352-241	730824	1
BS B3-B4 (TKF / TMF - 690V)	400	D/062452-241	730836	1
BS B3-B4 (TKF / TMF - 690V)	400	D/062552-241	730848	1

## Accessories Fulos 2



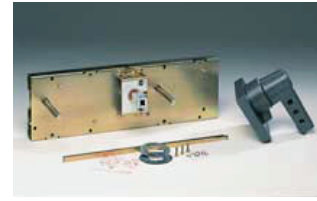
### Direct handles

D/062930-251	731420	1
Low grey		

### Changeover system (I-O-II)

With extension shaft 300 mm, padlockable handle, gasket, flange and template  
Padlockable

D/062940-265	730669	1
With handle IP54 - defeat		



**Handles for cover or hinged door**  
IP54 - Defeat - Padlockable  
With extension shaft 300 mm (14/14)

D/062940-241	730667	1
Grey		

As above but with handle 55 mm height for inner door

D/062947-265	731457	1
With black handle IP65		



**Handles for inner door**  
IP65 - Padlockable

D/062947-202	731352	1
Black, reduced height 55 mm		

With extension shaft 300 mm

### Terminals (Cu or Al 240 mm<sup>2</sup>)

D/062942-213	730633	1
Set of 3 box terminals with cover		

D/062942-214	730634	1
Set of 4 box terminals with cover		



**Standard auxiliary contacts**  
To be added on one side

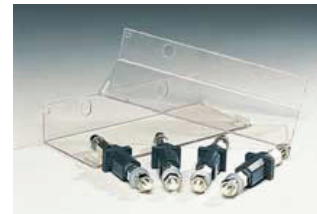
D/061901-001	730252	1
1P CO		

D/061901-002	730253	1
2P CO		

### Rear connections with cover

D/062942-253	730635	1
Set of 3 pieces		

D/062942-254	730636	1
Set of 4 pieces		



**Anticipated auxiliary contacts**  
(early make and early break)  
To be mounted inside

P9B10VN	187002	1
1P NO		

P9B01VR	187003	1
1P NC		

### Terminal covers - 4P

D/062942-220	730618	1
Set of 2 long box terminal covers		



### Fuse protection cover

D/062942-225	730620	1
3P		

D/062942-226	731461	1
Set of 2 short box terminal covers IP20 - sealable		



D/062942-221	730619	1
Set of 2 connection bolt covers		





## Fused loadbreak disconnectors for panel mounting

**Fulos 3S DIN - 630A**  
**Fulos 3S BS - 800A**



Order codes

### Applications



### Approvals / Marking



### Performance

- Panel mounting
- Fused safety disconnector (main disconnector)
- Disconnect function
- Visible contact indication
- Quick make and quick break mechanism
- Independent opening and closing
- Positive contact indication (PCI)
- Very low power losses
- Fuse completely disconnected in "OFF"
- Defeat mechanism rotary handle
- Double knife contacts - high short-circuit resistance
- Number of poles 3P - 4P

### Standards

#### For disconnectors

IEC 60947-1 and IEC 60947-3, DIN VDE 0660 Teil 107, DIN VDE 0113 Teil 1, BS EN 60947-3, CEI 17-11 (Fasc. 1039), EN 60947-3, NBN EN 60947-3, NF C 63-130

#### For fuses

IEC 60269-2-1, BS 88 Part 2 1988, DIN VDE 0636 Teil 1, NF EN 60269-1, NF C 63-211, NF C 63-210

### Technical data

	DIN 3	BS C1-C2-C3
Rated thermal current	630A	630A/800A
Rated operational voltage Ue	690V	690V
Rated insulation voltage Ui	1000V	1000V
Rated short-circuit current	100kA	100kA
Terminal capacity (Cu)	2x40x6	2x40x6

- Fused disconnectors and disconn. with tripping device ● pg. D.44
- Motorised disconn. and motorised changeover disconnectors ● pg. D.46
- Manual changeover disconn. ● pg. D.50
- 6P disconnectors ● pg. D.50

- Technical data ● pg. D.58
- Dimensions ● pg. D.70



## FULOS 3S - Fused loadbreak disconnectors

According to DIN



3P  
3P+N

Description	In (A)	Cat. no.	Ref. no.	Pack.
NH 3	630	D/662361-231	<b>731815</b>	1
NH 3	630	D/662461-231	<b>731845</b>	1

According to BS



3P  
3P+N

BS C1-C2 (TM / TTM - 690V)	630	D/662362-231	<b>731825</b>	1
BS C3 (TLM - 690V)	800	D/662363-231	<b>731835</b>	1
BS C1-C2 (TM / TTM - 690V)	630	D/662462-231	<b>731855</b>	1
BS C3 (TLM - 690V)	800	D/662463-231	<b>731865</b>	1

## Accessories



### Single handles

D/662970-231	<b>731903</b>	1
--------------	---------------	---

Direct black with fuse cover (3P)



D/662960-231	<b>731882</b>	1
--------------	---------------	---

Black with extension shaft (300 mm - 12x12 mm) for door mounting - IP65 - Padlockable in OFF position (3 padlocks 6.3 mm) - keylockable (Keylock not included)



D/662960-232	<b>731883</b>	1
--------------	---------------	---

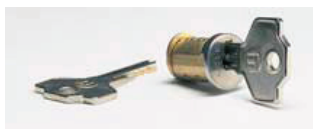
Black with extension shaft (300 mm - 12x12 mm) for door mounting - IP65 - Padlockable in OFF position (3 padlocks 6.3 mm) with defeat mechanism - keylockable (Keylock not included)



### Extension shaft

D/662960-200	<b>731881</b>	1
--------------	---------------	---

200 mm



### Keylock

D/062960-240	<b>730857</b>	1
--------------	---------------	---

Plug-in, Fiat key (code H235)  
Lockable in OFF  
Key removable in OFF position



### Padlock system

D/661960-245	<b>731787</b>	1
--------------	---------------	---

For direct handle

### Covers - transparent

D/662962-223	<b>731895</b>	1
--------------	---------------	---

1 upper box terminal cover



D/662962-224	<b>731896</b>	1
--------------	---------------	---

1 lower box terminal cover



D/662962-225	<b>731897</b>	1
--------------	---------------	---

Sealable fuse cover (3P)



### Connection set

D/662972-229	<b>731906</b>	1
--------------	---------------	---

For fuse detection



### Auxiliary contacts (CO)

D/661971-201	<b>731794</b>	1
--------------	---------------	---

1NO+1NC



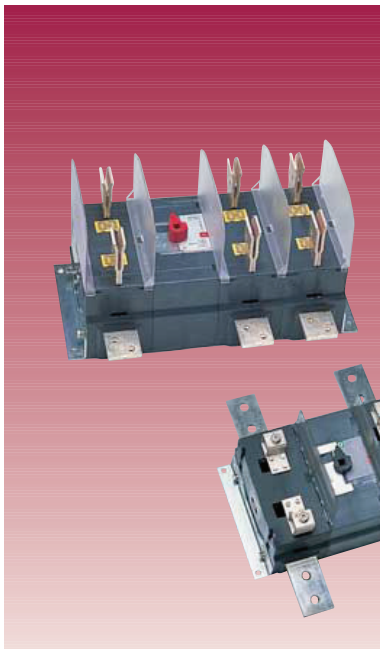
D/661971-202	<b>731795</b>	1
--------------	---------------	---

2NO+2NC



Technical data, see page B.16

## Fused loadbreak disconnectors for panel mounting



**Fulos 4 DIN - 800/1000A**  
**Fulos 4 BS - 1250A**



Order codes

### Applications



### Approvals / Marking



### Performance

- Panel mounting
- Fused safety disconnector (main disconnector)
- Disconnect function
- Visible contact indication
- Quick make and quick break mechanism
- Independent opening and closing
- Positive contact indication (PCI)
- Very low power losses
- Fuse completely disconnected in "OFF"
- Defeat mechanism rotary handle
- Double knife contacts - high short-circuit resistance
- Number of poles 3P - 4P

### Standards

#### For disconnectors

IEC 60947-1 and IEC 60947-3, DIN VDE 0660 Teil 107, DIN VDE 0113 Teil 1, BS EN 60947-3, CEI 17-11 (Fasc. 1039), EN 60947-3, NBN EN 60947-3, NF C 63-130

#### For fuses

IEC 60269-2-1, BS 88 Part 2 1988, DIN VDE 0636 Teil 1, NF EN 60269-1, NF C 63-211, NF C 63-210

### Technical data

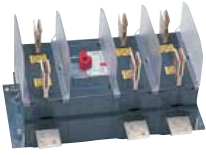
	DIN 4D	BS D1
Rated thermal current	800A/1000A	1250A
Rated operational voltage Ue	690V	690V
Rated insulation voltage Ui	1000V	1000V
Rated short-circuit current	100kA	100kA
Terminal capacity (Cu)	2x50x6 Cu	2x50x6 Cu

Technical data ● pg. D.58  
 Dimensions ● pg. D.71



## FULOS 4 - Fused loadbreak disconnectors

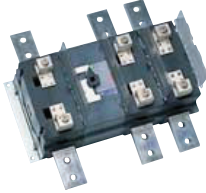
### According to DIN



**3P**  
**3P+N**

Description	In (A)	Cat. no.	Ref. no.	Pack.
NH 4D	1000	D/062371-201	<b>730773</b>	1
NH 4D	1000	D/062471-201	<b>730777</b>	1

### According to BS



**3P**  
**3P+N**

BS D1 (TLU / TXU - 690V)	1250	D/062372-211	<b>730827</b>	1
BS D1 (TLU / TXU - 690V)	1250	D/062472-211	<b>730839</b>	1

## Accessories



### Double handles

D/061980-271	<b>730975</b>	1
--------------	---------------	---

Direct black



D/062970-261	<b>730865</b>	1
--------------	---------------	---

Black with extension shaft (300 mm - 12x12 mm) for door mounting - IP65 - Padlockable in OFF position (3 padlocks 6.3 mm) standard with defeat mechanism and keylockable (Keylock not included)



### Keylock

D/062960-240	<b>730857</b>	1
--------------	---------------	---

Plug-in, Fiat key (code H235)  
Lockable in OFF position  
Key removable in OFF position

### Fuse protection cover

D/062972-225	<b>730869</b>	1
--------------	---------------	---

Transparent (1 pole)



### Connection set

D/662972-229	<b>731906</b>	1
--------------	---------------	---

For fuse detection



### Auxiliary contacts (CO)

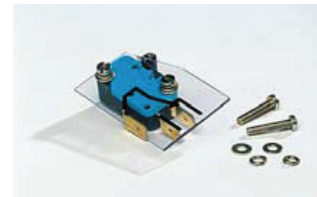
D/062961-201	<b>730860</b>	1
--------------	---------------	---

1NO+1NC

D/062961-202	<b>730861</b>	1
--------------	---------------	---

2NO+2NC

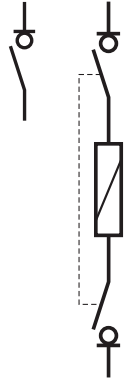
Technical data, see page D.20





## Fused and loadbreak disconnectors - 50kA with tripping device - BA (bell alarm)

**Dilos BA 800A up to 2000A**  
**Fulos BA 630A - 800A**



### Applications



### Approvals / Marking



### Performance

- Panel mounting
- Safety disconnecter (main disconnecter)
- Disconnect function
- With tripping device (bell alarm)
- Visible contact indication - transparent cover
- Quick make and quick break mechanism
- Independent opening and closing
- Positive contact indication (PCI)
- Double knife contacts - high short-circuit resistance
- Number of poles 3P - 4P

### Standards

IEC 60947-1 and IEC 60947-3, DIN VDE 0660 Teil 107, BS EN 60947-3, CEI 17-11 (Fasc. 1039), EN 60947-3, NBN EN 60947-3, NF C 63-130

### Function

Manual operated disconnectors with bell alarm (BA) are supplied with a remote tripping device by means of a current coil. A push-button on the board or operated remotely allows switching off. Standard with auxiliary signal contact. The standard coil voltage is 230Vac.

Technical data ● pg. D.56/D.58  
Dimensions ● pg. D.72/D.73

**On request:**  
**Coil voltage 24Vdc - 400Vac - 110Vac**



### DILOS 6S BA - Loadbreak disconnectors



	Description	In (A)	Cat. no.	Ref. no.	Pack.
3P	With door interlock handle IP65 and transparent main contact cover shield	800	D/661365-273	<b>731574</b>	1
		1000	D/661366-273	<b>731588</b>	1
		1250	D/661367-273	<b>731606</b>	1
4P	With door interlock handle IP65 and transparent main contact cover shield	800	D/661465-273	<b>731667</b>	1
		1000	D/661466-273	<b>731681</b>	1
		1250	D/661467-273	<b>731695</b>	1

### DILOS 7S BA - Loadbreak disconnectors

	Description	In (A)	Cat. no.	Ref. no.	Pack.
3P	With door interlock handle IP65 and transparent main contact cover shield	1600	D/661371-273	<b>731621</b>	1
4P	With door interlock handle IP65 and transparent main contact cover shield	1600	D/661471-273	<b>731709</b>	1

### DILOS 8S BA - Loadbreak disconnectors

	Description	In (A)	Cat. no.	Ref. no.	Pack.
3P	With door interlock handle IP65 and transparent main contact cover shield	2000	D/661382-273	<b>731637</b>	1
4P	With door interlock handle IP65 and transparent main contact cover shield	2000	D/661482-273	<b>731721</b>	1

### FULOS 3S BA - Fused loadbreak disconnectors



According to DIN

	Description	In (A)	Cat. no.	Ref. no.	Pack.
3P	NH 3 - With door interlock handle IP65 and transparent main contact cover shield	630	D/662361-273	<b>731818</b>	1
3P+N	NH 3 - With door interlock handle IP65 and transparent main contact cover shield	630	D/662461-273	<b>731848</b>	1

According to BS

	Description	In (A)	Cat. no.	Ref. no.	Pack.
3P	With door interlock handle IP65 and transp. main contact cover shield				
	BS C1-C2 (TM / TTM - 690V)	630	D/662362-273	<b>731828</b>	1
3P+N	BS C1-C2 (TM / TTM - 690V)	630	D/662462-273	<b>731858</b>	1
	BS C3 (TLM / 690V)	800	D/662363-273	<b>731838</b>	1
3P+N	BS C1-C2 (TM / TTM - 690V)	630	D/662462-273	<b>731858</b>	1
	BS C3 (TLM / 690V)	800	D/662463-273	<b>731868</b>	1

### Accessories



Keylock			
D/062960-240	<b>730857</b>		1
Plug-in, Fiat key (code H235)			
Lockable in OFF			
Key removable in OFF position			

Terminal covers - transparent			
D/662962-223	<b>731895</b>		1
1 upper box terminal cover for Dilos 6S and Fulos 3S			



D/662962-224	<b>731896</b>		1
1 lower box terminal cover for Dilos 6S and Fulos 3S			

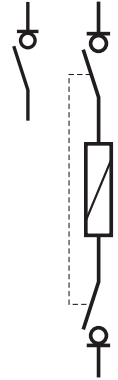


## **Motorised fused and loadbreak disconnectors (MO) - 50kA** **Motorised changeover loadbreak disconnectors (CO-MO) - 50kA**



**Dilos MO 800A up to 3150A**  
**Fulos 3S MO 630A/800A**

**CO-Dilos 6S MO - 800A - 1250A**  
**CO-Dilos 7S MO - 1600A**  
**CO-Dilos 8S MO - 2000A/2500A**



### Applications



### Approvals / Marking



### Performance

- Panel mounting
- Safety disconnector (main disconnector)
- Disconnect function
- Visible contact indication - transparent cover
- Quick make and quick break mechanism
- Independent opening and closing
- Positive contact indication (PCI)
- Double knife contacts - high short-circuit resistance
- Padlockable with 3 padlocks (motorised and manual operation are inhibited)
- Motorised or manual operation (always with a spare handle) by selection with a key lock (only one operation possible)
- Indication 0-I and I-0-II by led
- Indication 0-I and I-0-II operated remotely by auxiliary contacts
- Motor ratings: 110Vac, 230Vac, 380Vac and 24Vdc
- Switching time: closing (0 to I) and opening (I to 0) = 1.5 s.
- Number of poles 3P - 4P
- Fulos 3S for DIN or BS fuses

### Standards

IEC 60947-1 and IEC 60947-3, DIN VDE 0660 Teil 107,  
 DIN VDE 0113 Teil 1, BS EN 60947-3, CEI 17-11 (Fasc. 1039),  
 EN 60947-3, NBN EN 60947-3, NF C 63-130

### Consumption

Voltage	24Vdc	60Vdc	230Vac	220/380Vac
Start	120VA	135VA	80W	35W
Nominal	70VA	78VA	20W	24W

Technical data ● pg. D.56/D.58  
 Dimensions ● pg. D.74/D.77

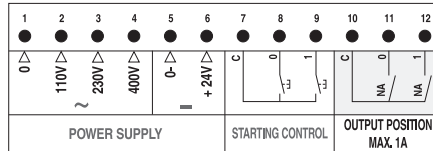
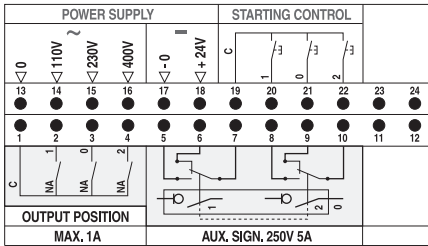




## Terminal board diagram

Terminal board diagram connections are done by terminal (MO) or by connector (CO-MO) with following terminals:

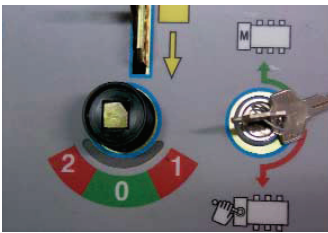
- power supply
- start push-buttons
- indication of the changeover position (I-0-II) or 0-I for the disconnector
- auxiliary changeover signal contacts



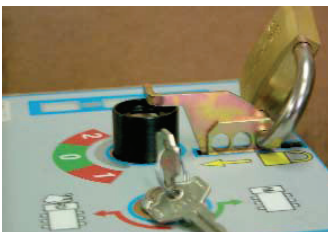
MO diagram

CO-MO diagram

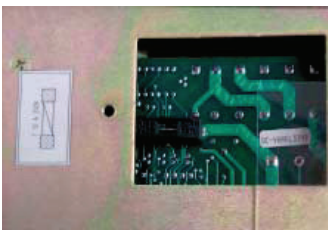
## Operating instructions



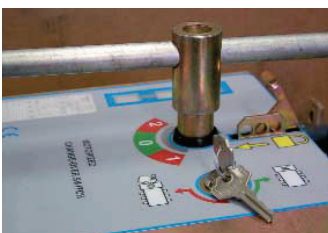
By rotating the key to the manual position, it is possible to operate manually through the handle, at the same time the electrical operation is inhibited. During manual operation, the display will continue to show the different changeover positions (I-0-II).



It is possible to fit in the proper padlocking device up to three padlocks. When padlocked, both manual and electrical operations are inhibited.



On the side of the housing is the fuse space. In case of fuse blow-out, the led corresponding to the fuse to be replaced lights up.



Handle for manual operation with sliding handgrip. To be stored near the disconnector.



## DILOS 6S MO - Loadbreak disconnectors



	Description	In (A)	Cat. no.	Ref. no.	Pack.
3P	With transparent main contact cover shield and spare handle	800	D/661365-281	731575	1
		1000	D/661366-281	731589	1
		1250	D/661367-281	731607	1
4P	With transparent main contact cover shield and spare handle	800	D/661465-281	731668	1
		1000	D/661466-281	731682	1
		1250	D/661467-281	731696	1

## DILOS 7S MO - Loadbreak disconnectors

	Description	In (A)	Cat. no.	Ref. no.	Pack.
3P	With transparent main contact cover shield and spare handle	1600	D/661371-281	731622	1
4P	With transparent main contact cover shield and spare handle	1600	D/661471-281	731711	1

## DILOS 8S MO - Loadbreak disconnectors

	Description	In (A)	Cat. no.	Ref. no.	Pack.
3P	With transparent main contact cover shield and spare handle	2000	D/661382-281	731638	1
		2500	D/661385-281	731648	1
4P	With transparent main contact cover shield and spare handle	2000	D/661482-281	731723	1
		2500	D/661485-281	731729	1

## DILOS 9S MO - Loadbreak disconnectors

	Description	In (A)	Cat. no.	Ref. no.	Pack.
3P	With transparent main contact cover shield and spare handle	3150	D/661393-281	731656	1
3P+N 50%	With transparent main contact cover shield and spare handle	3150	D/661793-281	731773	1

## FULOS 3S MO - Fused loadbreak disconnectors

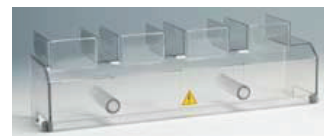
	Description	In (A)	Cat. no.	Ref. no.	Pack.
<b>According to DIN</b>					
3P	NH 3 - With spare handle and cover shield	630	D/662361-281	731819	1
3P+N	NH 3 - With spare handle and cover shield	630	D/662461-281	731849	1
<b>According to BS</b>					
3P	BS C1-C2 (TM / TTM - 690V) - With spare handle and cover shield	630	D/662362-281	731829	1
	BS C3 (TLM - 690V) - With spare handle and cover shield	800	D/662363-281	731839	1
3P+N	BS C1-C2 (TM / TTM - 690V) - With spare handle and cover shield	630	D/662462-281	731859	1
	BS C3 (TLM - 690V) - With spare handle and cover shield	800	D/662463-281	731869	1

## Accessories



Terminal cover - transparent		
D/662962-223	731895	1
1 upper box terminal cover		

Terminal cover - transparent		
D/662962-224	731896	1
1 lower box terminal cover		



**CO-DILOS 6S MO - Changeover loadbreak disconnectors**



	Description	In (A)	Cat. no.	Ref. no.	Pack.
3P	With transparent main contact cover shield and spare handle	800	D/661365-285	<b>731576</b>	1
		1000	D/661366-285	<b>731590</b>	1
		1250	D/661367-285	<b>731608</b>	1
4P	With transparent main contact cover shield and spare handle	800	D/661465-285	<b>731669</b>	1
		1000	D/661466-285	<b>731683</b>	1
		1250	D/661467-285	<b>731697</b>	1

**CO-DILOS 7S MO - Changeover loadbreak disconnectors**

	Description	In (A)	Cat. no.	Ref. no.	Pack.
3P	With transparent main contact cover shield and spare handle	1600	D/661371-285	<b>731625</b>	1
4P	With transparent main contact cover shield and spare handle	1600	D/661471-285	<b>731712</b>	1

**CO-DILOS 8S MO - Changeover loadbreak disconnectors**

	Description	In (A)	Cat. no.	Ref. no.	Pack.
3P	With transparent main contact cover shield and spare handle	2000	D/661382-285	<b>731639</b>	1
		2500	D/661385-285	<b>731649</b>	1
3P+N 50%	With transparent main contact cover shield and spare handle	2000	D/661782-285	<b>731756</b>	1
		2500	D/661785-285	<b>731763</b>	1

**Accessories for CO-Dilos 6S MO**

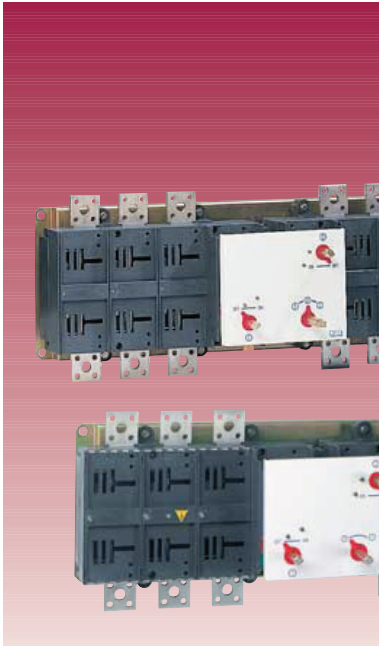


Terminal cover - transparent		
D/662962-223	<b>731895</b>	1
1 upper box terminal cover		

Terminal cover - transparent		
D/662962-224	<b>731896</b>	1
1 lower box terminal cover		



## Manual changeover loadbreak disconnectors - 50kA 6P loadbreak disconnectors - 35kA



**CO-Dilos 6S - 800A up to 1250A**  
**CO-Dilos 7S - 1600A**  
**CO-Dilos 8S - 2000A/2500A**

**6P Dilos 6S - 800A up to 1250A**



Order codes

### Applications



### Approvals / Marking



### Performance

Panel mounting  
 Safety disconnector (main disconnector)  
 Disconnect function  
 Visible contact indication - transparent cover  
 Quick make and quick break mechanism  
 Independent opening and closing  
 Positive contact indication (PCI)  
 Double knife contacts - high short-circuit resistance  
 Number of poles 3P - 4P = changeover  
 6P = 6P Dilos

### Standards

IEC 60947-1 and IEC 60947-3, DIN VDE 0660 Teil 107,  
 DIN VDE 0113 Teil 1, BS EN 60947-3, CEI 17-11 (Fasc. 1039),  
 EN 60947-3, NBN EN 60947-3, NF C 63-130

Technical data ● pg. D.56  
 Dimensions ● pg. D.80/D.82

**On request:**  
**CO fused disconnectors**  
**CO disconnector 3150A**

### CO-DILOS 6S - Changeover loadbreak disconnectors



	Description	In (A)	Cat. no.	Ref. no.	Pack.
3P	With transparent main contact cover shield and door interlock handle - IP65	800	D/661365-255	<b>731572</b>	1
		1000	D/661366-255	<b>731586</b>	1
		1250	D/661367-255	<b>731602</b>	1
4P	With transparent main contact cover shield and door interlock handle - IP65	800	D/661465-255	<b>731665</b>	1
		1000	D/661466-255	<b>731679</b>	1
		1250	D/661467-255	<b>731693</b>	1

### CO-DILOS 7S - Changeover loadbreak disconnectors

	Description	In (A)	Cat. no.	Ref. no.	Pack.
3P	With transparent main contact cover shield and door interlock handle - IP65	1600	D/661371-255	<b>731619</b>	1
4P	With transparent main contact cover shield and door interlock handle - IP65	1600	D/661471-255	<b>731707</b>	1

### CO-DILOS 8S - Changeover loadbreak disconnectors

	Description	In (A)	Cat. no.	Ref. no.	Pack.
3P	With transparent main contact cover shield and door interlock handle - IP65	2000	D/661382-255	<b>731635</b>	1
		2500	D/661385-255	<b>731647</b>	1
3P+N 50%	With transparent main contact cover shield and door interlock handle - IP65	2000	D/661782-255	<b>731755</b>	1
		2500	D/661785-255	<b>731762</b>	1

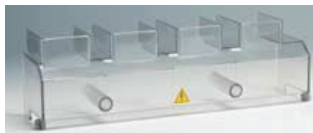
### Accessories



Extension shaft				
D/662960-200	<b>731881</b>	1		
200 mm				

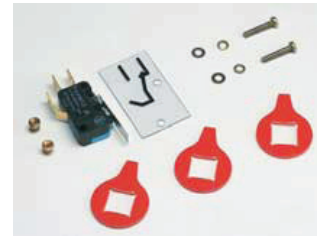


Terminal covers - transparent				
D/662962-223	<b>731895</b>	1		
1 upper box terminal cover for Dilos 6S				

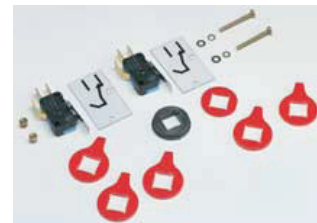


D/662962-224	<b>731896</b>	1		
1 lower box terminal cover for Dilos 6S				

Auxiliary contacts (CO)				
D/661971-201	<b>731794</b>	1		
1NO+1NC				



D/661971-202	<b>731795</b>	1		
2NO+2NC				



Technical data, see page D.20

## 6P DILOS 6S - Loadbreak disconnectors



6P

Description	In (A)	Cat. no.	Ref. no.	Pack.
With transparent main contact cover shield and door interlock handle - IP65	800	D/661665-231	<b>731745</b>	1
	1000	D/661666-231	<b>731747</b>	1
	1250	D/661667-231	<b>731749</b>	1

## Accessories

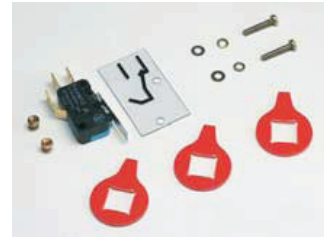


### Keylock

D/062960-240	<b>730857</b>	1
Plug-in, Fiat key (code H235)		
Lockable in OFF position		
Key removable in OFF position		

### Auxiliary contacts (CO)

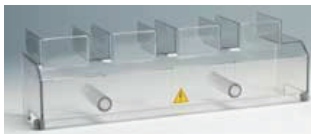
D/661971-201	<b>731794</b>	1
1NO+1NC		



### Terminal covers - transparent

D/662962-223	<b>731895</b>	1
1 upper box terminal cover		

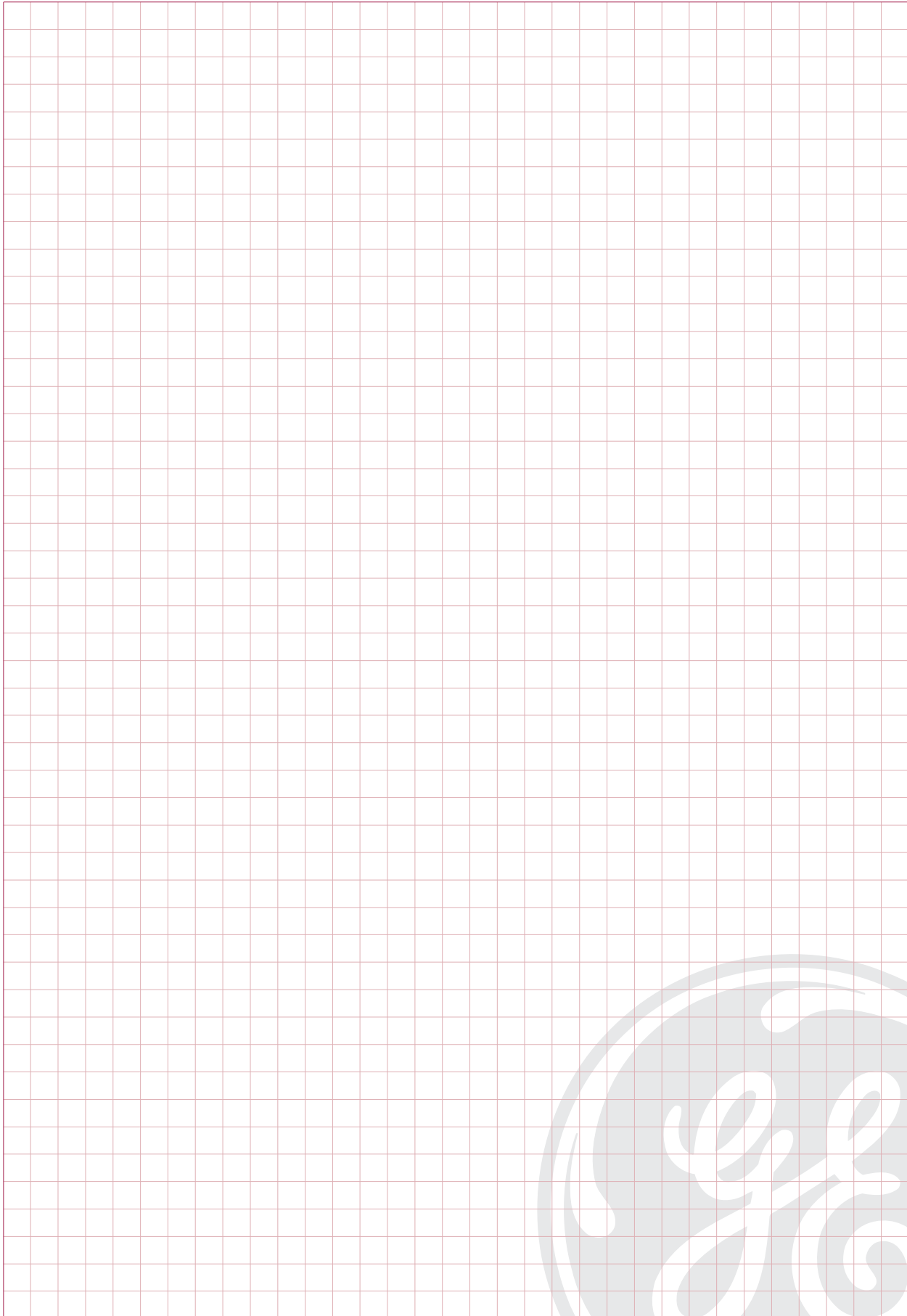
D/661971-202	<b>731795</b>	1
2NO+2NC		



D/662962-224	<b>731896</b>	1
1 lower box terminal cover		

Technical data, see page D.20

Notes



## DILOS - Loadbreak disconnectors for DIN-rail mounting

			Dilos 00	Dilos 00	Dilos 00	Dilos 00	Dilos 0
Conventional enclosed thermal current Ithe = Ith	(A)		16	25	32	40	32
Number of poles			3	3	3	3	2/3/4
Frequency	(Hz)		50/60	50/60	50/60	50/60	50/60
Rated thermal current at	40°C	(A)	16	25	32	40	32
	50°C	(A)	16	25	32	40	32
	60°C	(A)	16	25	32	40	32
Power loss per pole	(W)		0.12	0.35	0.6	1	0.6
Terminal capacity (Cu)	minimum	(mm <sup>2</sup> )	1.5	1.5	1.5	1.5	2.5
	maximum	(mm <sup>2</sup> )	16	16	16	16	25
Maximum torque on terminals	(Nm)		2.2	2.2	2.2	2.2	-
Rated operational voltage Ue	(V)		690	690	690	690	440
Rated insulation voltage Ui	(V)		690	690	690	690	440
Rated impulse withstand voltage (2000m) Uimp	(kV)		8	8	8	8	8
Impulse test voltage at sea level	(kV)		12.3	12.3	12.3	12.3	12.3
Rated operational current Ie AC21A	Ue=400V	(A)	16	25	32	40	32
	Ue=415V	(A)	16	25	32	40	32
	Ue=500V	(A)	16	25	32	40	-
	Ue=690V	(A)	16	25	32	40	-
Rated operational current Ie AC22A	Ue=400V	(A)	16	25	32	40	32
	Ue=415V	(A)	16	25	32	40	32
	Ue=500V	(A)	16	25	32	40	-
	Ue=690V	(A)	16	25	32	40	-
Rated operational current Ie AC23A	Ue=400V	(A)	16	25	32	40	32
	Ue=415V	(A)	16	25	32	40	32
	Ue=500V	(A)	16	25	32	40	-
	Ue=690V	(A)	16	25	25	25	-
Maximum rated operational power at rated duty AC23	Ue=400V	(kW)	7.5	7.5	11	11	17
	Ue=415V	(kW)	7.5	7.5	11	11	17
	Ue=500V	(kW)	7.5	7.5	11	15	-
	Ue=690V	(kW)	11	11	11	18.5	-
Rated making and breaking capacity at 415V AC23A	making	(A)	160	250	320	400	320
	breaking	(A)	128	200	256	320	256
Rated short time withstand current Icw	1 s.	(kA rms)	1	1	1.2	1.2	2.5
	0.25 s.	(kA rms)	-	-	-	-	-
Rated short-circuit making capacity Icm	Ue=400V	(kA peak)	4.5	4.5	4.5	4.5	6
	Ue=415V	(kA peak)	4.5	4.5	4.5	4.5	6
	Ue=500V	(kA peak)	3	3	3	3	-
	Ue=690V	(kA peak)	3	3	3	3	-
Peak short-circuit withstand current (kA rms)	(kA)		6	6	6	6	10
Rated conditional short-circuit current with back-up protection featuring the same current rating as the switch (kA rms)	400V	(kA)	50	50	50	50	15
	415V	(kA)	50	50	50	50	15
	500V	(kA)	50	50	50	50	-
	690V	(kA)	50	50	50	50	-
Rated capacity power at 400V	(kVAR)		-	-	-	-	-
Rated operational current DC23A	2P in series 110V	(A)	16	25	32	40	-
	2P in series 250V	(A)	16	25	-	-	-
	4P in series 250V	(A)	-	-	32	40	-
Operating torque	(Nm)		0.5	0.5	0.5	0.5	2.5
Force	(N)		-	-	-	-	50
Durability (number of operational cycles)	electrical		3000	3000	3000	3000	1000
	mechanical (min)		40000	40000	40000	40000	10000
UL listed following UL file E143291 (acc UL508)							
UL 508 General Use 480V	In	(A)	-	-	-	-	-
UL 508 Manual motor controller 480V	FLA	(A)	-	-	-	-	-
	Power	(HP)	-	-	-	-	-
UL short-circuit at 480V	K5fu	(kA)	-	-	-	-	-
	UL J-fuses	(kA)	-	-	-	-	-
Weight	2P	(kg)	0.125	0.125	0.125	0.125	0.27
	3P	(kg)	0.125	0.125	0.125	0.125	0.29
	4P	(kg)	0.170	0.170	0.170	0.170	0.33



Dilos 0	Dilos 0	Dilos 1	Dilos 1	Dilos 1	Dilos 1	Dilos 1	Dilos 2	Dilos 2
40	63	40	63	80	100	125	160	200
2/3/4	2/3/4	2/3/4	2/3/4	2/3/4	2/3/4	2/3/4	2/3/4	2/3/4
50/60	50/60	50/60	50/60	50/60	50/60	50/60	50/60	50/60
40	63	40	63	80	100	125	160	200
40	63	40	63	80	100	125	160	200
40	63	40	63	80	100	125	160	200
1	1.6	0.48	1.2	1.84	2.9	4.5	6.5	10
2.5	2.5	6	6	6	6	6	Cu-rail	Cu-rail
25	25	50	50	50	50	50	20x6	20x6
-	-	12	12	12	12	12	12	12
440	440	690	690	690	690	690	690	690
440	440	690	690	690	690	690	690	690
8	8	8	8	8	8	8	8	8
12.3	12.3	12.3	12.3	12.3	12.3	12.3	12.3	12.3
40	63	40	63	80	100	125	160	200
40	63	40	63	80	100	125	160	200
-	-	40	63	80	100	125	160	200
-	-	40	63	80	100	125	160	200
40	63	40	63	80	100	125	160	200
40	63	40	63	80	100	125	160	200
-	-	40	63	80	100	100	160	200
-	-	40	50	63	63	63	160	200
40	63	40	50	80	80	80	125	160
40	63	40	50	80	80	80	125	160
-	-	25	25	50	50	50	125	125
-	-	18	18	40	40	40	63	80
21	21	21	27	44	44	44	69	88
21	21	22	28	46	46	46	72	92
-	-	22	22	35	35	35	86	86
-	-	22	22	36	36	36	60	76
400	630	756	756	1875	1875	1875	3200	4000
320	504	504	630	1000	1000	1000	1920	2400
2.5	2.5	3	3	3	3	3	3	3
-	-	6	6	6	6	6	6	6
6	6	10	10	10	10	10	10	10
6	6	10	10	10	10	10	10	10
-	-	6.7	6.7	6.7	6.7	6.7	6.7	6.7
-	-	6.7	6.7	6.7	6.7	6.7	6.7	6.7
10	10	10	10	10	10	10	10	10
15	15	50	50	50	50	50	50	50
15	15	50	50	50	50	50	50	50
-	-	50	50	50	50	50	50	50
-	-	33	33	33	33	33	20	18
-	-	20	30	40	50	60	77	97
-	-	40	63	80	100	100	160	160
-	-	40	63	-	-	-	100	100
-	-	-	-	80	100	100	160	160
2.5	2.5	1.4	1.4	1.4	1.4	1.4	1.4	1.4
50	50	45	45	45	45	45	45	45
1000	1000	1500	1500	1500	1500	1500	1000	1000
10000	10000	20000	20000	20000	20000	20000	10000	10000
-	-	30	60	80	-	-	100	125
-	-	14	21	27	-	-	34	40
-	-	10	15	20	-	-	25	30
-	-	10	10	10	-	-	10	10
-	-	50	50	50	-	-	50	50
0.27	0.27	0.48	0.48	0.48	0.48	0.48	0.62	0.62
0.29	0.29	0.54	0.54	0.54	0.54	0.54	0.73	0.73
0.33	0.33	0.59	0.59	0.59	0.59	0.59	0.77	0.77

Dilos

D

55





## DILOS - Loadbreak disconnectors for wall mounting

			Dilos 1H	Dilos 1H	Dilos 1H	Dilos 3	Dilos 3	Dilos 3
Conventional enclosed thermal current Ithe = Ith	(A)		40	63	125	160	200	250
Number of poles			3/4	3/4	3/4	3/4	3/4	3/4
Frequency	(Hz)		50/60	50/60	50/60	50/60	50/60	50/60
Rated thermal current at	40°C	(A)	40	63	125	160	200	250
	50°C	(A)	40	63	125	160	200	250
	60°C	(A)	40	63	125	160	200	250
Power loss per pole	(W)		0.9	2.2	8.5	3	4.8	7.5
Terminal capacity (Cu)	minimum	(mm <sup>2</sup> )	6	6	6	Cu-rail	Cu-rail	Cu-rail
	maximum	(mm <sup>2</sup> )	50	50	50	30x6	30x6	30x6
Maximum torque on terminals	(Nm)		12	12	12	12	12	12
Rated operational voltage Ue	(V)		690	690	690	690	690	690
Rated insulation voltage Ui	(V)		1000	1000	1000	1000	1000	1000
Rated impulse withstand voltage (2000m) Uimp	(kV)		8	8	8	8	8	8
Impulse test voltage at sea level	(kV)		12.3	12.3	12.3	12.3	12.3	12.3
Rated operational current Ie AC21A up to 250A AC21B from 315A	Ue=400V	(A)	40	63	125	160	200	250
	Ue=415V	(A)	40	63	125	160	200	250
	Ue=500V	(A)	40	63	125	160	200	250
	Ue=690V	(A)	40	63	125	160	200	250
Rated operational current Ie AC22A up to 250A AC22B from 315A	Ue=400V	(A)	40	63	125	160	200	250
	Ue=415V	(A)	40	63	125	160	200	250
	Ue=500V	(A)	40	63	125	160	200	250
	Ue=690V	(A)	40	63	125	160	200	250
Rated operational current Ie AC23A up to 250A AC23B from 315A	Ue=400V	(A)	40	63	125	160	200	250
	Ue=415V	(A)	40	63	125	160	200	250
	Ue=500V	(A)	40	63	125	160	200	250
	Ue=690V	(A)	40	50	50	160	200	200
Maximum rated operational power at rated duty AC23	Ue=400V	(kW)	21	30	69	88	88	135
	Ue=415V	(kW)	22	33	72	92	92	140
	Ue=500V	(kW)	27	44	86	110	175	175
	Ue=690V	(kW)	36	45	45	140	190	190
Rated making and breaking capacity at 500Vac 23A	making	(A)	600	800	1250	1920	2400	2800
	breaking	(A)	500	700	1000	1600	2000	2300
Rated short time withstand Icw	1 s.	(kA ms)	3	3	3	9	9	9
	0.25 s.	(kA ms)	6	6	6	15	15	15
Rated short-circuit making capacity Icm	Ue=400V	(kA peak)	10	10	10	30	30	30
	Ue=415V	(kA peak)	10	10	10	30	30	30
	Ue=500V	(kA peak)	10	10	10	30	30	30
	Ue=690V	(kA peak)	7	7	7	30	30	30
Peak short-circuit withstand current (kA ms)	(kA)		10	10	10	30	30	30
Rated conditional short-circuit current with back-up protection featuring the same current rating as the switch (kA ms)	400V	(kA)	50	50	50	100	100	100
	415V	(kA)	50	50	50	100	100	100
	500V	(kA)	50	50	50	100	100	100
	690V	(kA)	33	33	33	100	100	100
Rated capacity power at 400V	(kVAR)		19	30	60	77	97	120
Rated operational current DC23A	2P in series 110V	(A)	40	63	100	160	200	250
	2P in series 250V	(A)	40	63	-	100	160	160
	4P in series 250V	(A)	-	-	100	160	200	250
Operating torque	(Nm)		8	8	8	12	12	12
Force	(N)		80	80	80	120	120	120
Durability (number of operational cycles)	electrical		5000	2000	1000	3000	1000	1000
	mechanical (min)		15000	15000	10000	10000	10000	10000
UL listed following UL file E143291 (acc UL508)								
UL 508 General Use 480V	In	A	30	60	100	-	-	-
UL 508 Manual motor controller 480V	FLA	A	14	21	34	-	-	-
	Power	(HP)	10	15	25	-	-	-
UL short-circuit at 480V	K5fu	(kA)	10	10	10	-	-	-
	UL J-fuses	(kA)	50	50	50	-	-	-
Weight	2P	(kg)	-	-	-	-	-	-
	3P	(kg)	1.18	1.18	1.18	2.75	2.75	2.75
	4P	(kg)	1.25	1.25	1.25	2.90	2.90	2.90



Dilos 3	Dilos 4	Dilos 4	Dilos 4	Dilos 6S 35/50kA	Dilos 6S 35/50kA	Dilos 6S 35/50kA	Dilos 7S	Dilos 8S	Dilos 8S	Dilos 9S	Dilos 9
315	400	500	630	800	1000	1250	1600	2000	2500	3150	4000
3/4	3/4	3/4	3/4	3/4	3/4	3/4	3/4	3/4	3/4	3/4	3/4
50/60	50/60	50/60	50/60	50/60	50/60	50/60	50/60	50/60	50/60	50/60	50/60
315	400	500	630	800	1000	1250	1600	2000	2500	3150	4000
315	400	500	630	720	900	1125	1440	1800	2250	2835	3600
315	400	500	630	640	800	1000	1280	1600	2000	2520	3200
12	10.5	16	26	29	45	70	95	103	133	420	500
Cu-rail	Cu-rail	Cu-rail	Cu-rail	Cu-rail	Cu-rail	Cu-rail	Cu-rail	Cu-rail	Cu-rail	Cu-rail	Cu-rail
30x6	40x6	40x6	40x6	2x50x5	2x50x6	2x50x8	2x60x10	2x80x10	2x80x10	4x100x10	4x100x10
12	60	60	60	35	35	35	35	35	35	35	35
690	690	690	690	1000	1000	1000	1000	1000	1000	1000	1000
1000	1000	1000	1000	1500	1500	1500	1500	1500	1500	1500	1500
8	8	8	8	12	12	12	8	8	8	8	8
12.3	12.3	12.3	12.3	18.5	18.5	18.5	12.3	12.3	12.3	12.3	12.3
315	400	500	630	800	1000	1250	1600	2000	2500	3150	4000
315	400	500	630	800	1000	1250	1600	2000	2500	3150	4000
315	400	500	630	800	1000	1250	1600	2000	2500	3150	4000
315	400	500	630	800	1000	1250	1600	2000	2500	3150	4000
315	400	500	630	800	1000	1250	1600	2000	2500	-	-
315	400	500	630	800	1000	1250	1600	2000	2500	-	-
315	400	500	630	800	1000	1250	1250	1250	1250	-	-
315	400	500	630	800	1000	1250	1000	1000	800	-	-
315	400	500	630	800	1000	1250	1250	1250	-	-	-
315	400	500	630	800	1000	1250	1250	1250	-	-	-
315	400	500	630	630	800	800	800	800	-	-	-
200	400	400	450	500	630	630	630	630	-	-	-
165	218	270	335	-	-	-	-	-	-	-	-
175	230	285	375	-	-	-	-	-	-	-	-
220	295	370	405	-	-	-	-	-	-	-	-
190	390	440	440	-	-	-	-	-	-	-	-
3150	4800	6000	6300	8000	10000	12500	12500	12500	-	-	-
2520	4000	5000	5040	6400	8000	10000	10000	10000	-	-	-
9	20	20	20	35 / 50	35 / 50	35 / 50	50	50	50	50	50
15	35	35	35	70 / 100	70 / 100	70 / 100	120	120	140	140	100
30	60	60	60	73.5 / 105	73.5 / 105	73.5 / 105	105	105	105	105	105
30	60	60	60	73.5 / 105	73.5 / 105	73.5 / 105	105	105	105	105	105
30	60	60	60	-	-	-	-	-	-	-	-
30	60	60	60	-	-	-	-	-	-	-	-
30	60	60	60	73.5 / 105	73.5 / 105	73.5 / 105	105	105	105	105	105
70	100	100	100	50	50	50	50	50	50	50	50
70	100	100	100	50	50	50	50	50	50	50	50
50	100	100	100	-	-	-	-	-	-	-	-
50	100	100	100	-	-	-	-	-	-	-	-
152	193	242	305	380	475	600	780	850	1100	1250	-
315	400	-	-	800	1000	1250	800	800	-	-	-
160	-	-	-	800	1000	1000	800	800	-	-	-
315	400	-	-	-	-	-	-	-	-	-	-
12	40	40	40	45 / 70	45 / 70	45 / 70	70	70	70	70	150
120	333	333	333	160	160	160	174	174	174	174	330
800	1000	700	500	1000	1000	1000	1000	500	500	500	500
10000	5000	5000	5000	4000	4000	4000	4000	2500	2500	2500	2500
-	-	-	-	-	-	-	-	-	-	-	-
-	-	-	-	-	-	-	-	-	-	-	-
-	-	-	-	-	-	-	-	-	-	-	-
-	-	-	-	-	-	-	-	-	-	-	-
-	-	-	-	-	-	-	-	-	-	-	-
2.75	9.00	9.00	9.00	11	11	11	17	19	27	40	84
2.90	9.60	9.60	9.60	12	12	12	19	20	30	44	108

Dilos

D  
57



## FULOS - Fused loadbreak disconnectors for wall mounting



		Fulos 000 NF 14 x 51	Fulos 000 NF 22 x 58	Fulos 000 DIN 000	Fulos 000 DIN 000	Fulos 000 DIN 000	Fulos 00 DIN 00	Fulos 1 DIN 1
Conventional thermal current Ith	(A)	50	125	32	63	125	160	250
Conventional enclosed thermal current Ithe	(A)	50	125	32	63	125	160	250
Number of poles		3/3+N	3/3+N	3/3+N	3/3+N	3/3+N	3/3+N	3/3+N
Frequency	(Hz)	50/60	50/60	50/60	50/60	50/60	50/60	50/60
Rated thermal current at	40°C	(A) 50	125	32	63	125	160	250
	50°C	(A) 50	112	32	63	112	160	250
	60°C	(A) 50	100	32	63	100	160	250
Power loss per pole (switch only)	(W)	1.6	8.5	0.65	2.5	6.5	5.2	6.5
Power loss per pole (fuse only)	(W)	5	7.5	7.5	7.5	7.5	15	32
Terminal capacity (Cu) minimum	(mm <sup>2</sup> )	6	6	6	6	6	Cu-rail	Cu-rail
Terminal capacity (Cu) maximum	(mm <sup>2</sup> )	50	50	50	50	50	30x6	2x40x6
Maximum torque on terminals	(Nm)	12	12	12	12	12	12	60
Rated operational voltage Ue	(V)	690	690	690	690	690	690	690
Rated insulation voltage Ui	(V)	1000	1000	1000	1000	1000	1000	1000
Rated impulse withstand voltage (2000m) Uimp	(kV)	8	8	8	8	8	8	8
Impulse test voltage at sea level	(kV)	12.3	12.3	12.3	12.3	12.3	12.3	12.3
Rated operational current Ie AC21A up to 250A AC21B from 315A	Ue=400V	(A) 50	125	32	63	125	160	250
	Ue=415V	(A) 50	125	32	63	125	160	250
	Ue=500V	(A) 50	125	32	63	125	160	250
	Ue=690V	(A) 50	125	32	63	125	160	250
Rated operational current Ie AC22A up to 250A AC22B from 315A	Ue=400V	(A) 50	125	32	63	125	160	250
	Ue=415V	(A) 50	125	32	63	125	160	250
	Ue=500V	(A) 50	125	32	63	125	160	250
	Ue=690V	(A) 50	125	32	63	125	160	250
Rated operational current Ie AC23A up to 250A AC23B from 315A	Ue=400V	(A) 50	125	32	63	125	160	250
	Ue=415V	(A) 50	125	32	63	125	160	250
	Ue=500V	(A) 50	100	32	63	125	160	250
	Ue=690V	(A) 50	80	32	50	50	125	250
Maximum rated operational power at rated duty AC23	Ue=400V	(kW) 25	69	16	30	69	88	135
	Ue=415V	(kW) 27	72	18	33	72	92	140
	Ue=500V	(kW) 36	86	23	44	86	110	175
	Ue=690V	(kW) 45	45	29	45	45	115	238
Rated making and breaking capacity at 500V AC23A	making	(A) 1000	1000	1000	1000	1000	1600	2500
	breaking	(A) 800	800	800	800	800	1280	2000
Rated conditional short-circuit current with back-up protection featuring the same current rating as the switch (kA rms)	400V	(kA) 50	50	50	50	50	100	100
	415V	(kA) 50	50	50	50	50	100	100
	500V	(kA) 50	50	50	50	50	100	100
	690V	(kA) 33	33	33	33	33	100	100
Rated capacity power at 400V	(kVAR)	24	60	16	30	60	77	120
Rated operational current DC23A	2P in series 110V	(A) 50	100	32	63	100	160	250
	2P in series 250V	(A) 50	63	32	63	-	100	160
	4P in series 250V	(A) -	100	-	-	100	160	250
Operating torque	(Nm)	8	8	8	8	8	12	40
Force	(N)	80	80	80	80	80	120	333
Durability (number of operational cycles)	electrical	4000	3000	5000	3000	1500	1000	1000
	mechanical (min)	10000	10000	10000	10000	10000	10000	5000
Weight	3P	(kg) 1.20	1.20	1.27	1.27	1.27	3.05	10.60
	4P	(kg) 1.27	1.27	1.35	1.35	1.35	3.21	11.20

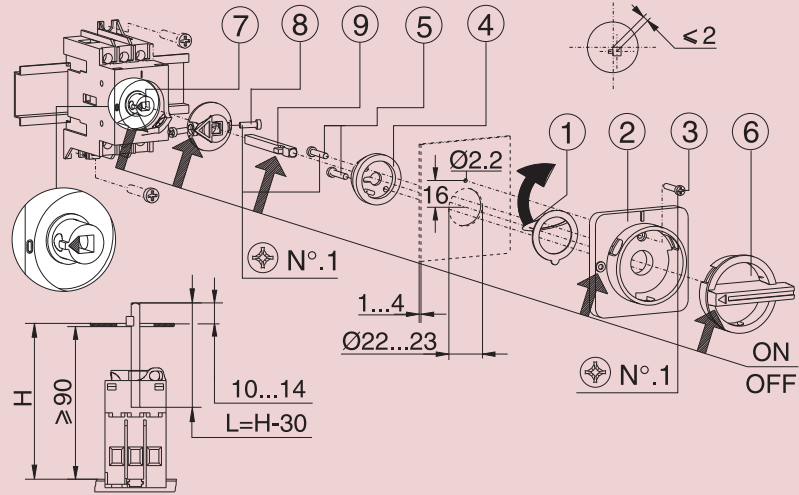


Fulos 2 DIN 2	Fulos 3S DIN 3	Fulos 4 DIN 4D	Fulos 000 BS A2	Fulos 000 BS A3	Fulos 000 BS A3	Fulos 00 BS A4	Fulos 00 BS A4	Fulos 1 BS B1-B2	Fulos 1 BS B4	Fulos 2 BS B3-B4	Fulos 3S BS C1-C2	Fulos 3S BS C3	Fulos 4 BS D1
400	630	1000	32	63	100	100	200	200	400	400	630	800	1250
400	630	1000	32	63	100	100	200	200	400	400	630	800	1250
3/3+N	3/3+N	3/3+N	3/3+N	3/3+N	3/3+N	3/3+N	3/3+N	3/3+N	3/3+N	3/3+N	3/3+N	3/3+N	3/3+N
50/60	50/60	50/60	50/60	50/60	50/60	50/60	50/60	50/60	50/60	50/60	50/60	50/60	50/60
400	630	1000	32	63	100	100	200	200	400	400	630	800	1250
400	567	900	32	63	100	100	200	200	400	400	567	720	1125
400	504	800	32	63	100	100	200	200	400	400	504	640	1000
16			2.5	2.5	6.5	2	4.8	3.6	15	15	-	-	-
45	50	125	7.5	7.5	7.5	16	32	32	45	45	50	75	195
Cu-rail	Cu-rail	Cu-rail	6	6	6	Cu-rail	Cu-rail	Cu-rail	Cu-rail	Cu-rail	Cu-rail	Cu-rail	Cu-rail
2x40x6	2x40x6	2x50x10	50	50	50	30x6	30x6	2x40x6	2x40x6	2x40x6	2x40x6	2x40x6	2x60x10
60	35	35	12	12	12	12	12	60	60	60	35	35	35
690	1000	690	690	690	690	690	690	690	690	690	1000	1000	690
1000	1500	1000	1000	1000	1000	1000	1000	1000	1000	1000	1500	1500	1000
8	8	8	8	8	8	8	8	8	8	8	8	8	8
12.3	12.3	12.3	12.3	12.3	12.3	12.3	12.3	12.3	12.3	12.3	12.3	12.3	12.3
400	630	1000	32	63	100	100	200	200	400	400	630	800	1250
400	630	1000	32	63	100	100	200	200	400	400	630	800	1250
400	630	1000	32	63	100	100	200	200	400	400	630	800	1250
400	630	1000	32	63	100	100	200	200	400	400	630	800	1250
400	630	1000	32	63	100	100	200	200	400	400	630	800	1250
400	630	1000	32	63	100	100	200	200	400	400	630	800	1250
400	630	1000	32	63	100	100	200	200	400	400	630	800	1250
400	630	1000	32	63	100	100	200	200	400	400	630	800	1250
400	630	1000	32	63	100	100	200	200	400	400	630	800	1250
400	630	1000	32	63	100	100	200	200	400	400	630	800	1250
400	630	1000	32	63	100	100	200	200	400	400	630	800	1250
400	630	1000	32	63	100	100	200	200	400	400	630	800	1250
400	630	1000	32	63	100	100	200	200	400	400	630	800	1250
300	630	1000	32	50	80	100	200	200	300	300	630	800	1250
218	-	-	16	30	50	50	88	100	218	218	-	-	-
230	-	-	18	33	55	55	92	110	230	230	-	-	-
295	-	-	23	44	72	72	175	140	295	295	-	-	-
290	-	-	29	45	45	90	190	190	290	290	-	-	-
4000	6300	10000	1000	1000	1000	1600	2400	3200	4000	4000	6300	8000	12500
3200	5040	8000	800	800	800	1000	2000	2800	3200	3200	5040	6400	10000
100	50	100	50	50	50	100	100	100	100	100	50	50	100
100	50	100	50	50	50	100	100	100	100	100	50	50	100
100	-	-	50	50	50	100	100	100	100	100	-	-	-
100	-	-	50	33	33	100	100	100	100	100	-	-	-
193	300	475	16	30	48	48	97	97	193	193	300	380	600
400	500	1000	32	63	100	100	200	200	400	400	500	500	1000
-	-	1000	32	63	-	63	160	160	-	-	-	-	1000
400	-	-	-	-	100	100	200	200	400	400	-	-	-
40	45	80	8	8	8	12	12	40	40	40	45	45	80
333	160	174	80	80	80	120	120	333	333	333	160	160	174
700	1000	1000	3000	3000	3000	1500	1000	1000	700	700	1000	1000	1000
5000	4000	4000	15000	15000	15000	10000	10000	5000	5000	5000	4000	4000	4000
10.60	13.00	33.00	1.22	1.22	1.27	3.11	3.11	11.20	11.20	11.20	13.00	13.00	33.00
11.20	14.50	42.00	1.29	1.29	1.35	3.27	3.27	11.80	11.80	11.80	14.50	14.50	42.00

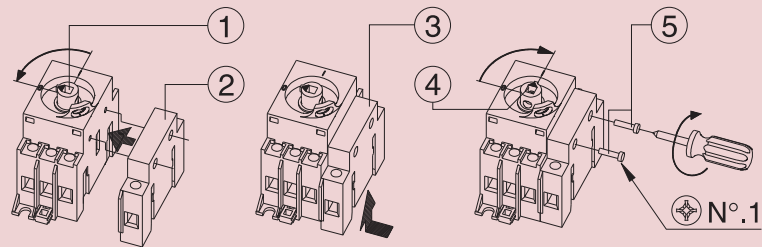


**Dilos 00 for DIN-rail mounting**

**Rotary handle for door mounting and padlockable - IP65**

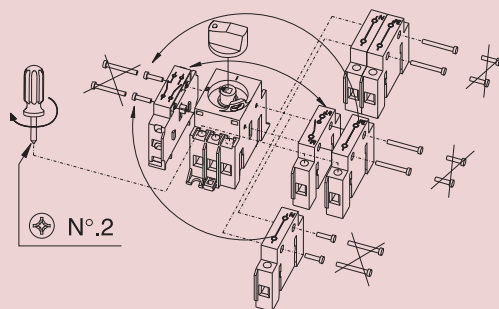


**Mounting of modules on the side of the switch**



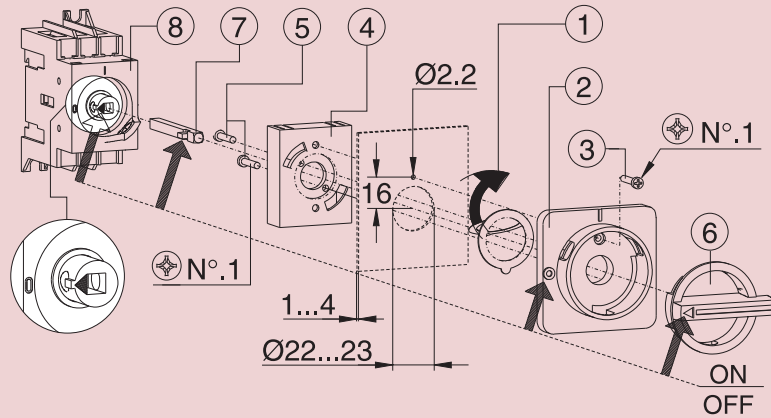
Left mounting: same steps

**Mounting of additional poles and auxiliary contacts**

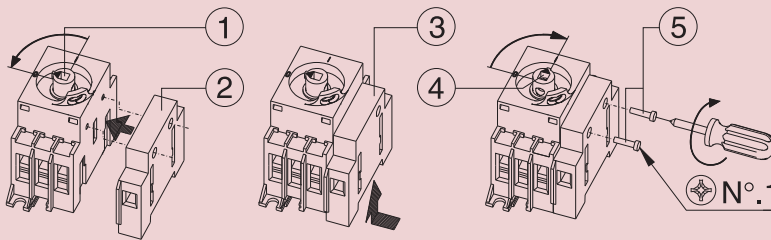


## Dilos 00 for door mounting

### Rotary handle for door mounting and padlockable

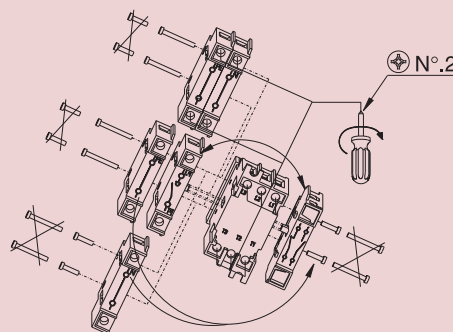


### Mounting of modules on the side of the switch



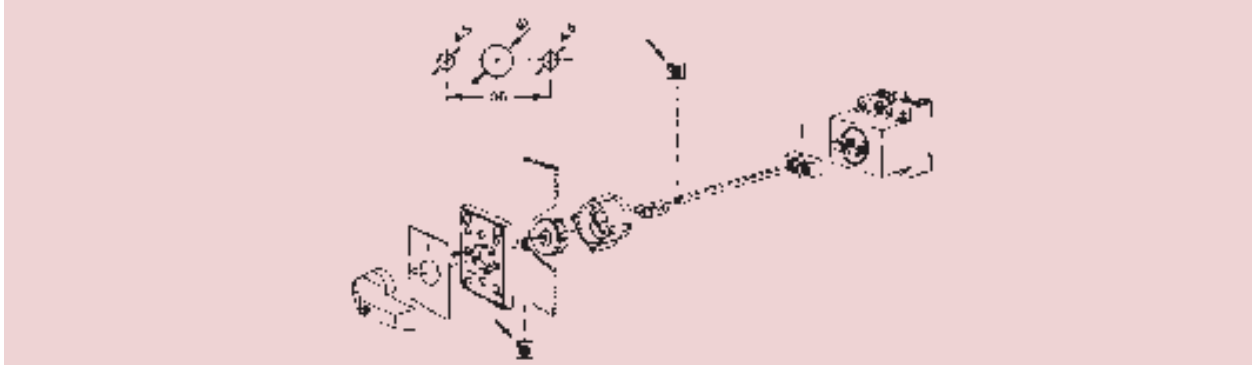
Left mounting: same steps

### Mounting of additional poles and auxiliary contacts

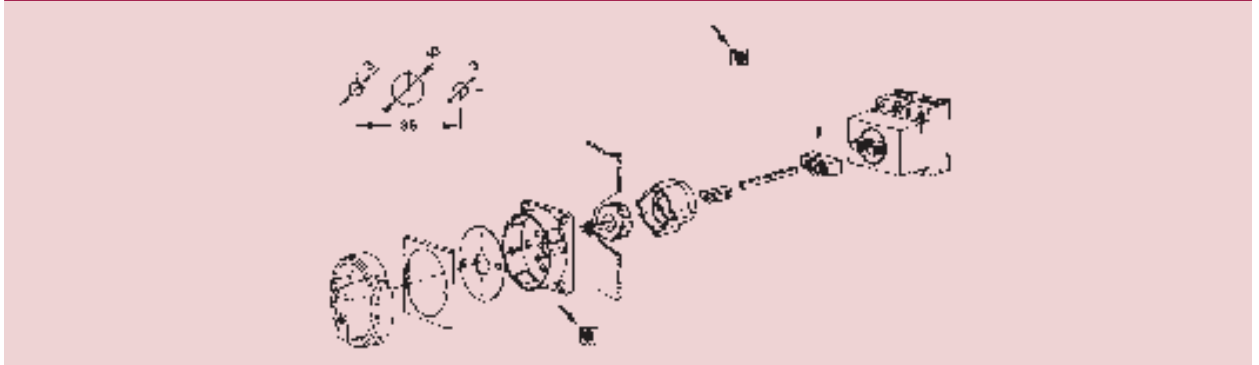


## Installation facilities

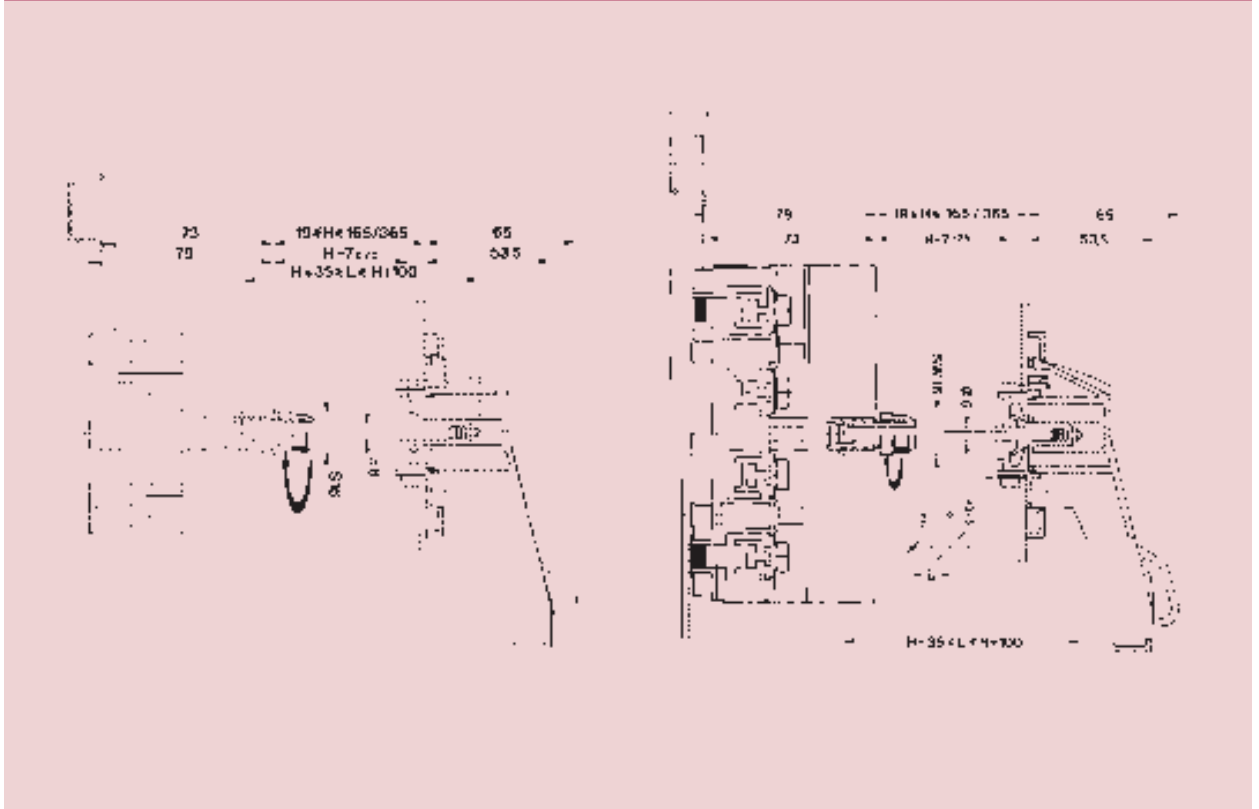
### Dilos 0 - Mounting of a standard rotary handle with frontplate



### Dilos 0 - Mounting of a red/yellow rotary handle with frontplate for padlocking

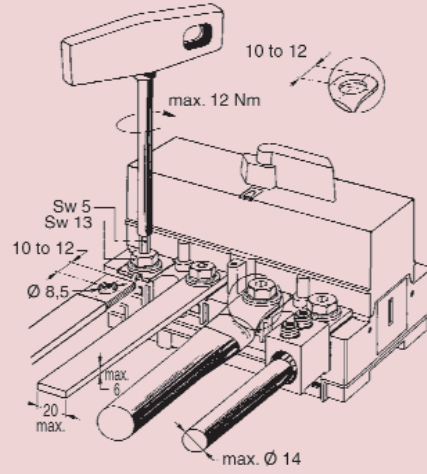


### Dilos 1 / Dilos 2 - Coupling for cover or hinged door with extension shaft - IP65

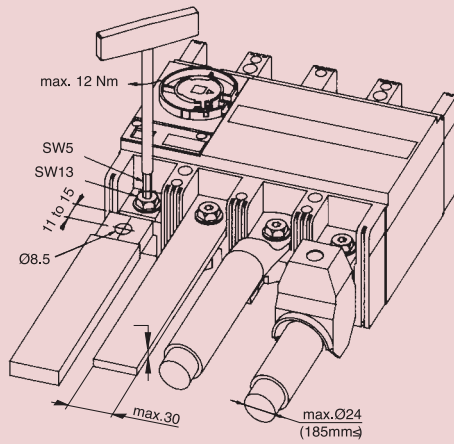


## Connection possibilities

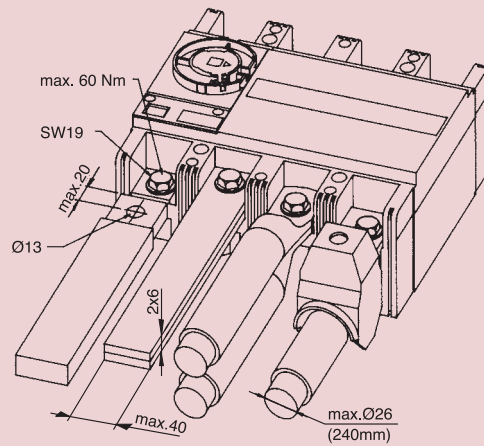
### Dilos 2



### Dilos 3 / Fulos 00



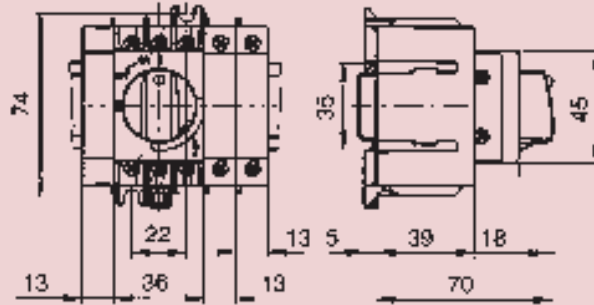
### Dilos 4 / Fulos 1 / Fulos 2



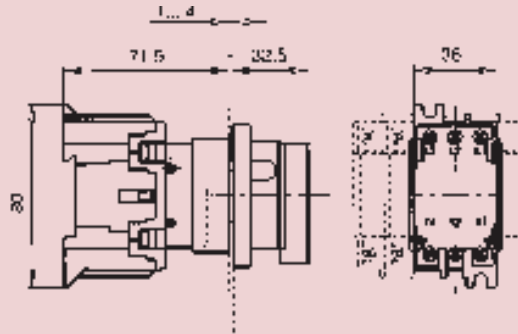


## Dimensions

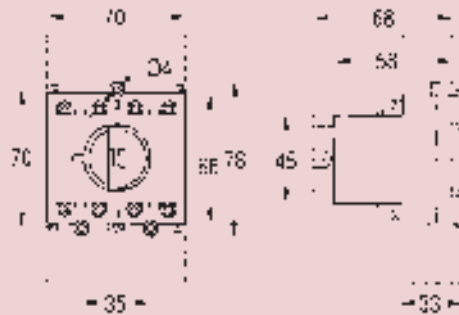
### Dilos 00 - DIN-rail disconnectors



### Dilos 00 - Disconnectors for door mounting



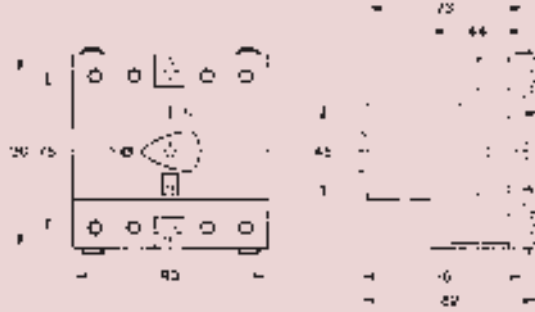
### Dilos 0



### Dilos 1



**Elos**



**Dilos 2**



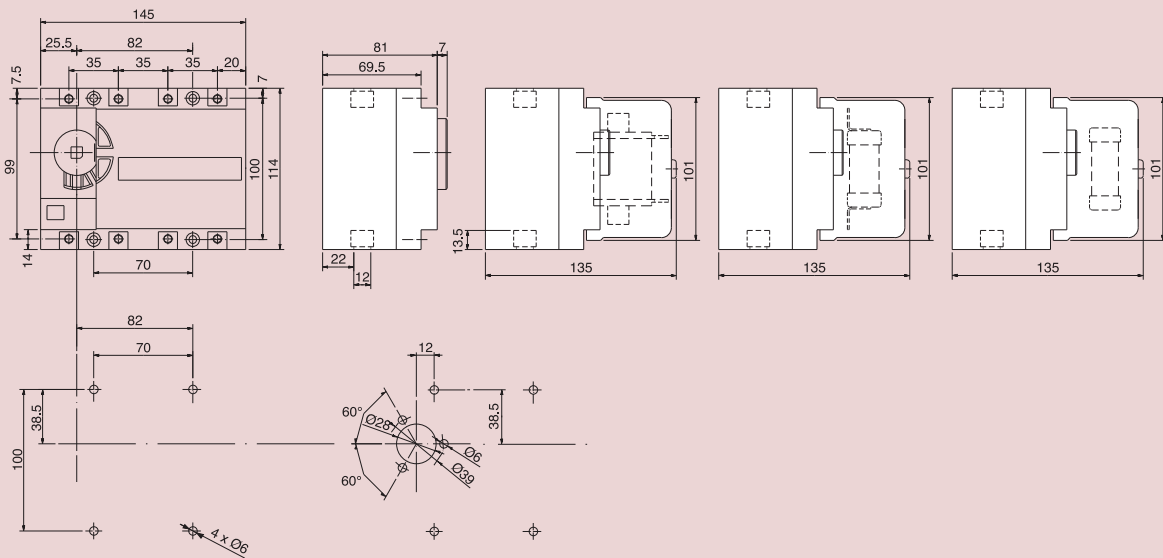
**Dilos 1H / Fulos 000**

**Dilos 1H**

**Fulos 000 -  
DIN NH 000/00**

**Fulos 000 -  
BS A2/A3**

**Fulos 000 - NF 14x51  
Fulos 000 - NF 22x58**

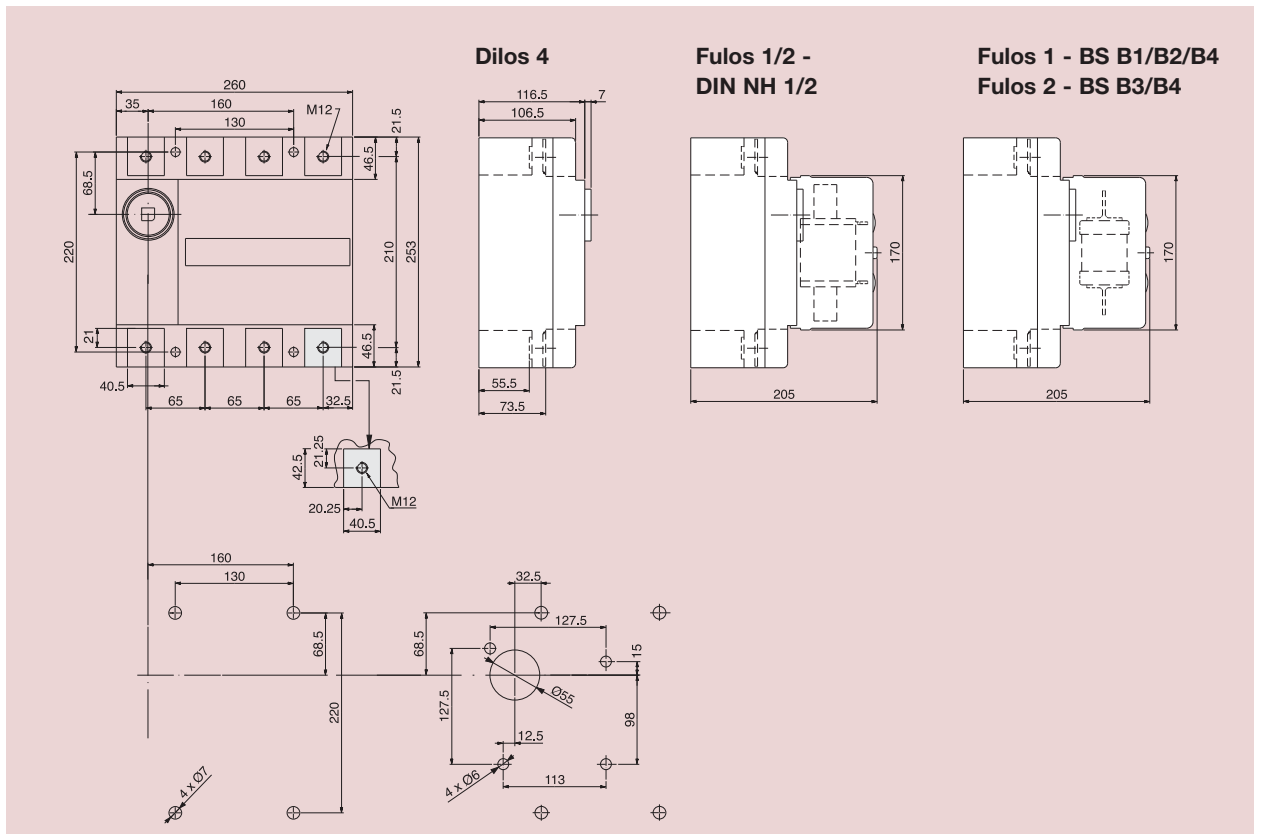
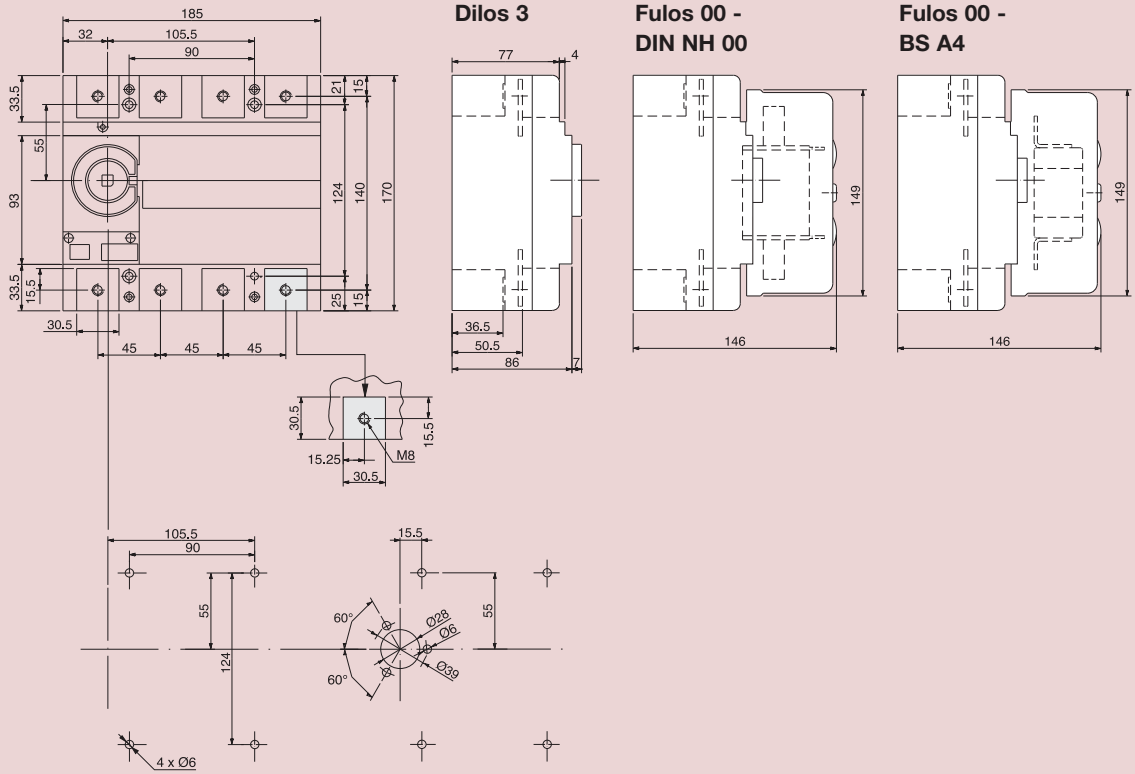


## Dimensions

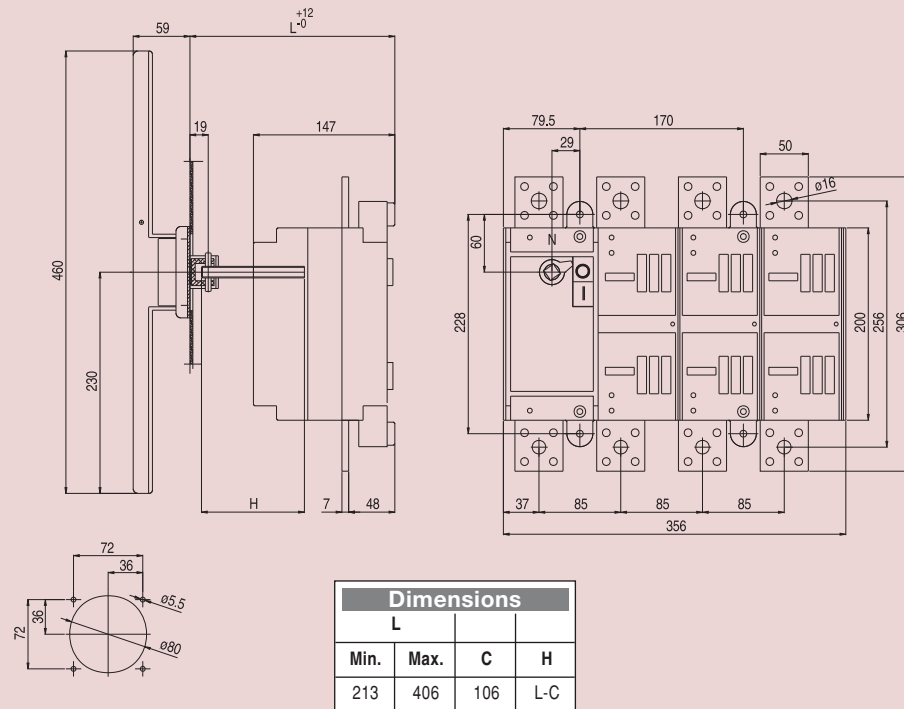
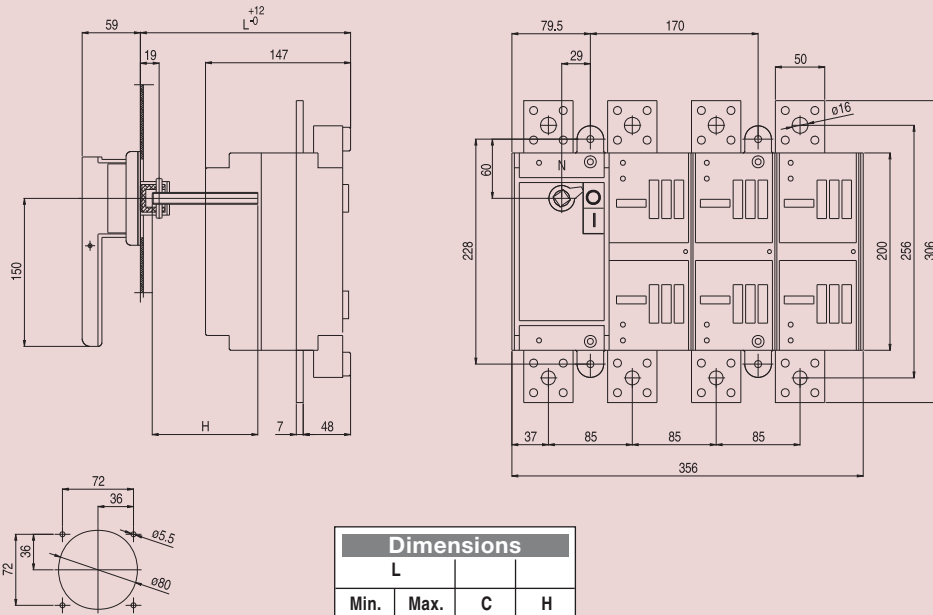
Dimensions

D  
66

### Dilos 3 / Fulos 00

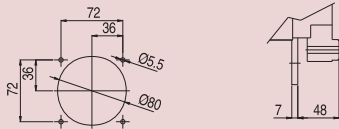
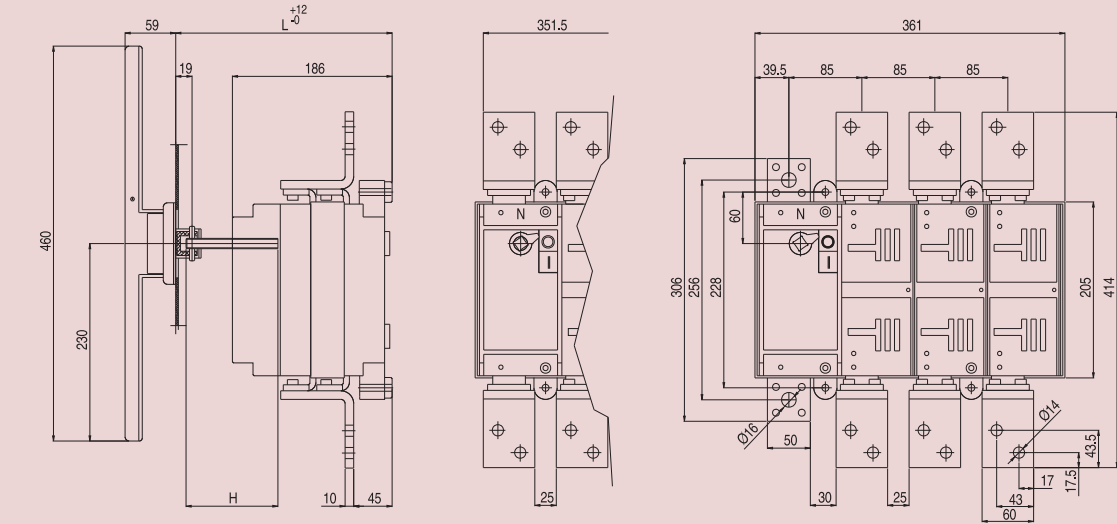


## Dilos 6S - 35kA



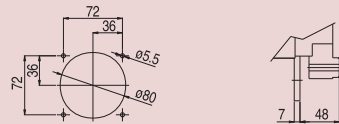
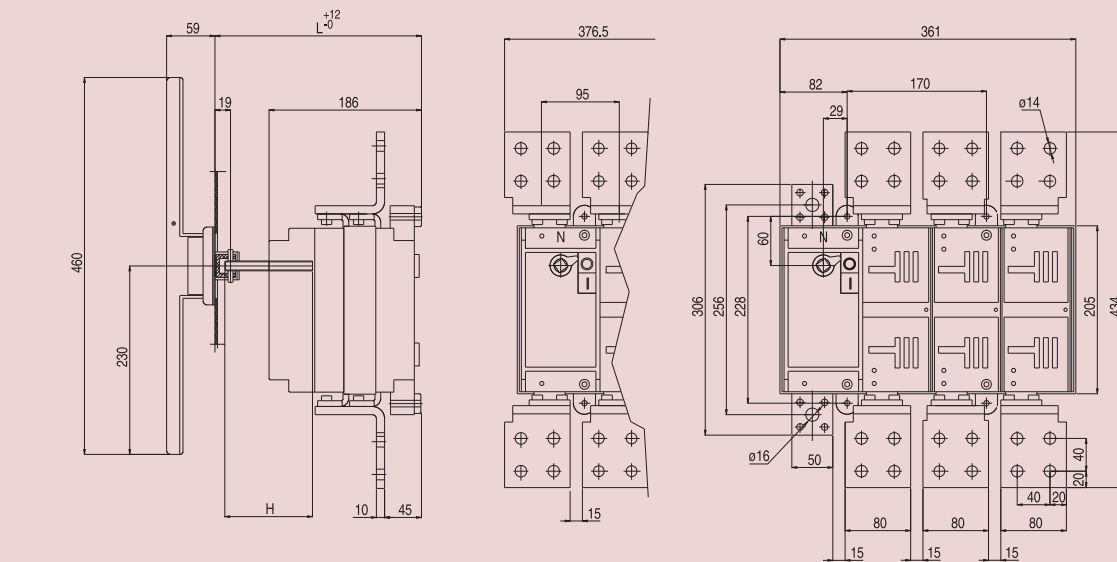
## Dimensions

### Dilos 7S



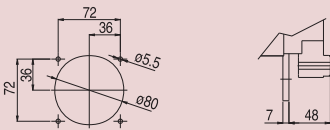
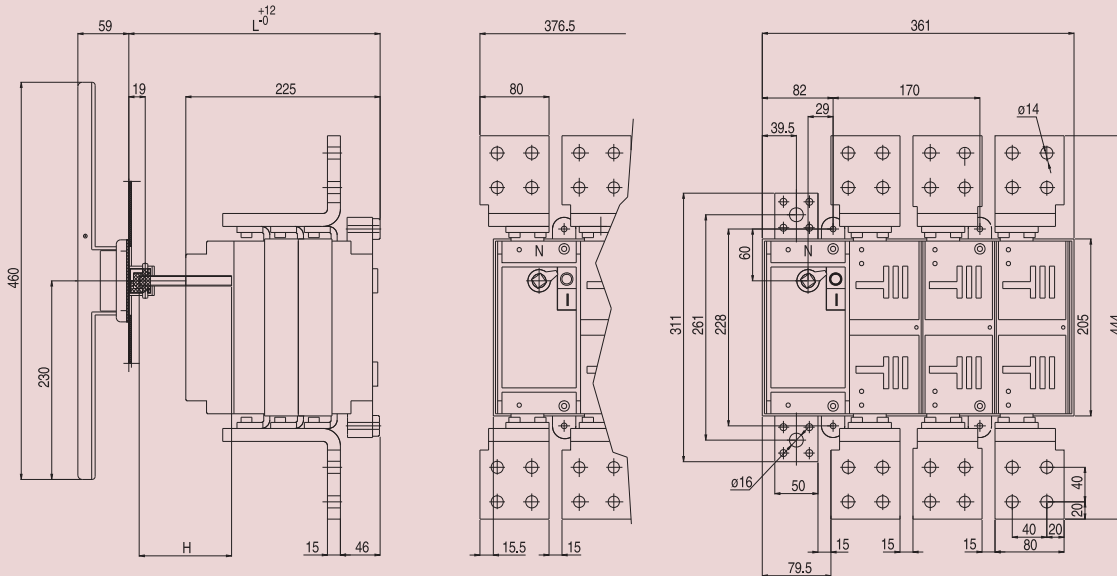
Dimensions			
L			
Min.	Max.	C	H
252	445	145	L-C

### Dilos 8S - 2000A



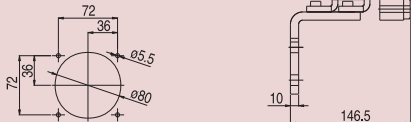
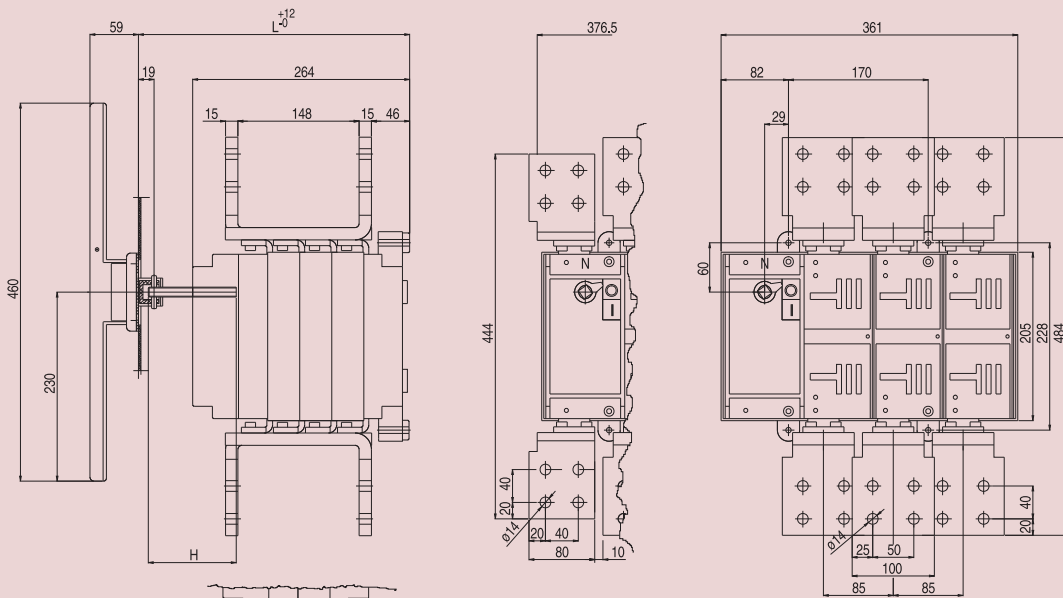
Dimensions			
L			
Min.	Max.	C	H
252	445	145	L-C

### Dilos 8S - 2500A



Dimensions			
L			
Min.	Max.	C	H
291	484	184	L-C

### Dilos 9S



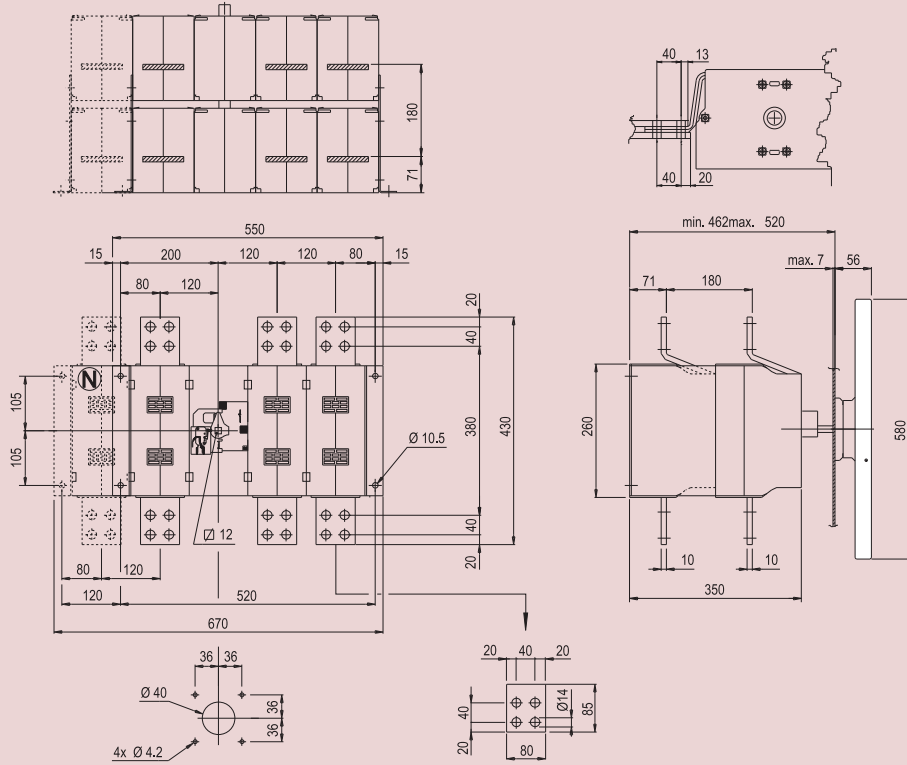
Dimensions			
L			
Min.	Max.	C	H
330	523	223	L-C

## Dimensions

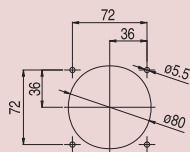
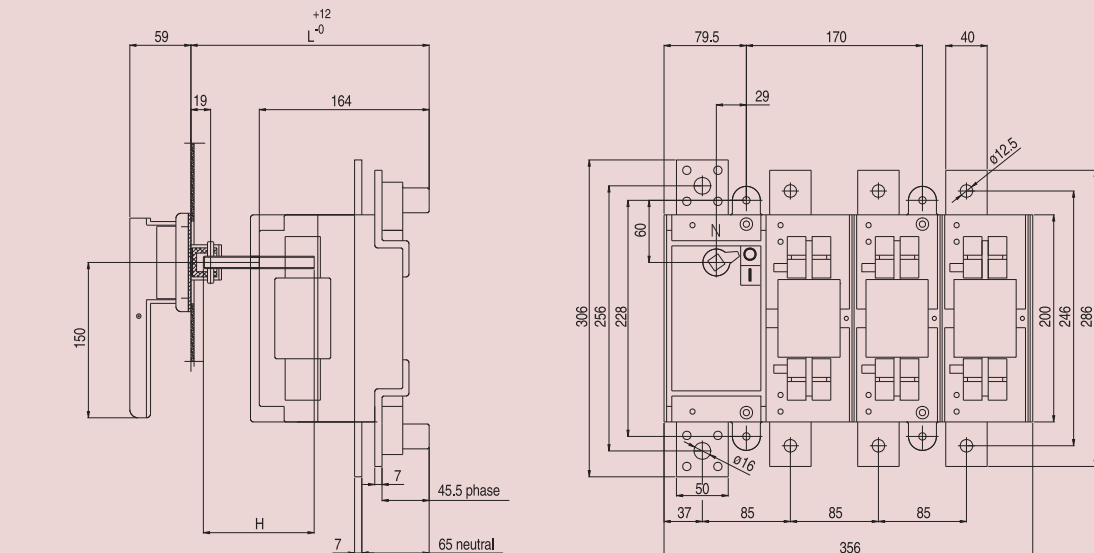
Dimensions

D  
70

### Dilos 9



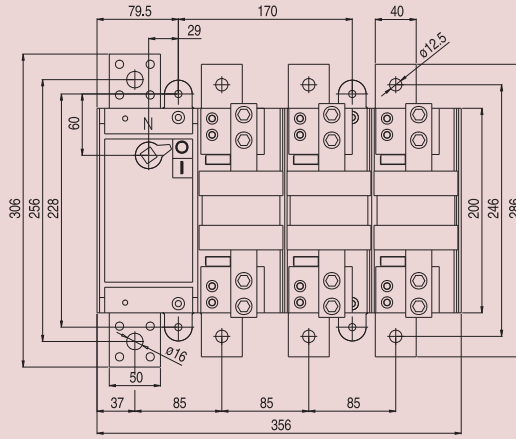
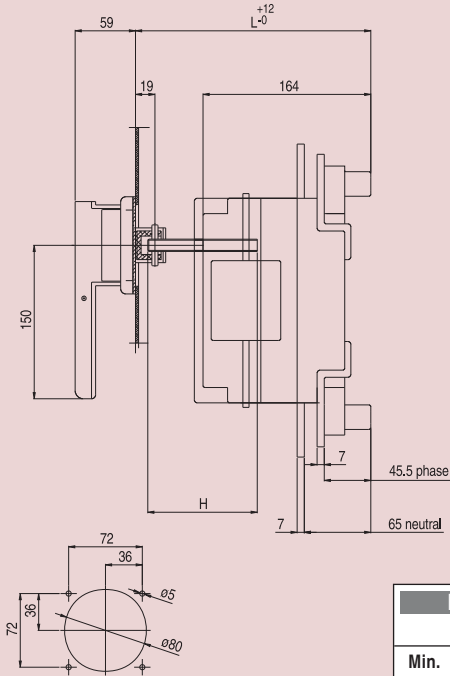
### Fulos 3S - DIN NH 3



Dimensions			
L			
Min.	Max.	C	H
230	423	123	L-C

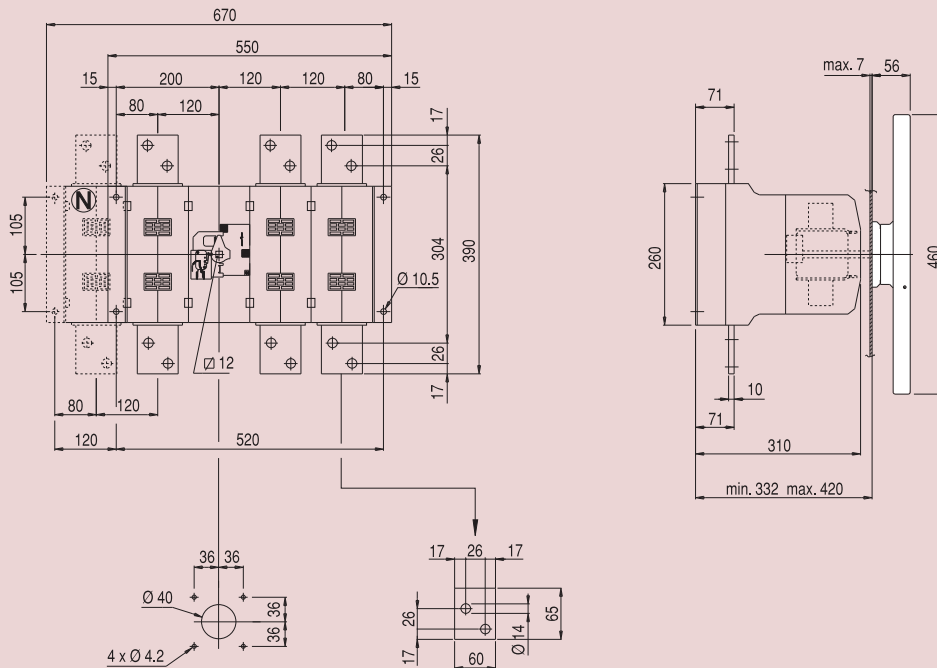


### Fulos 3S - BS



Dimensions			
L			
Min.	Max.	C	H
230	423	123	L-C

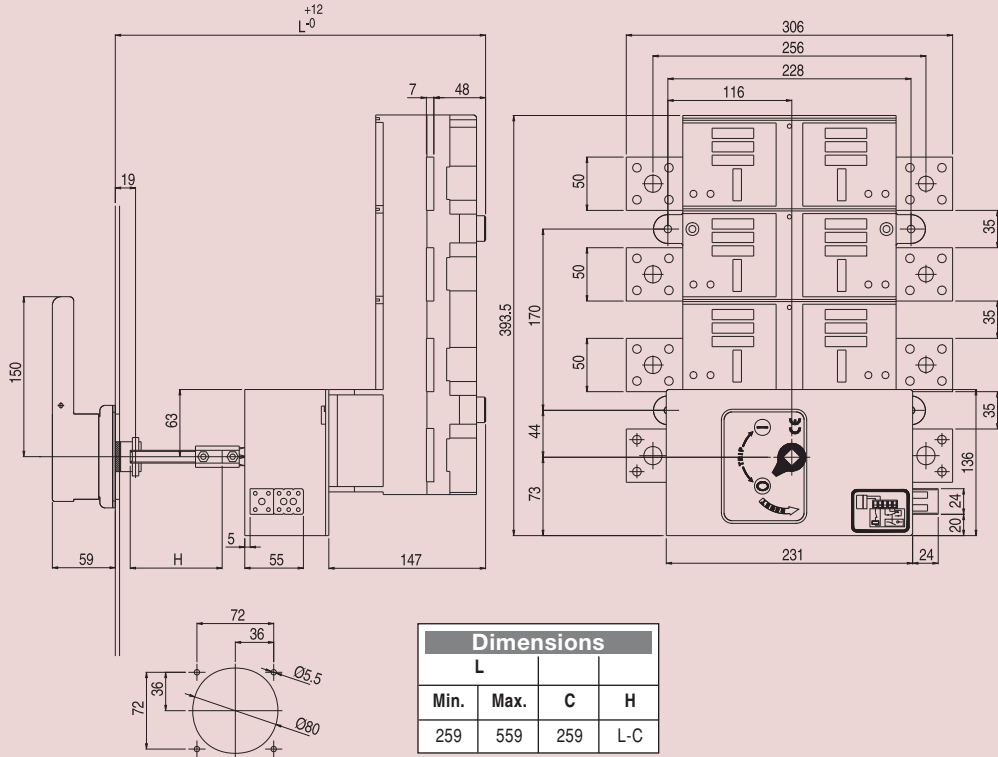
### Fulos 4 - DIN NH 4D / Fulos 4 - BS D1



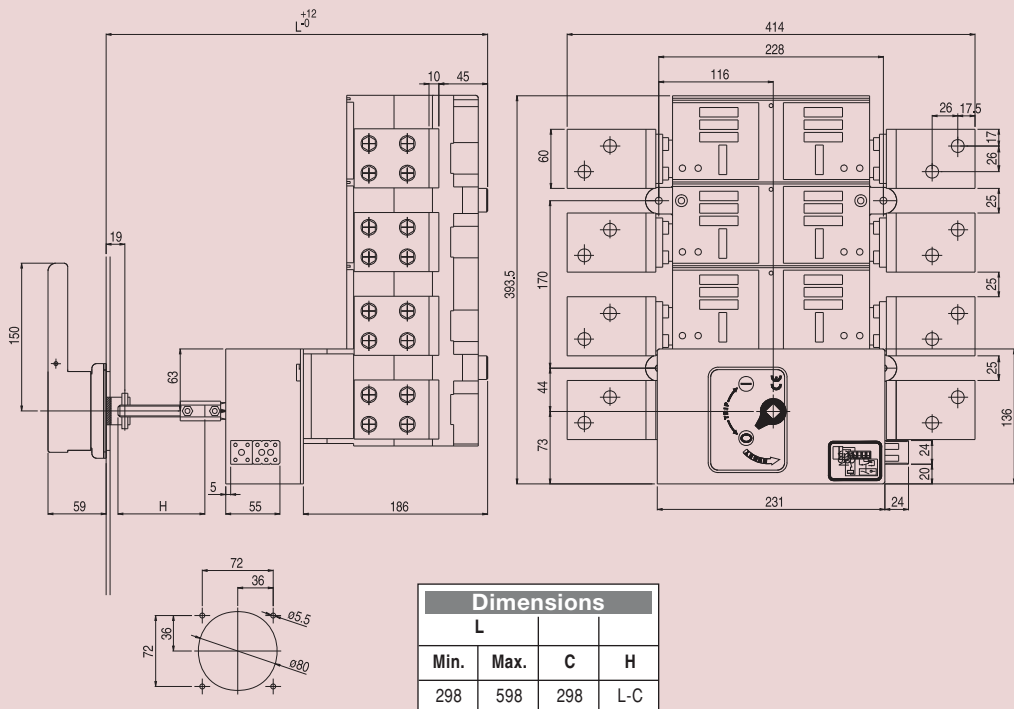


## Dimensions

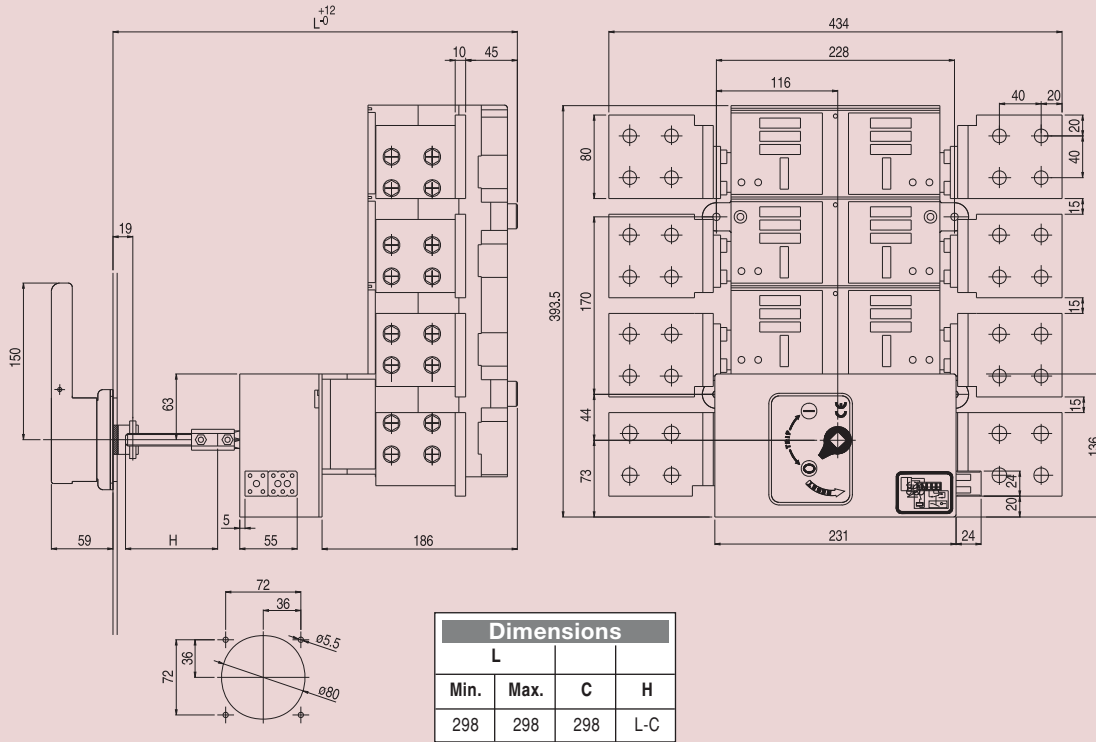
### Dilos 6S BA



### Dilos 7S BA



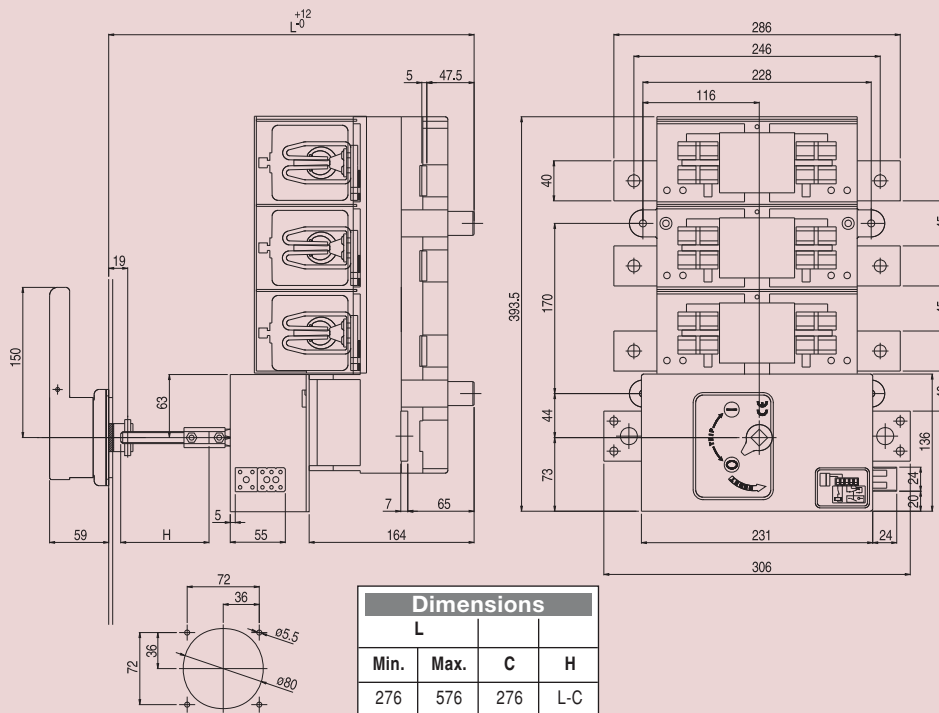
### Dilos 8S BA



Dilos/Fulos

D  
73

### Fulos 3S BA - DIN NH3

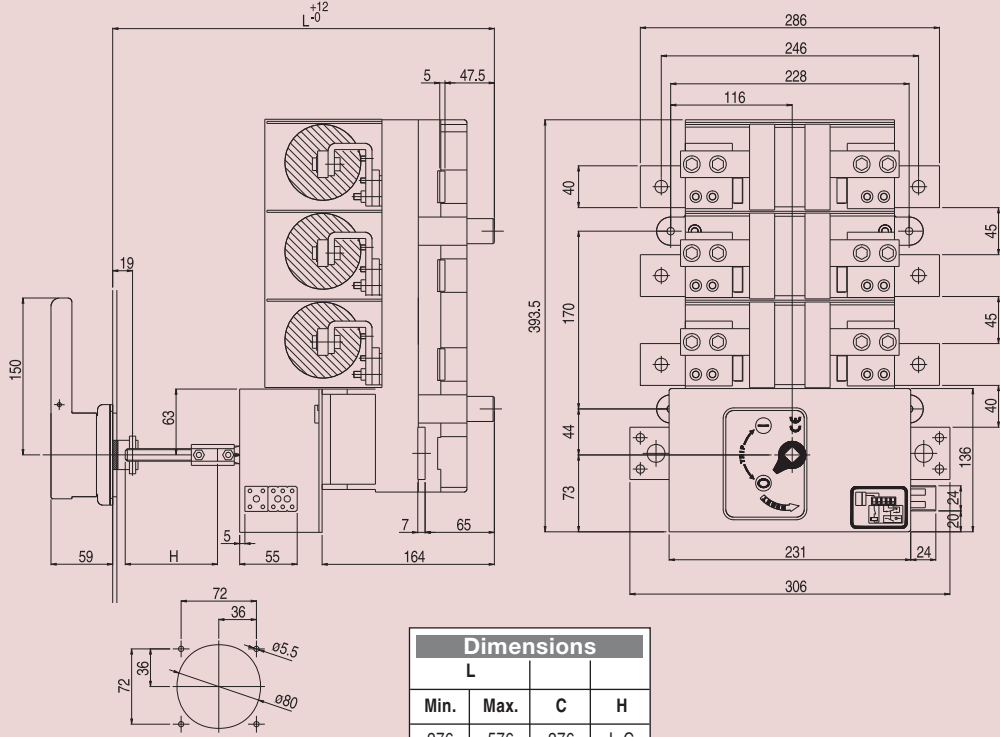


## Dimensions

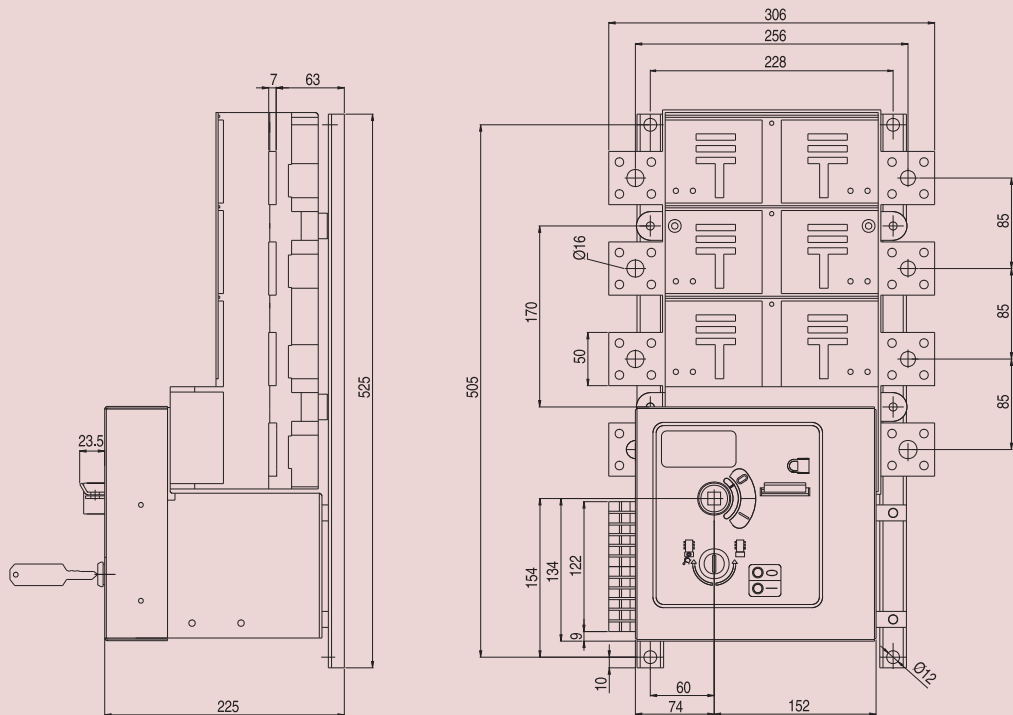
Dimensions

D  
74

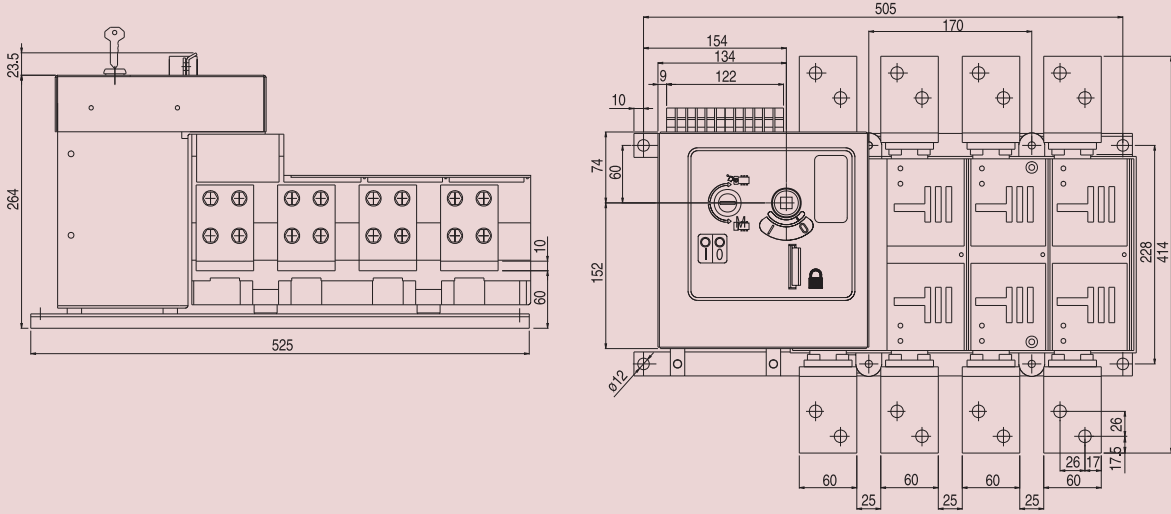
### Fulos 3S BA - BS C1/C2/C3



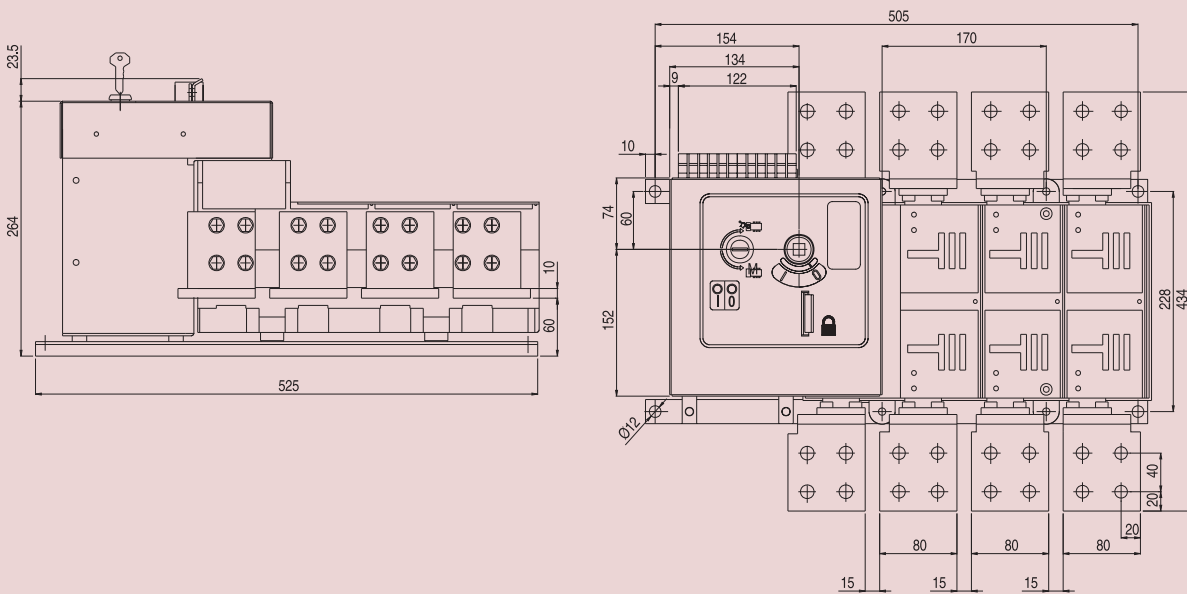
### Dilos 6S MO



### Dilos 7S MO

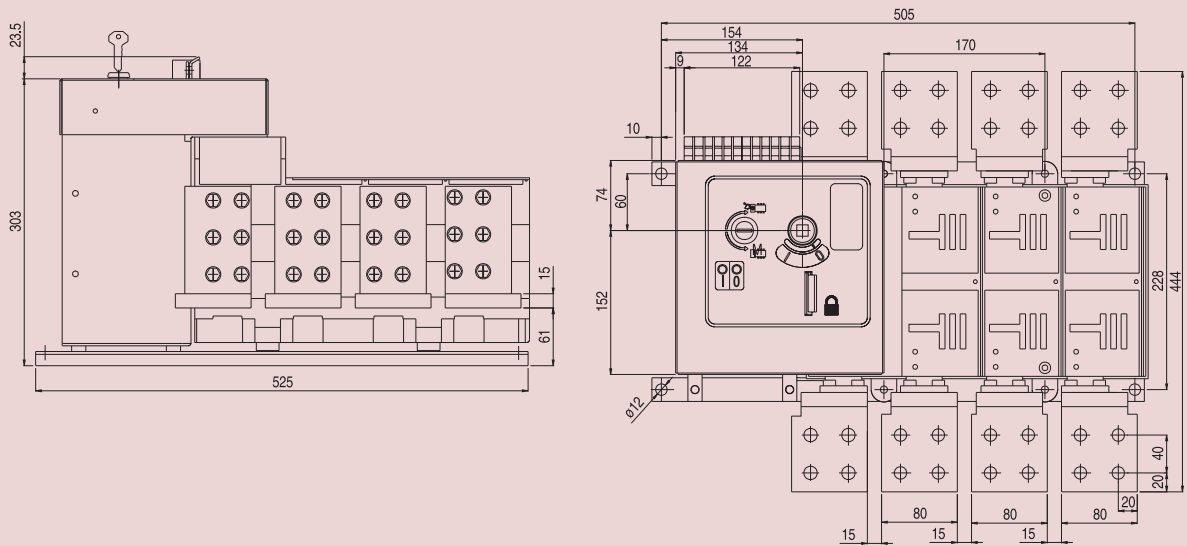


### Dilos 8S MO - 2000A

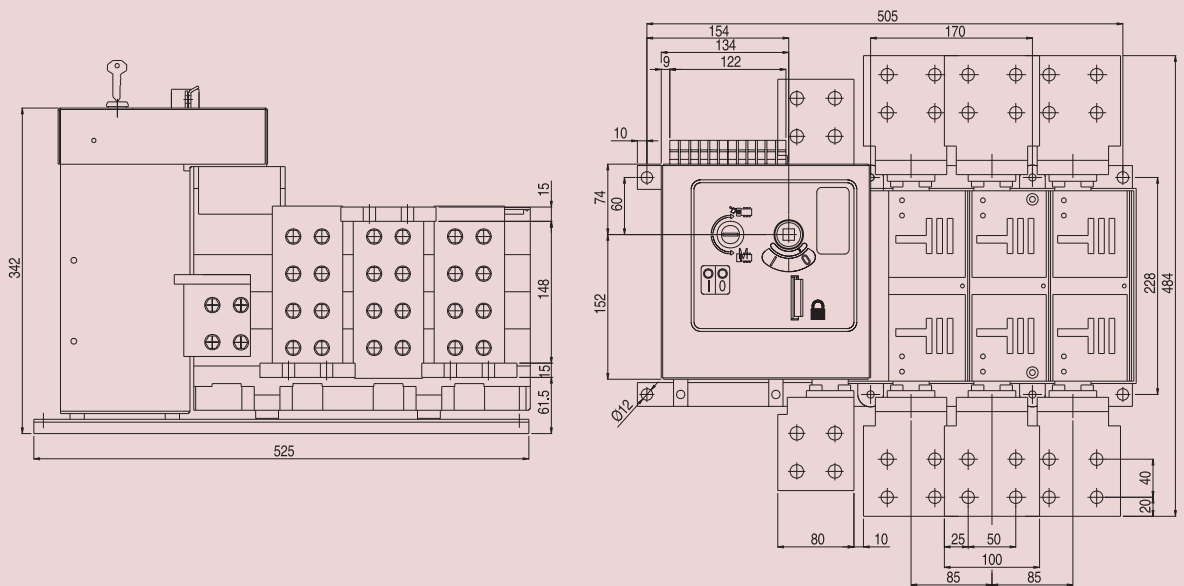


## Dimensions

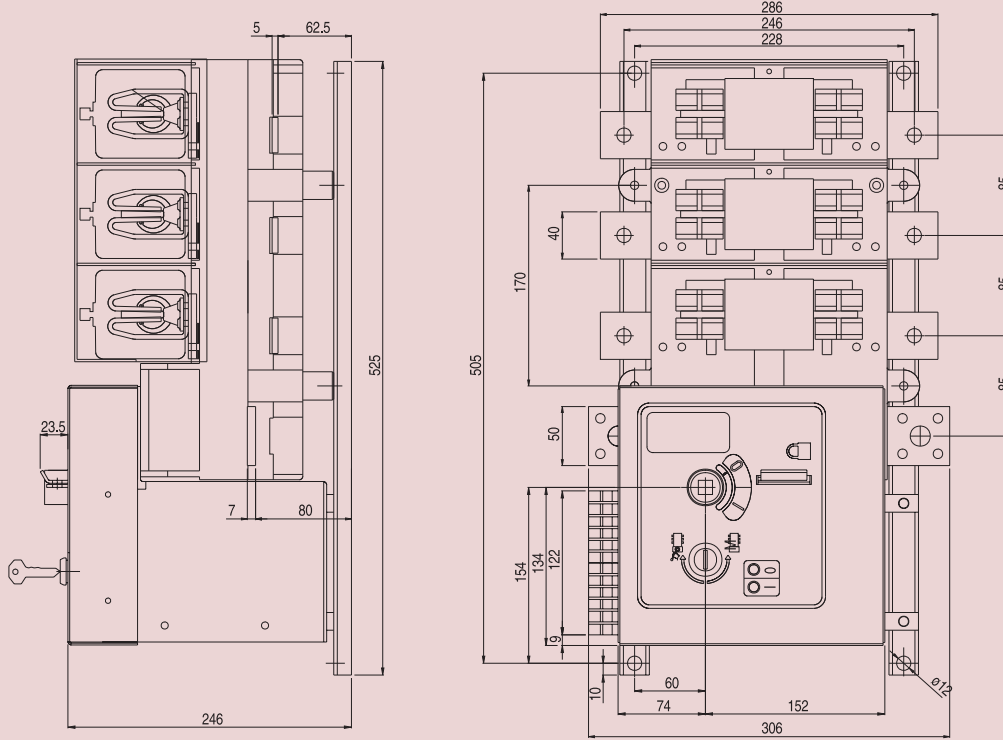
### Dilos 8S MO - 2500A



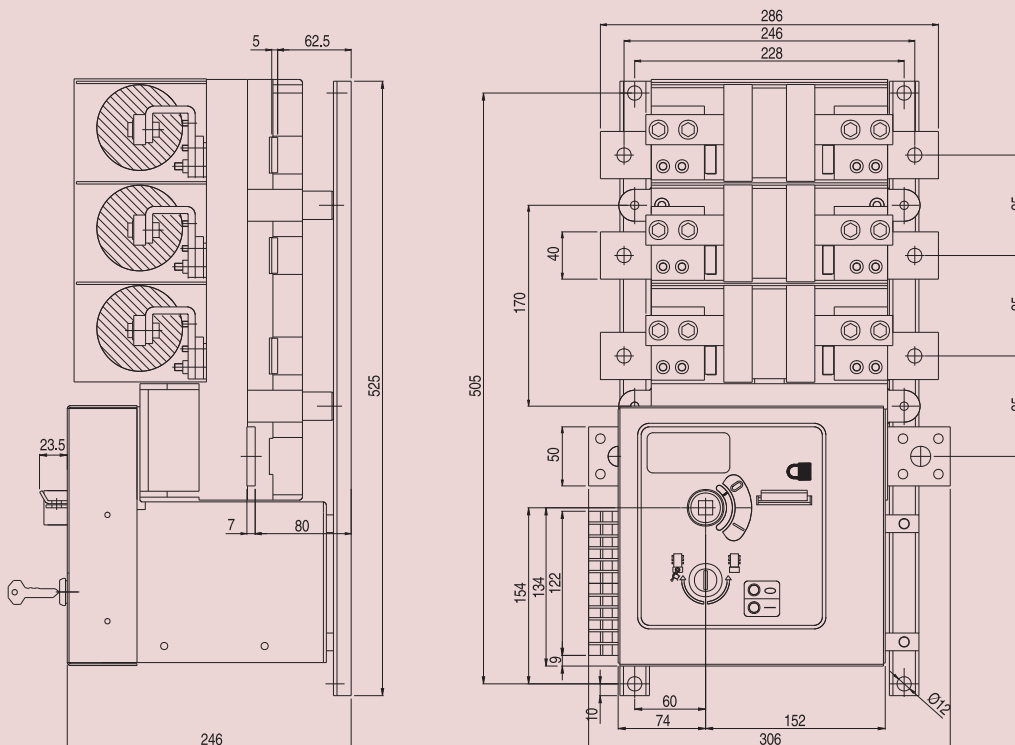
### Dilos 9S MO



**Fulos 3S MO - DIN NH3**



**Fulos 3S MO - BS C1/C2/C3**

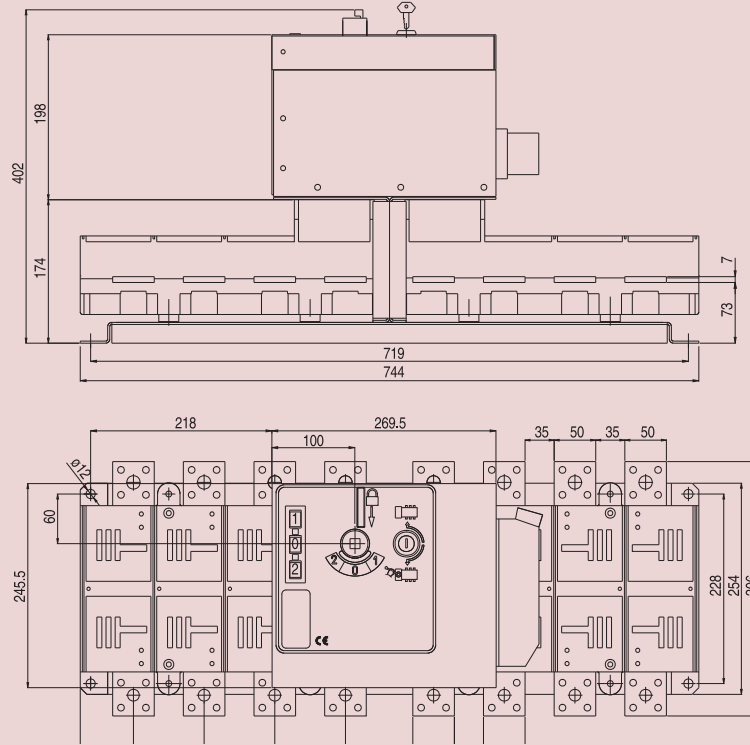


## Dimensions

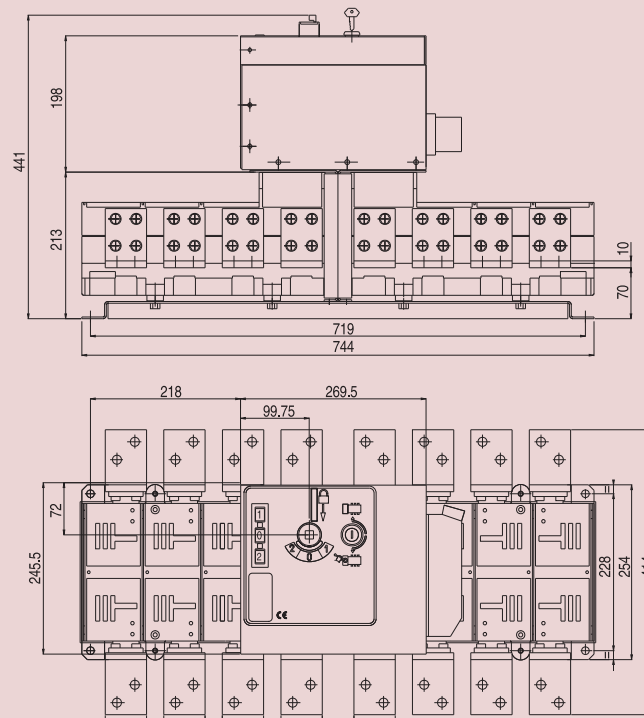
Dimensions

D  
78

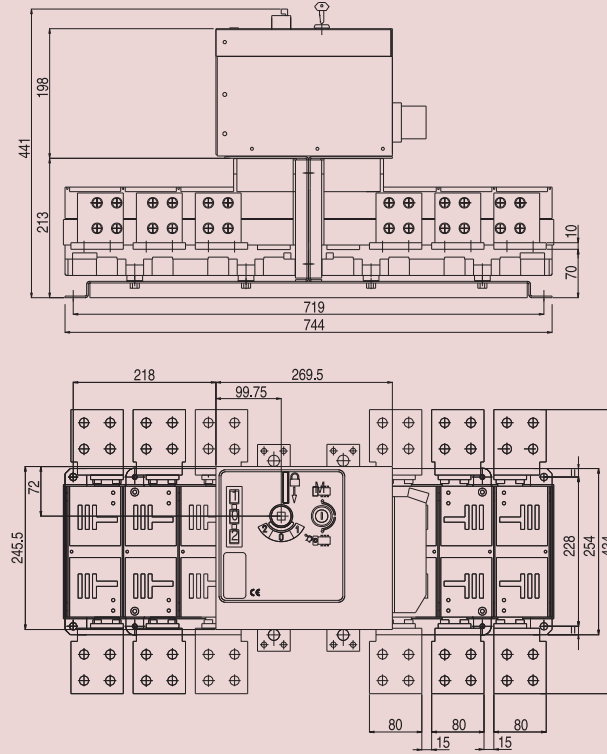
### CO-Dilos 6S MO



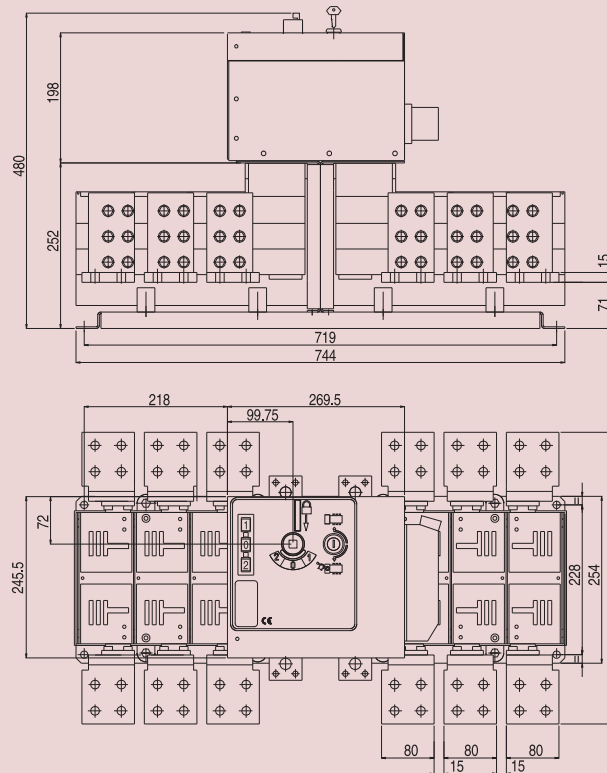
### CO-Dilos 7S MO



**CO-Dilos 8S MO - 2000A**



**CO-Dilos 8S MO - 2500A**



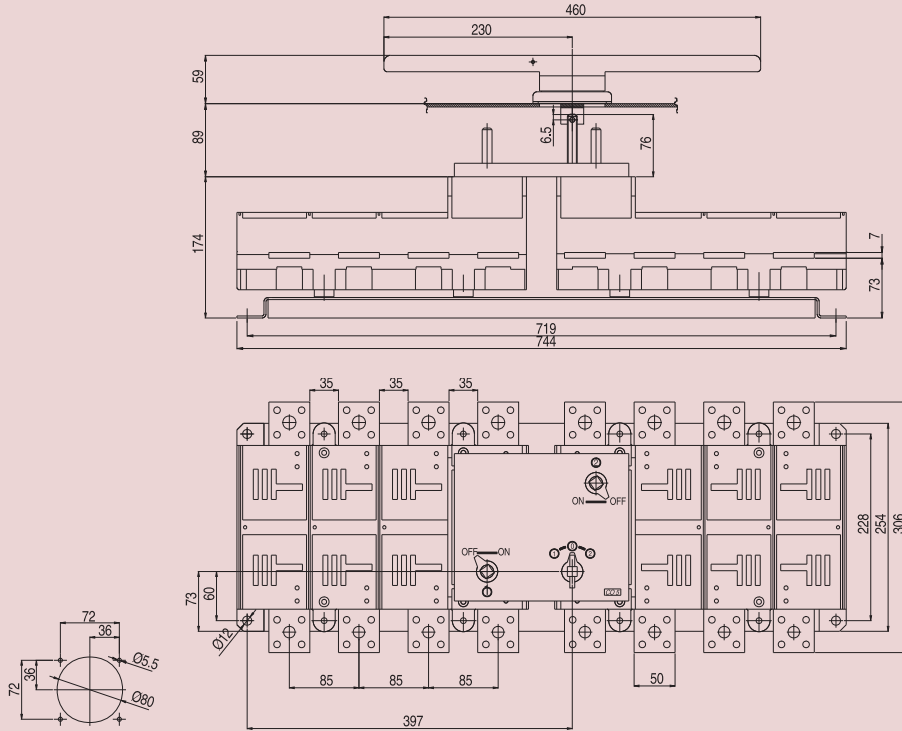


## Dimensions

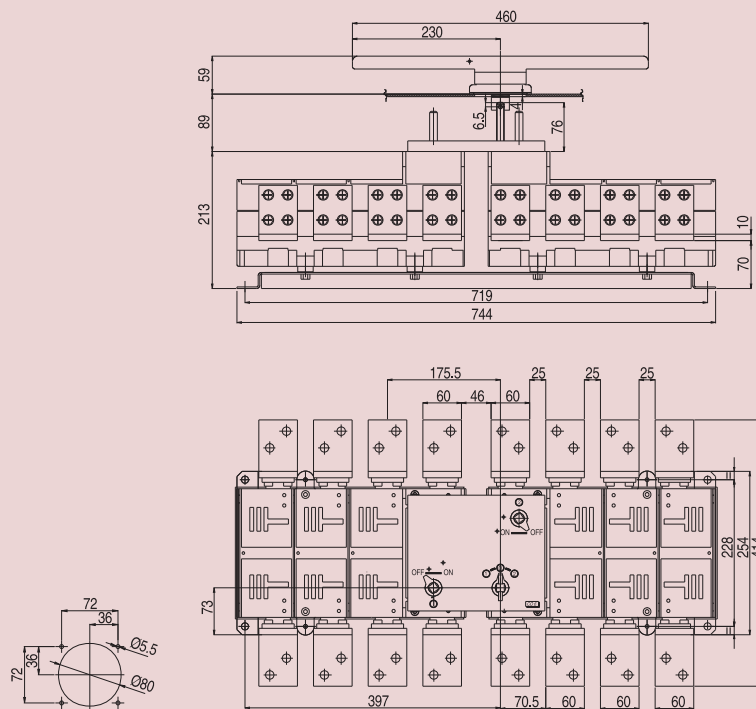
Dimensions

D  
80

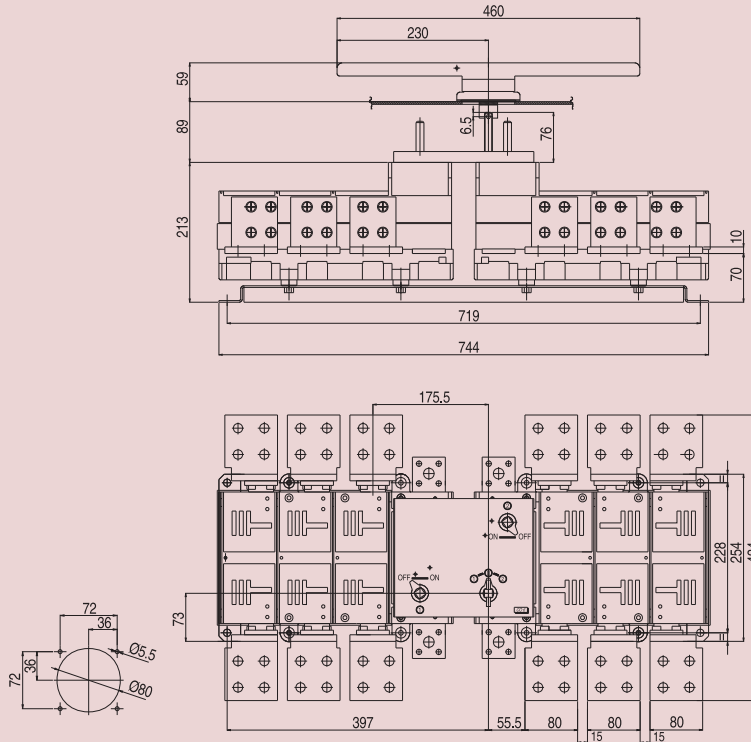
### CO-Dilos 6S



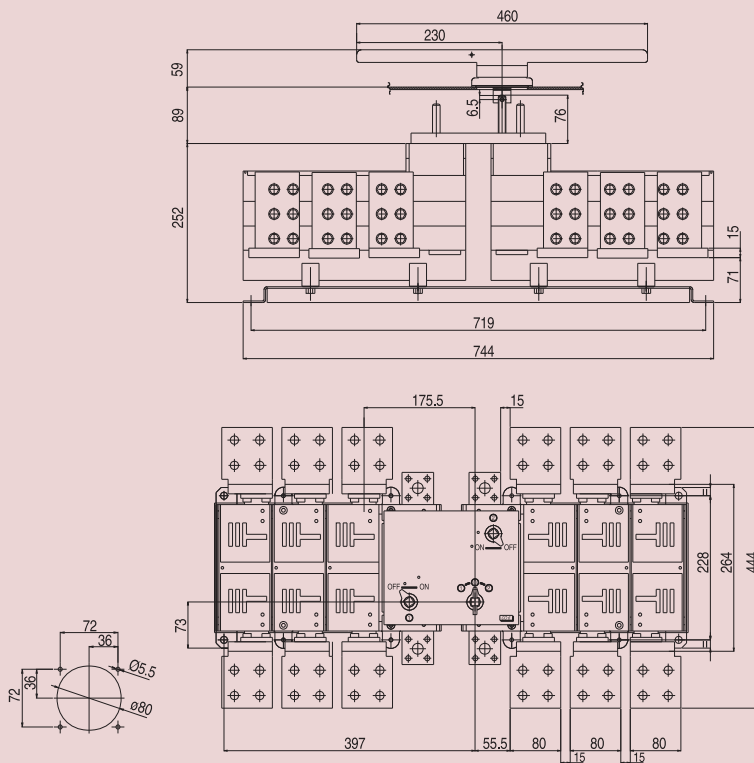
### CO-Dilos 7S



**CO-Dilos 8S - 2000A**

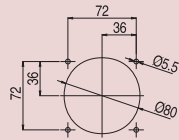
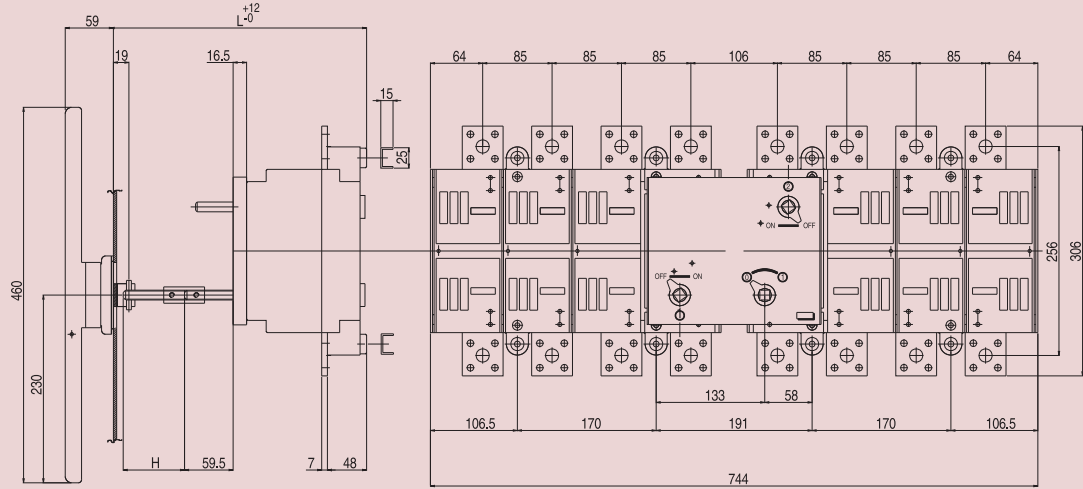


**CO-Dilos 8S - 2500A**



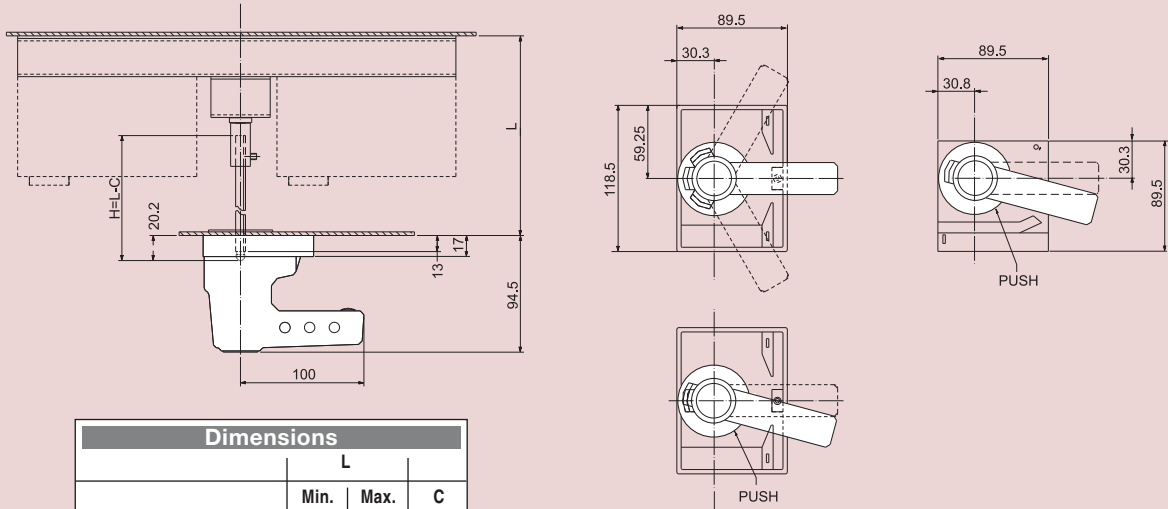
## Dimensions

### 6P Dilos 6S

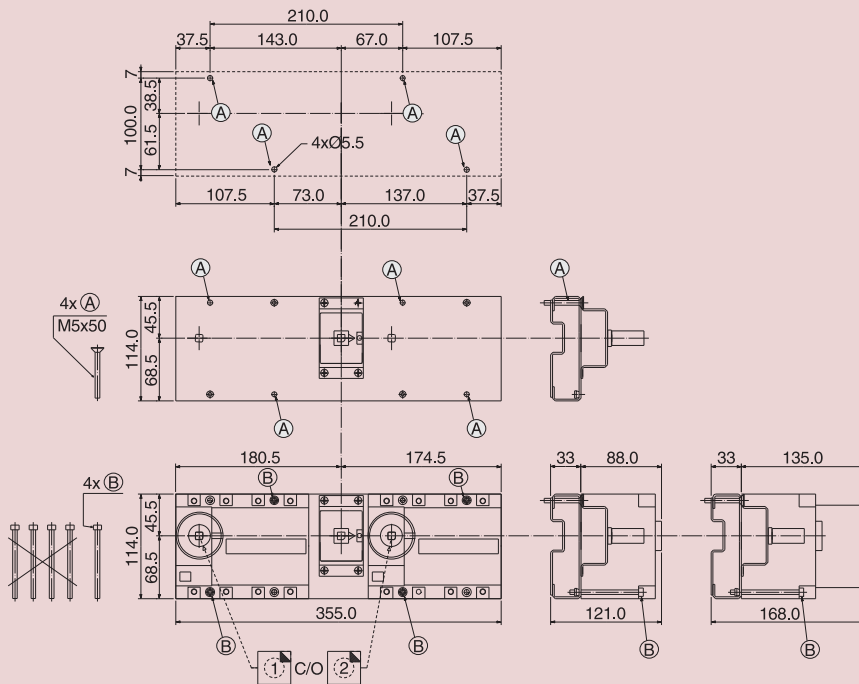
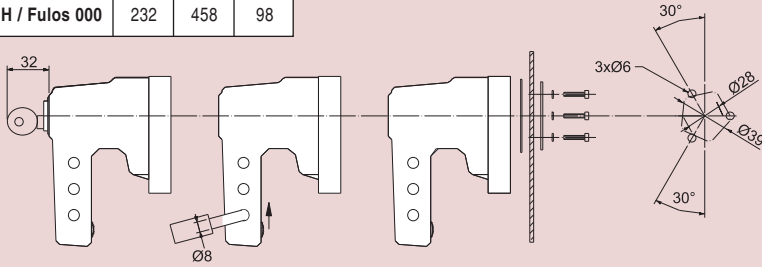


Dimensions			
L			
Min.	Max.	C	H
235	535	235	L-C

**Changeover (CO) system - 6/8P system - Dilos 1H / Fulos 000**

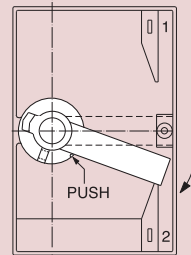
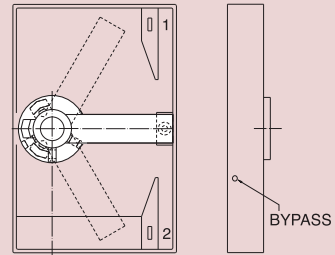
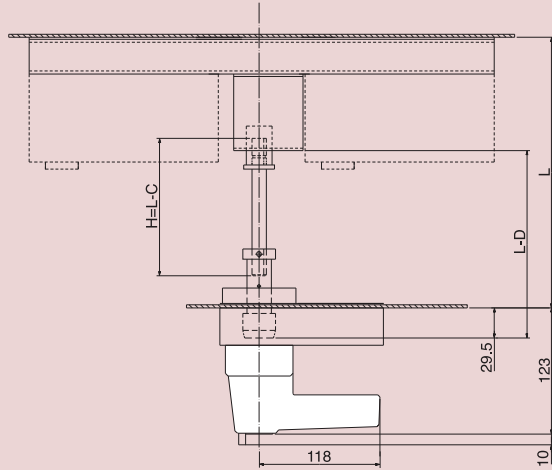


	Dimensions		
	L		C
	Min.	Max.	
CO Dilos 1H / Fulos 000	186	458	98
6/8P Dilos 1H / Fulos 000	232	458	98

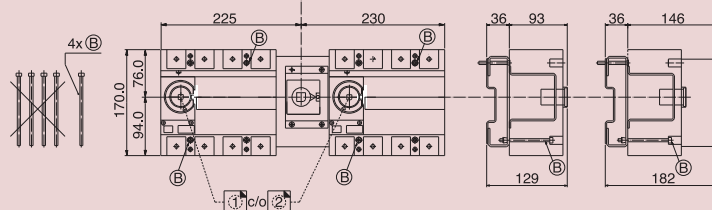
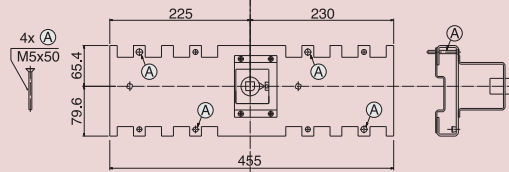
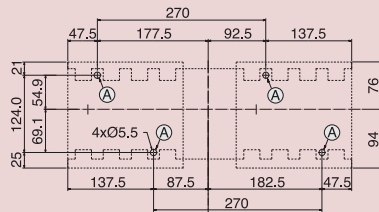
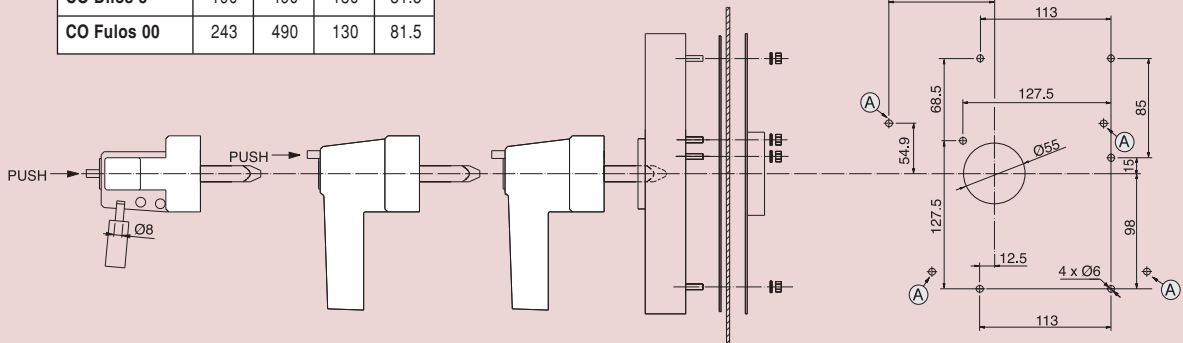


## Dimensions

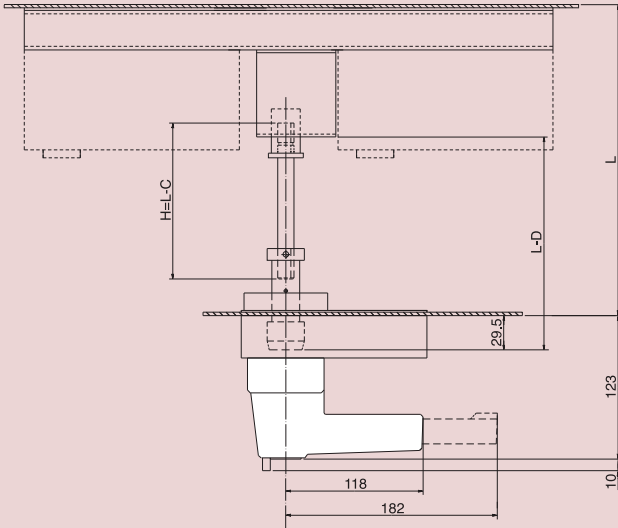
### Changeover (CO) system - Dilos 3 / Fulos 00



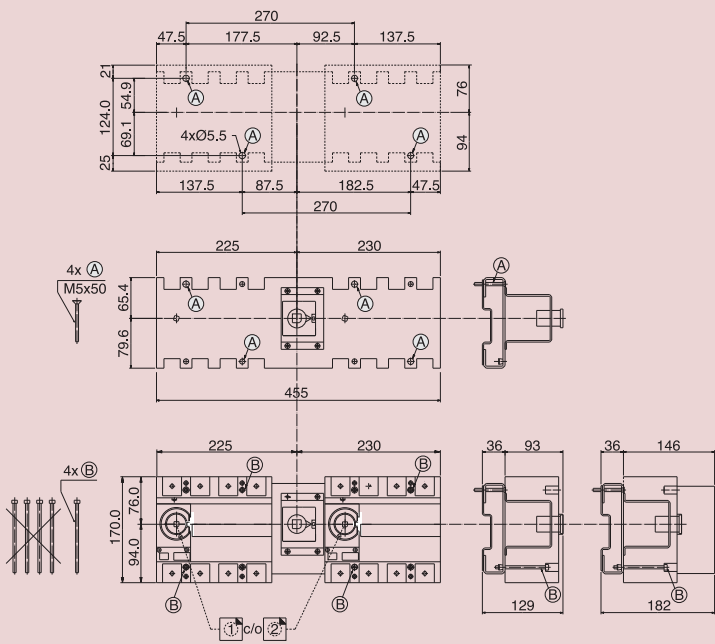
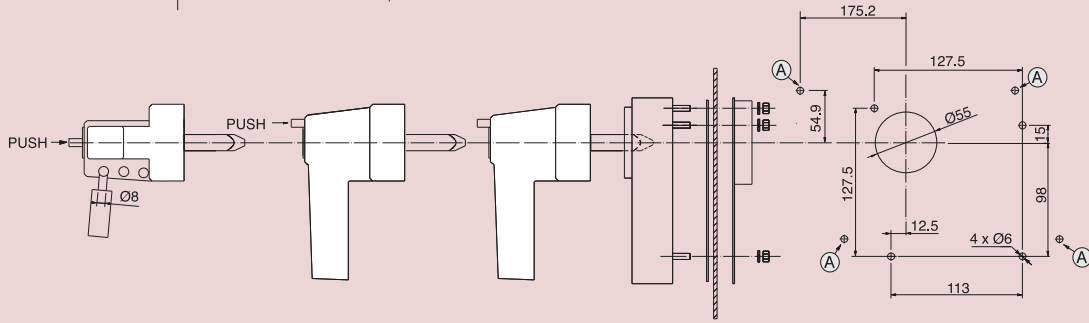
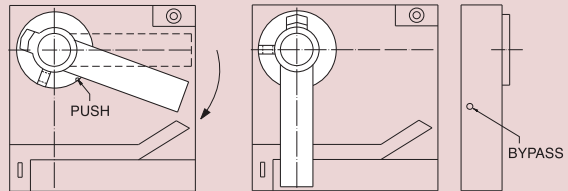
Dimensions				
	L		C	D
	Min.	Max.		
CO Dilos 3	190	490	130	81.5
CO Fulos 00	243	490	130	81.5



**6/8P system - Dilos 3 / Fulos 00**



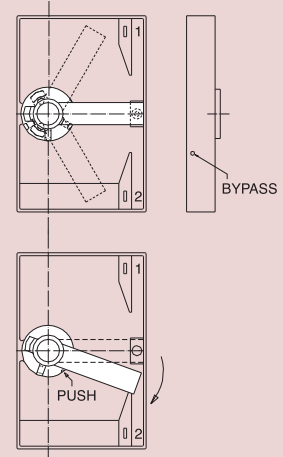
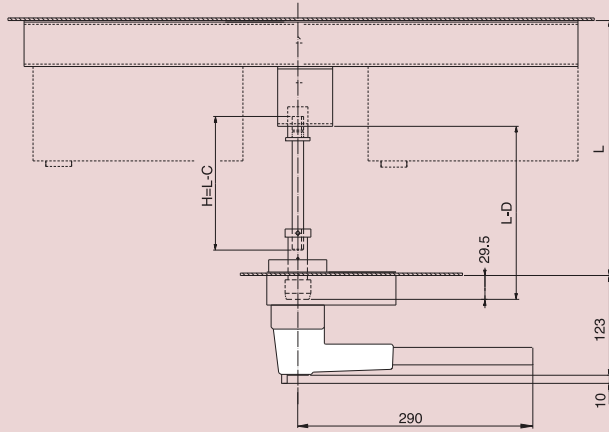
	L			
	Min.	Max.	C	D
6/8P Dilos 3	190	490	130	81.5
6/8P Fulos 00	243	490	130	81.5



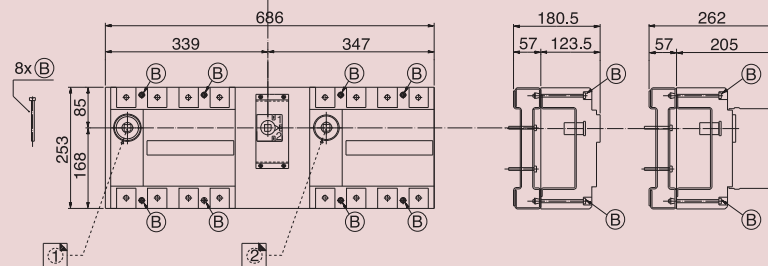
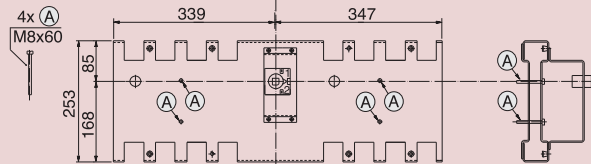
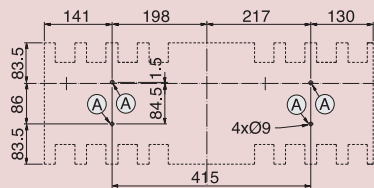
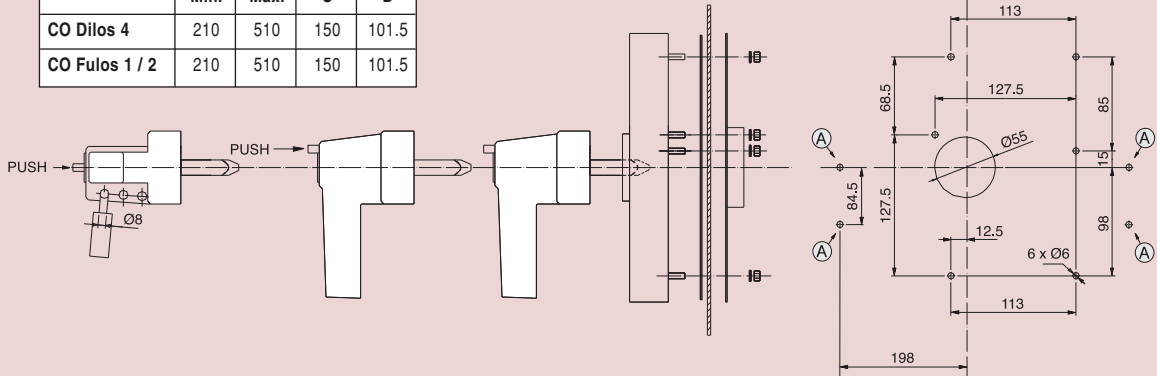
## Dimensions

### Changeover (CO) system - Dilos 4 - Fulos 1 / 2

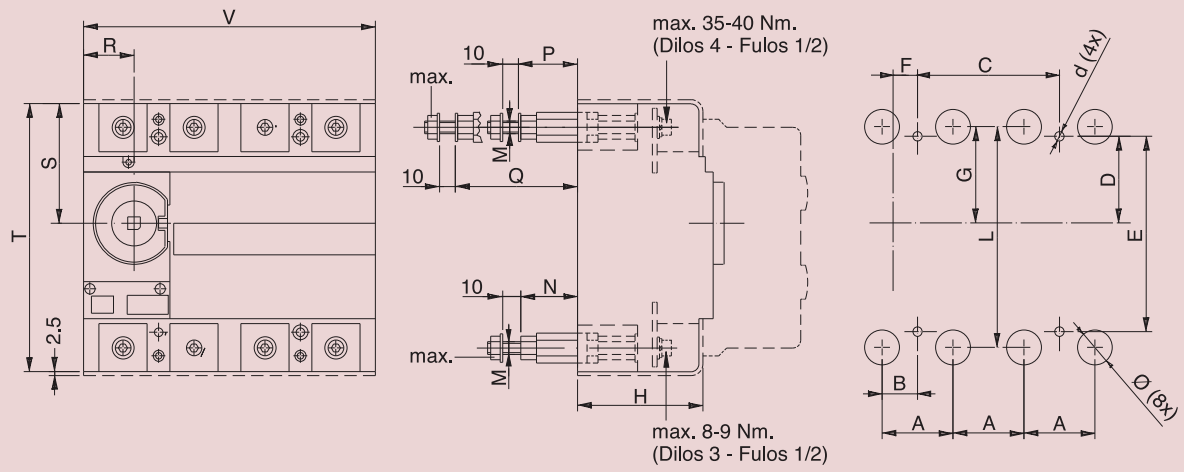
Dimensions



Dimensions				
	L		C	D
	Min.	Max.		
CO Dilos 4	210	510	150	101.5
CO Fulos 1 / 2	210	510	150	101.5

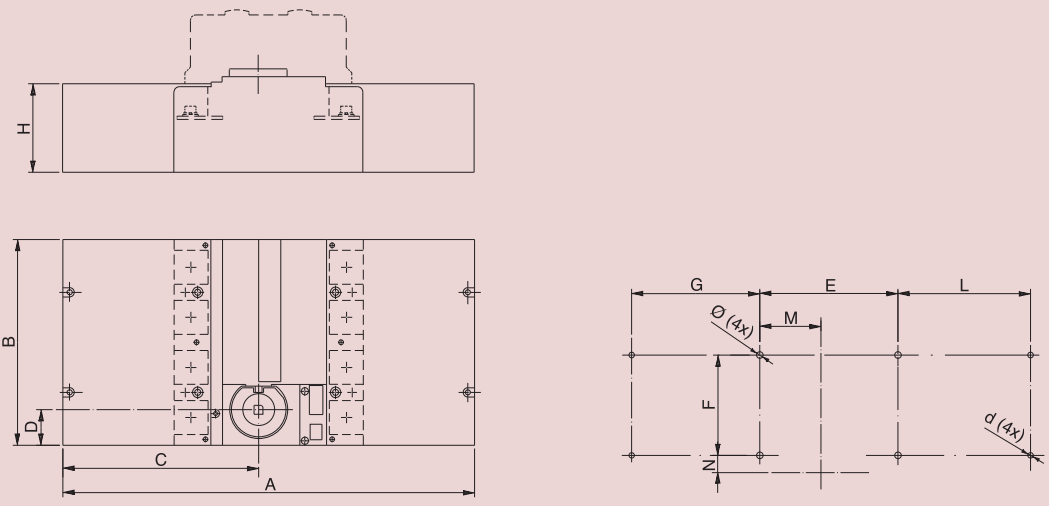


**Rear terminals - Dilos 3 / 4 - Fulos 00 / 1 / 2**



Dimensions																				
	A	B	C	D	E	F	G	H	L	M	N	Ø	d	MAX.	P	Q	R	S	T	V
Dilos 3 - Fulos 00	45	22.5	90	55	124	15.5	61	80	140	M8	36	22	6	6Nm	-	-	32	76	170	185
Dilos 4 - Fulos 1 / 2	65	32.5	130	68.5	220	30	63.5	110	210	M14	-	30	7	19Nm	51	98	35	85	253	260

**Terminal covers - Dilos 3 / 4 - Fulos 00 / 1 / 2**



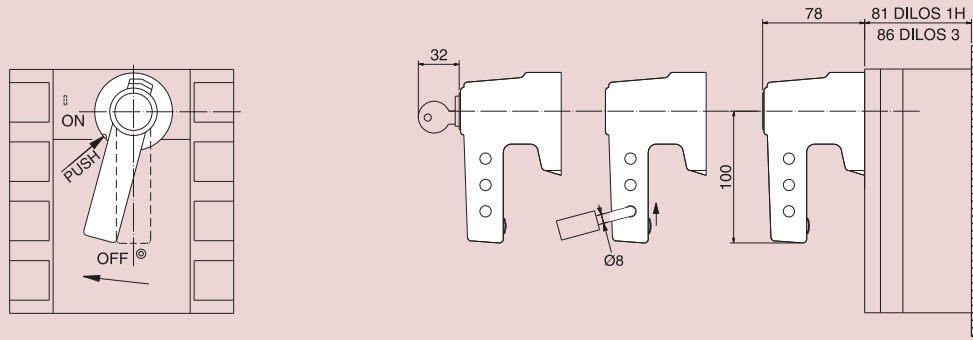
Dimensions													
	A	B	C	D	E	F	G	H	L	M	N	Ø	d
Dilos 3 - Fulos 00 Long	370	185	176	32	124	90	115	80	119	55	15.5	6	5
Dilos 4 - Fulos 1 / 2 Long	433	260	175	35	220	130	100.5	109	100.5	68.5	30	7	5
Dilos 3 - Fulos 00 Short	250	185	116	32	124	90	55	80	59	65	15.5	6	5
Dilos 4 - Fulos 1 / 2 Short	363	260	140	35	220	130	73	109	65.5	68.5	30	7	5



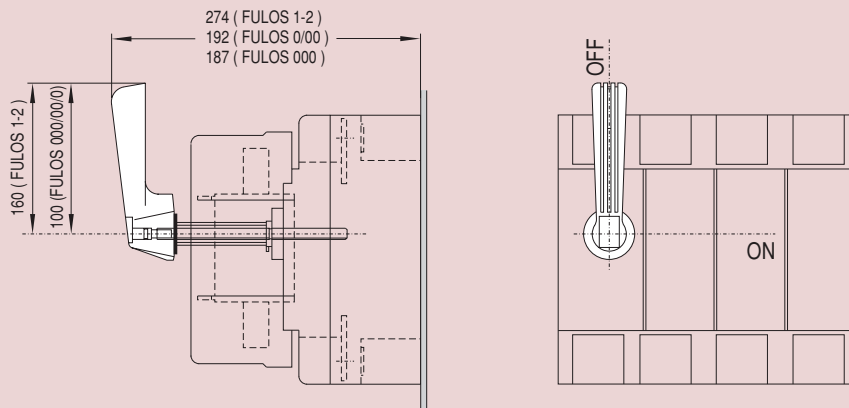


## Dimensions

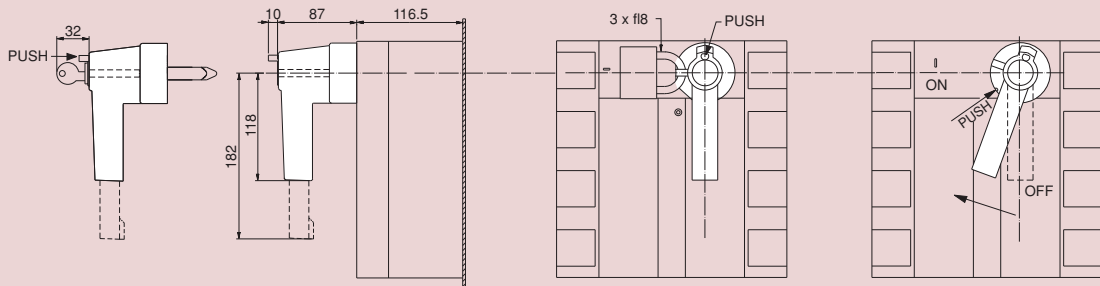
### Direct handles for Dilos 1H and Dilos 3



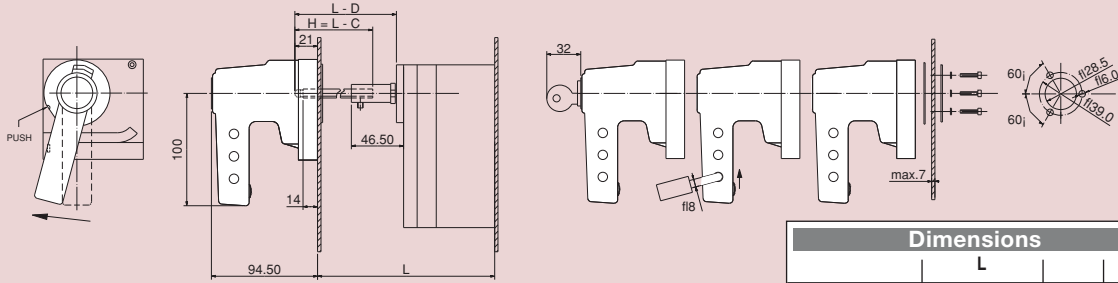
### Direct handles for Fulos 000 / 00 / 1 / 2



### Direct handles for Dilos 4

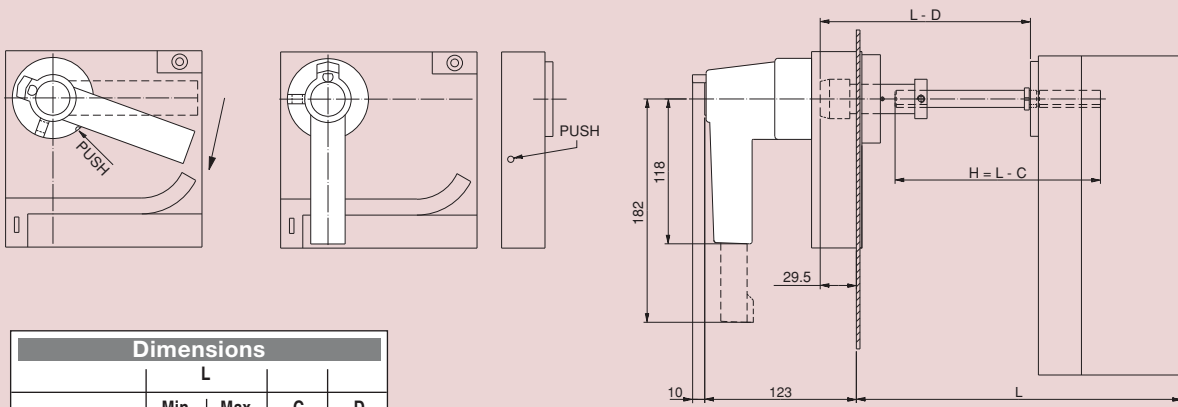


**Handles for cover or hinged door - Dilos 1H / 3 - Fulos 000 / 00**

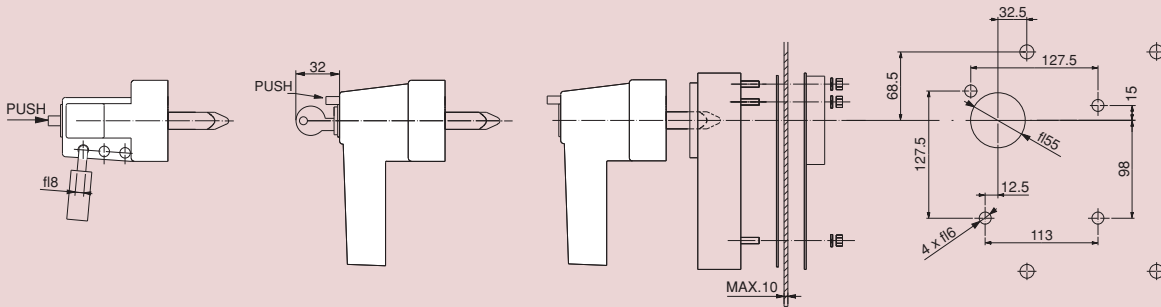


	Dimensions			
	L		C	D
	Min.	Max.		
<b>Dilos 1H</b>	137	396	89	68
<b>Fulos 000</b>	148	396	89	68
<b>Dilos 3</b>	142	401	94	73
<b>Fulos 00</b>	160	401	95	73

**Direct handles for Dilos 4 - Fulos 1 / 2**

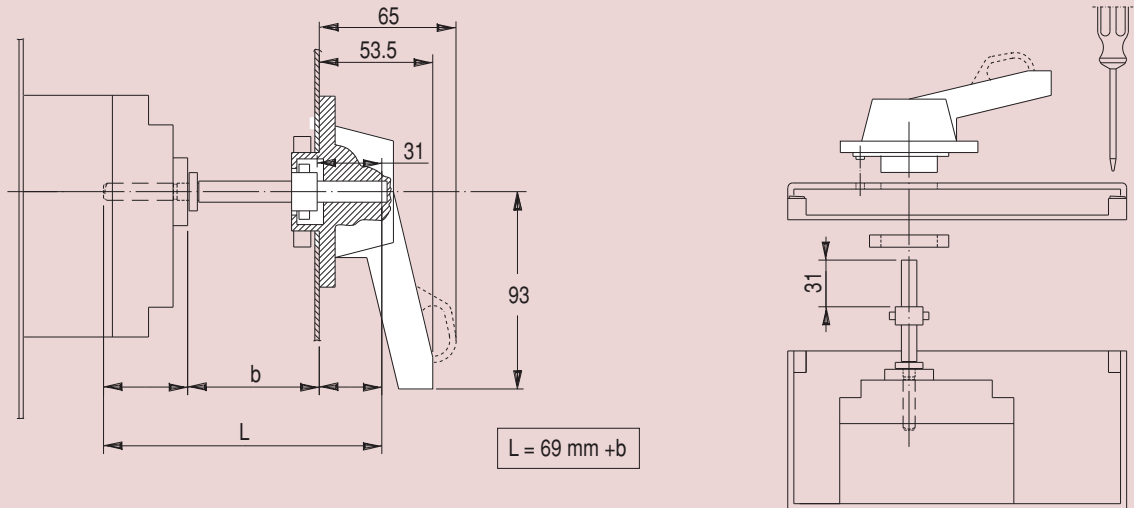


	Dimensions			
	L		C	D
	Min.	Max.		
<b>Dilos 4</b>	186	458	98	93.5
<b>Fulos 1 / 2</b>	232	458	98	93.5

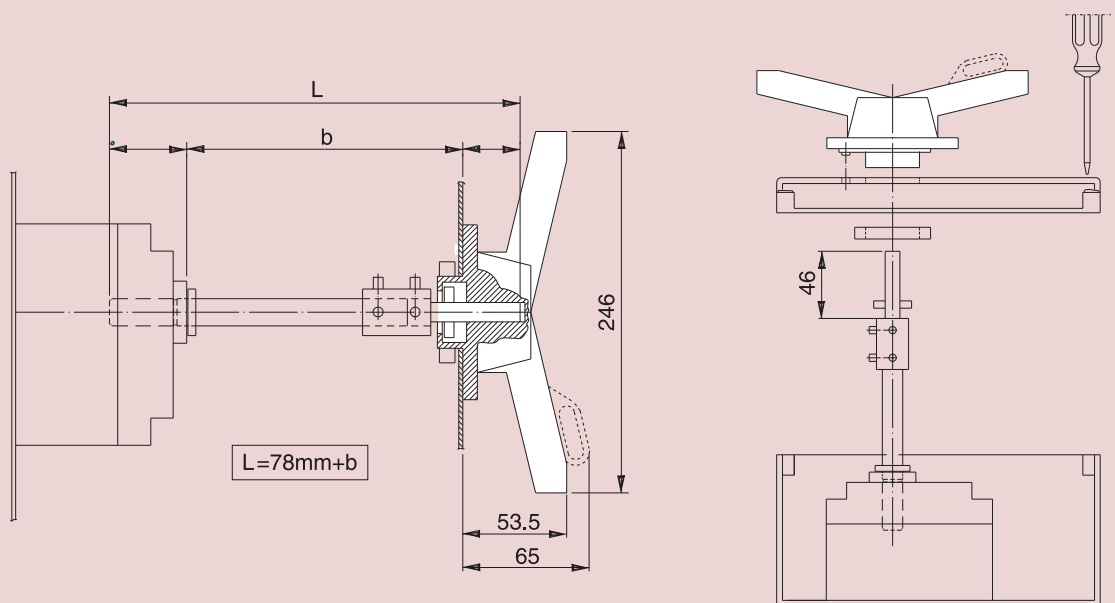


## Dimensions

### Handles for inner door (reduced depth) - Dilos 1H / 3 - Fulos 000 / 00



### Handles for inner door (reduced depth) - Dilos 4 - Fulos 1 / 2



## *Numerical index*

D.92 Reference number  
D.94 Catalogue number





Ref. no.	Cat. no.	Page
731752	D/661771-251	D.23
731754	D/661782-251	D.23
731755	D/661782-255	D.51
731756	D/661782-285	D.49
731761	D/661785-251	D.23
731762	D/661785-255	D.51
731763	D/661785-285	D.49
731769	D/661793-251	D.25
731773	D/661793-281	D.48
731786	D/661960-231	D.21
731787	D/661960-245	D.21
731788	D/661960-251	D.21
731792	D/661970-245	D.23
731794	D/661971-201	D.25
731795	D/661971-202	D.25
731798	D/661980-245	D.23
731800	D/661990-245	D.25
731815	D/662361-231	D.41
731818	D/662361-273	D.45
731819	D/662361-281	D.48
731825	D/662362-231	D.41
731828	D/662362-273	D.45
731829	D/662362-281	D.48
731835	D/662363-231	D.41
731838	D/662363-273	D.45
731839	D/662363-281	D.48
731845	D/662461-231	D.41
731848	D/662461-273	D.45
731849	D/662461-281	D.48
731855	D/662462-231	D.41
731858	D/662462-273	D.45
731859	D/662462-281	D.48
731865	D/662463-231	D.41
731868	D/662463-273	D.45
731869	D/662463-281	D.48
731881	D/662960-200	D.51
731882	D/662960-231	D.21
731883	D/662960-232	D.21
731884	D/662960-251	D.21
731885	D/662960-252	D.21
731895	D/662962-223	D.21
731896	D/662962-224	D.21
731897	D/662962-225	D.41
731898	D/662962-227	D.21
731903	D/662970-231	D.41
731906	D/662972-229	D.41
731919	D/062312-232	D.29
731921	D/062412-232	D.29
731923	D/062512-232	D.29
731925	D/062322-242	D.33
731927	D/062422-242	D.33
731929	D/062522-242	D.33
731931	D/062342-222	D.37
731933	D/062442-222	D.37
731935	D/062542-222	D.37
769080	D/769080-000	D.15





Cat. no.	Ref. no.	Page
D/661960-231	731786	D.21
D/661960-245	731787	D.21
D/661960-251	731788	D.21
D/661970-245	731792	D.23
D/661971-201	731794	D.21
D/661971-202	731795	D.21
D/661980-245	731798	D.23
D/661990-245	731800	D.25
<b>D/662000</b>		
D/662361-231	731815	D.41
D/662361-273	731818	D.45
D/662361-281	731819	D.48
D/662362-231	731825	D.41
D/662362-273	731828	D.45
D/662362-281	731829	D.48
D/662363-231	731835	D.41
D/662363-273	731838	D.45
D/662363-281	731839	D.48
D/662461-231	731845	D.41
D/662461-273	731848	D.45
D/662461-281	731849	D.48
D/662462-231	731855	D.41
D/662462-273	731858	D.45
D/662462-281	731859	D.48
D/662463-231	731865	D.41
D/662463-273	731868	D.45
D/662463-281	731869	D.48
D/662960-200	731881	D.21
D/662960-231	731882	D.21
D/662960-232	731883	D.21
D/662960-251	731884	D.21
D/662960-252	731885	D.21
D/662962-223	731895	D.21
D/662962-224	731896	D.17
D/662962-225	731897	D.41
D/662962-227	731898	D.21
D/662970-231	731903	D.41
D/662972-229	731906	D.41
D/769080-000	769080	D.15
<b>P9B...</b>		
P9B01VR	187003	D.19
P9B10VN	187002	D.19
<b>V/333-013...</b>		
V/333-013721	652062	D.9
V/333-013723	652063	D.9
V/333-013732	652017	D.9
V/333-013733	652018	D.9
V/333-013734	652019	D.9
V/333-013736	652020	D.9
V/333-013742	652021	D.9
V/333-013743	652022	D.9
V/333-013744	652023	D.9
V/333-013746	652024	D.9
V/333-013760	652016	D.9
V/333-013762	652025	D.9
V/333-013763	652026	D.9
V/333-013764	652027	D.9
V/333-013766	652028	D.9

The policy of GE Power Controls is one of continuous improvement. The right is reserved to alter the design or any structural details of the products at any time without giving notice.

October 2003  
GE Power Controls





**Notes**

