



Dilos/Fulos

Loadbreak disconnectors
Fused loadbreak disconnectors



GE imagination at work

Benefits	A
Order codes	B
Technical data	C
Installation facilities	D
Dimensions	E
Numerical Index	X

Dilos Loadbreak disconnectors 16A up to 4000A
Fulos Fused loadbreak disconnectors 32A up to 1000/1250A
Fulos Plus New Generation Fused loadbreak disconnectors 32A up to 63A

The new generation of loadbreak disconnectors Dilos, the fused execution Fulos, Fulos Plus and the changeover switches meet today's tertiary and industrial market needs.

Featuring superior technical performance, the switches satisfy the requirements of all modern low voltage installations of which the short-circuit level can now be calculated rapidly, reliable and durable at each level in the installation with adapted software (Procera Plus....).

They comply with the latest specifications and safety requirements such as visible contact indication, positive contact indication (PCI), quick make and quick break operation, independent opening and closing mechanism, by-pass and padlocking features, auxiliary contacts, etc.

The concept integrates the requirements of installers and panelbuilders: fast and easy installation, reliable and durable connections.

Features

- Complete choice of current ratings
- In Dilos from 16A up to 4000A
- In Fulos from 32A up to 1000A/1250A
- Compact moulded body with transparent cover (visible contacts)
- Universal mechanism (unambiguous)
- Clear "ON/OFF" indication
- Double break contacts with separate arcing contacts
- Padlocking in "OFF" – position up to three padlocks
- Very high short-circuit resistance
- Extension shaft with defeat mechanism and positive contact indication

Applications

Dilos and Fulos switches can be utilised as:

- main switch
- outgoing switch
- incoming switch
- coupling switch

The compact design allows easy mounting in all types of enclosures, distribution boards and industrial panels.



Complete range

Dilos

Rated current (A)	20	32	40	63	80	100	125	160	200	250	315	400	630	800	1000	1250	1600	2000	2500	3150	4000	
DIN-rail			Dilos 0						Dilos 2													
		Dilos 00						Dilos 2														
			Dilos 1							Dilos 3					Dilos 6s				Dilos 8s			
Wall mounted		Dilos 0			Dilos 1H					Dilos 3			Dilos 4				Dilos 7s			Dilos 9s		
		Dilos 00																				

Fulos

Rated current (A)	20	32	40	63	80	100	125	160	200	250	315	400	630	800	1000	1250	1600	2000	2500	3150	4000	
DIN-rail	Fulos PLUS / NH-000																					
Wall mounted	Fulos PLUS / NH-000																					
	Fulos 000 / NH-000																					
	Fulos 00 / NH-00																					
				Fulos 1 / NH-1																		
					Fulos 2 / NH-2																	
												Fulos 3S / NH-3										
													Fulos 4 / NH-4									

Two systems

- **DIN-rail** type disconnectors from 16A up to 200A
The most complete range in the market
Easy to install
- **Wall mounted** disconnectors from 40A up to 4000A and fused disconnectors from 32A up to 1250A



Complete range of accessories

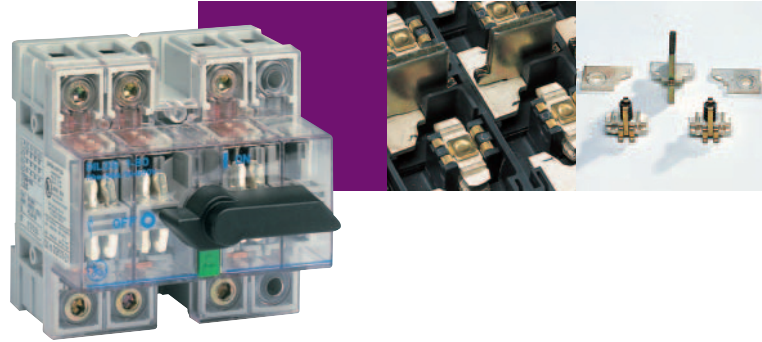
which are mostly common for all disconnectors

- Outside auxiliary contacts (simultaneously with main contact)
- Inside auxiliary contact (anticipated with main contact)
- Rotary handles (padlockable) with extension shafts
- Changeover systems
- Terminal covers



High performances

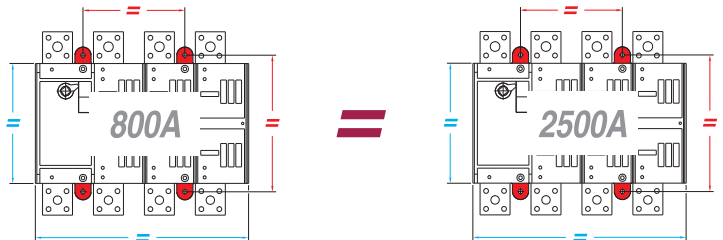
All disconnectors have double interruption on the four contact points to reach **high short-circuit resistance**



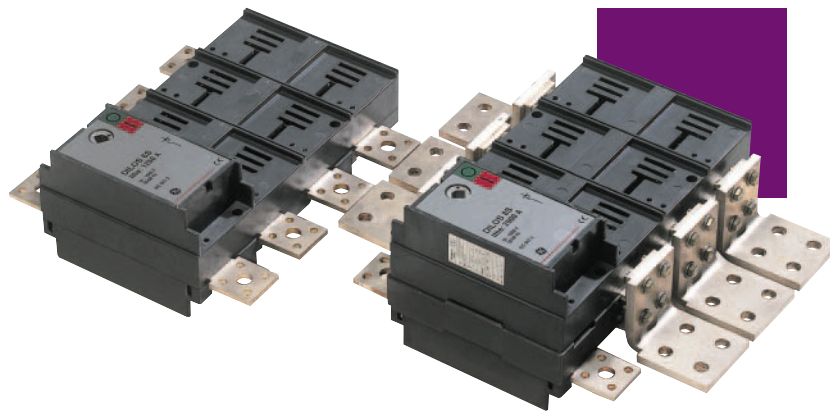
Easy to install

Disconnectors **Dilos S** (800A-3150A) and **Fulos 3S**

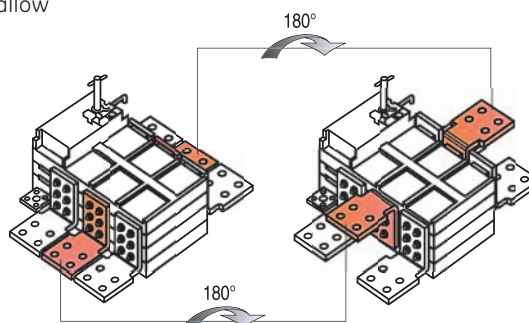
- One frame size (one dimension)
- Same fixation points for the installer
- Most compact size in the market



Unique layer system with **terminal connection** always at the same depth (800 up to 2500A)



The terminal connections (1600A-2500A) are symmetrical and can be turned 180° to allow **easy installation of current transformers**

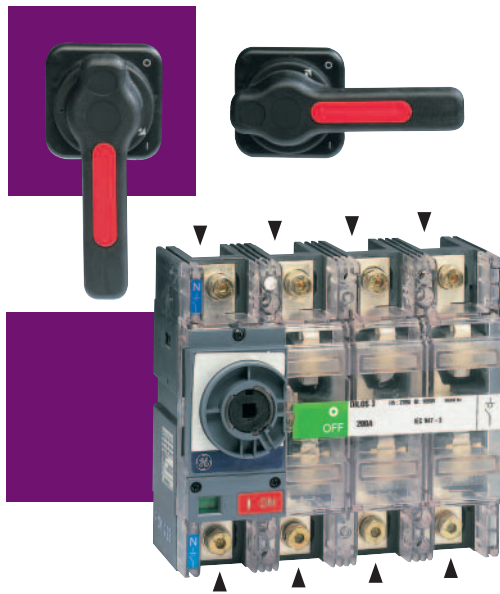


Safe and reliable

Visible contacts and disconnect functions



Independent opening and closing
 (quick make-quick brake),
 no intermediate position of the handle is possible

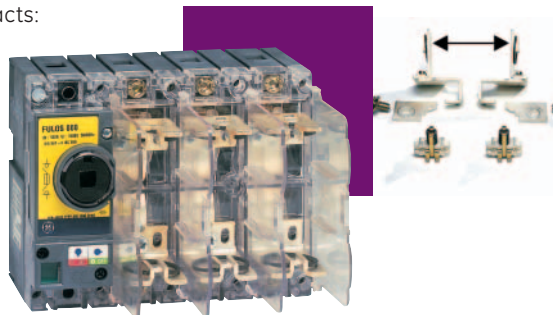


The power source for all disconnectors may be
 upstream or downstream

All disconnectors have a **defeat mechanism**



Fused disconnectors have double contacts:
replacement of the fuses
 is possible without any danger
 in OFF position and dead.



Just rel

- B.2 Dilos 00 - Dilos 0 - Loadbreak disconnectors 16A up to 63A
- B.6 Dilos 1 - Dilos 2 - Loadbreak disconnectors 40A up to 200A
- B.6 Elos - Loadbreak disconnectors 63A up to 125A
- B.10 Dilos 1H - Dilos 3 - Dilos 4 - Loadbreak disconnectors 40A up to 630A
- B.16 Dilos 6S - Loadbreak disconnectors 800A up to 1250A
- B.18 Dilos 7S - Dilos 8S - Loadbreak disconnectors 1600A up to 2500A
- B.20 Dilos 9S - Dilos 9 - Loadbreak disconnectors 3150A/4000A

- B.24 Fulos Plus - Fused loadbreak disconnectors 32A up to 63A
- B.27 Fulos 000 DIN - NF - BS - Fused loadbreak disconnectors 100A/125A
- B.30 Fulos 00 DIN - BS - Fused loadbreak disconnectors 160A/200A
- B.34 Fulos 1 DIN - BS - Fused loadbreak disconnectors 250A/200A
- B.34 Fulos 2 DIN - BS - Fused loadbreak disconnectors 400A
- B.38 Fulos 3S DIN - BS - Fused loadbreak disconnectors 630A
- B.40 Fulos 4 DIN - BS - Fused loadbreak disconnectors 800A up to 1250A

- B.42 Dilos BA - Loadbreak disconnectors with tripping device
- B.42 Fulos BA - Fused and loadbreak disconnectors with tripping device

- B.44 Dilos MO - Motorised loadbreak disconnectors
- B.44 Fulos MO - Motorised fused loadbreak disconnectors

- B.44 CO-Dilos MO - Motorised changeover loadbreak disconnectors
- B.48 CO-Dilos - Manual changeover loadbreak disconnectors
- B.48 6P Dilos - 6P loadbreak disconnectors

Benefits

Order codes

Technical data

Installation facilities

Dimensions

Numerical Index

A

B

C

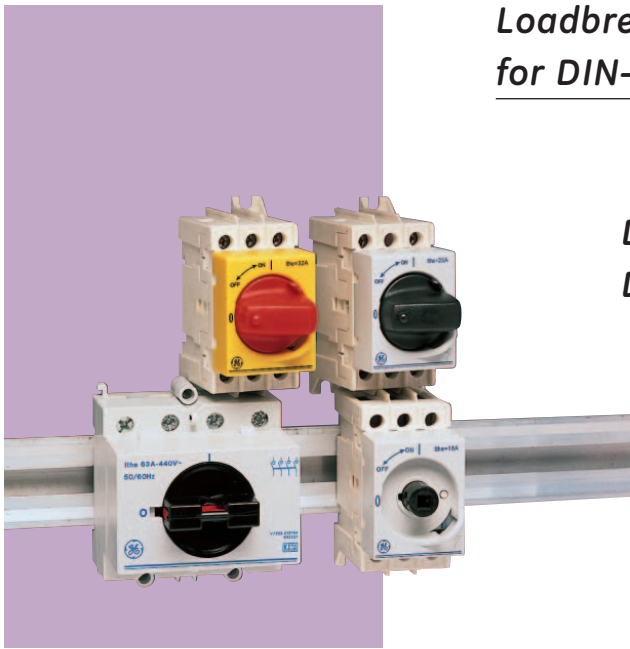
D

E

X

y on us





Loadbreak disconnectors for DIN-rail, wall and door mounting

Dilos 00 - 16A up to 40A
Dilos 0 - 32A up to 63A



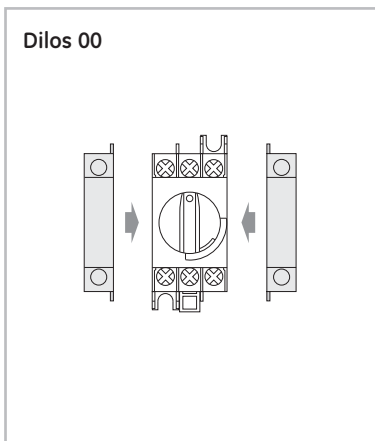
Applications



Approvals / Marking



Add-on devices



Performance

- DIN-rail type
- Disconnect function
- Complete range of add-on devices
- Double knife contacts for Dilos 0
- Number of poles 2P - 3P - 4P
- Mounting:
 - Dilos 00 DIN-rail / panel wall
 - Dilos 0 DIN-rail wall
- Box terminals
- Padlockable

Standards

IEC 60947-1 and IEC 60947-3, DIN VDE 0660 Teil 107, BS EN 60947-3, CEI 17-11 (Fasc. 1039), EN 60947-3, NBN EN 60947-3, NF C 63-130
Safety disconnecter (red/yellow) according to DIN VDE 0113 Teil 1



Technical data

	Dilos 00	Dilos 0
Rated thermal current	16A-40A	32A-63A
Rated operational voltage	690V	415V
Peak short withstand circuit current	6kA	10kA
Terminal capacity (Cu)	1.5 - 16 mm ²	2.5 - 25 mm ²

- Technical data ● pg. C.2
- Installation facilities ● pg. D.2
- Dimensions ● pg. E.3



Dilos 00 - DIN-rail disconnectors - 2 modules

Standard grey		Description	In (A)	Cat. no.	Ref. no.	Pack.
 3P			16	D/061301-201	730984	1
			25	D/061302-201	730986	1
			32	D/061303-201	730988	1
			40	D/061304-201	730990	1
Safety						
 3P		Red/yellow, according to DIN VDE 0113 Teil 1	16	D/061301-203	731404	1
			25	D/061302-203	731407	1
			32	D/061303-203	731410	1
			40	D/061304-203	731413	1


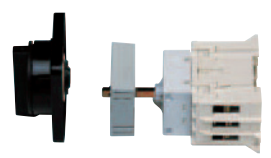

Accessories

	Switched neutral module To be added on one side	Handles for cover or hinged door IP65, with door interlock	
	D/061903-104 731004 1	D/061900-601 730996 1	
	For 16A	Black padlockable rotary handle	
	D/061903-204 731006 1	Extension shaft of 305 mm	
	For 25A	D/061900-603 730997 1	
	D/061903-304 731012 1	Red/yellow padlockable rotary handle	
For 32A	Extension shaft of 305 mm		
D/061903-404 731014 1			
For 40A			
	Fixed neutral module To be added on one side	Handle for cover or hinged door IP54, without door interlock	
	D/061903-205 731007 1	D/061900-501 730992 1	
	For 16A-40A	Black rotary handle	
		Extension shaft of 305 mm	
		Not to be used as main switch	
	Earth module To be added on one side	Terminal covers	
	D/061903-206 731008 1	D/061902-220 731002 1	
	For 16A-40A	3P	
		D/061902-221 731003 1	
		1P	
	Auxiliary contact To be added on one side		
	D/061901-202 731000 1		
	1 NO/NC		
	Ith = 10A at 230V		

Dilos 00 - Disconnectors for door mounting - 2 modules

Standard grey	Description	In (A)	Cat. no.	Ref. no.	Pack.
	Without handle	16	D/061301-251	730985	1
		25	D/061302-251	730987	1
		32	D/061303-251	730989	1
		40	D/061304-251	730991	1

Accessories

	Switched neutral module To be added on one side	Handles IP65 D/061900-651 730998 1 Black padlockable rotary handle D/061900-653 730999 1 Red/yellow padlockable rotary handle	
	D/061903-154 731005 1 For 16A	Terminal covers For DIN-rail and door mounting D/061902-220 731002 1 3P D/061902-221 731003 1 1P	
	D/061903-254 731009 1 For 25A		
	D/061903-354 731013 1 For 32A		
	D/061903-454 731015 1 For 40A		
	D/061903-255 731010 1 For 16A-40A		
Fixed neutral module To be added on one side	Earth module To be added on one side D/061903-256 731011 1 For 16A-40A		Rear view Dilos 00 + switch neutral module (4th pole) 
Auxiliary contacts To be added on one side D/061901-252 731001 1 1 NO/NC Ith = 10A at 230V			

Order codes

A

B

C

D

E

X

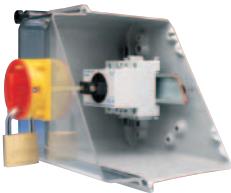
Dilos 0 - DIN-rail disconnectors - 4 modules

Standard grey	Description	In (A)	Cat. no.	Ref. no.	Pack.
2P		32	V/333-013732	652017	1
		40	V/333-013742	652021	1
		63	V/333-013762	652025	1
3P		32	V/333-013733	652018	1
		40	V/333-013743	652022	1
		63	V/333-013763	652026	1
4P		32	V/333-013734	652019	1
		40	V/333-013744	652023	1
		63	V/333-013764	652027	1
3P+NF	Fixed neutral	32	V/333-013736	652020	1
		40	V/333-013746	652024	1
		63	V/333-013766	652028	1



Accessories

Handles for cover or hinged door	Terminal covers
IP65 V/333-013721 652062 1 Standard rotary handle Extension shaft of 238 mm	V/333-013760 652016 1 Sealable Set of 2 pieces
V/333-013723 652063 1 Red/yellow padlockable rotary handle (max. three padlocks Ø 9 mm) Extension shaft of 238 mm and frontplate	



Dilos 0

A

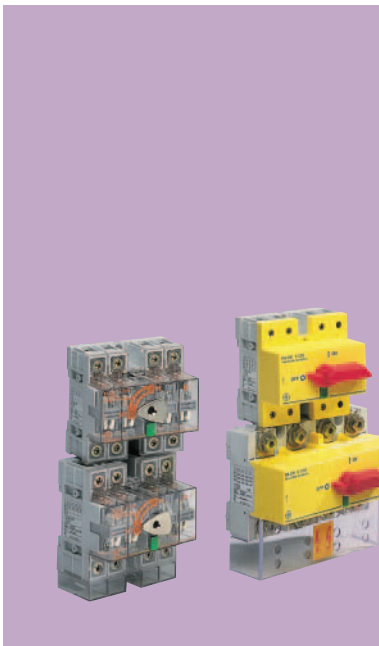
B

C

D

E

X



Loadbreak disconnectors for DIN-rail and wall mounting

Dilos 1 - 40A up to 125A
Dilos 2 - 160A up to 200A
Elos - 63A up to 125A

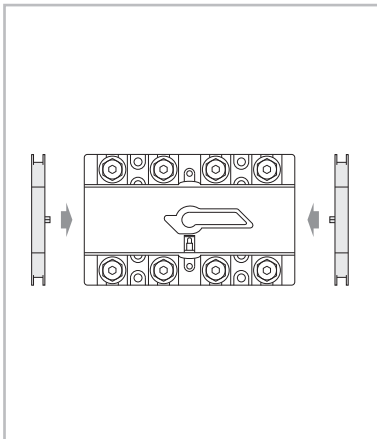
Applications



Approvals / Marking



Add-on devices



Performance

DIN-rail type and wall mounting type
 Main disconnector, safety disconnector
 Disconnect function
 Visible contact indication - transparent contact cover
 Quick make and quick break mechanism
 Independent opening and closing
 Positive contact indication (PCI)
 Double knife contacts - high short-circuit resistance
 Number of poles 2P - 3P - 4P
 Box terminals with inbus screws
 Padlockable

Standards

IEC 60947-1 and IEC 60947-3, DIN VDE 0660 Teil 107,
 BS EN 60947-3, CEI 17-11 (Fasc. 1039), EN 60947-3,
 NBN EN 60947-3, NF C 63-130, UL 508
 Safety disconnector (red/yellow) according to DIN VDE 0113 Teil 1

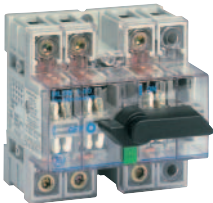
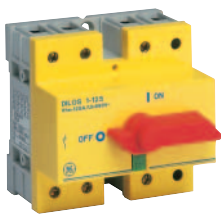
Technical data

	Dilos 1	Dilos 2	Elos
Rated thermal current	40A - 125A	160A - 200A	63A - 125A
Rated operational voltage Ue	690V	690V	690V
Rated insulation voltage Ui	690V	690V	690V
Peak short withstand circuit current	10kA	10kA	10kA
Rated short-circuit current	50kA	50kA	50kA
High 1s rated short time withstand Icw	3kA	3kA	3kA
Terminal capacity (Cu)	6 - 50 mm ²	Cu-rail 20x6	6 - 50 mm ²



Technical data ● pg. C.2
 Installation facilities ● pg. D.6
 Dimensions ● pg. E.3



Dilos 1 - DIN-rail disconnectors - 5 modules

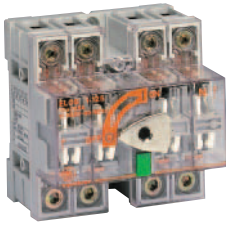
Standard transparent	Description	In (A)	Cat. no.	Ref. no.	Pack.
 2P		40	D/061212-201	730004	1
		63	D/061214-201	730008	1
		80	D/061215-201	730012	1
		100	D/061216-201	730016	1
		125	D/061217-201	730020	1
3P		40	D/061312-201	730049	1
		63	D/061314-201	730055	1
		80	D/061315-201	730061	1
		100	D/061316-201	730067	1
		125	D/061317-201	730073	1
4P		40	D/061412-201	730117	1
		63	D/061414-201	730123	1
		80	D/061415-201	730129	1
		100	D/061416-201	730135	1
		125	D/061417-201	730141	1
3P+NF	Fixed neutral	40	D/061512-201	730185	1
		63	D/061514-201	730189	1
		80	D/061515-201	730193	1
		100	D/061516-201	730197	1
		125	D/061517-201	730201	1
Safety					
 3P	Red/yellow, according to DIN VDE 0113 Teil 1	40	D/061312-203	730050	1
		63	D/061314-203	730056	1
		100	D/061316-203	730068	1
		125	D/061317-203	730074	1
4P	Red/yellow, according to DIN VDE 0113 Teil 1	40	D/061412-203	730118	1
		63	D/061414-203	730124	1
		100	D/061416-203	730136	1
		125	D/061417-203	730142	1

Accessories

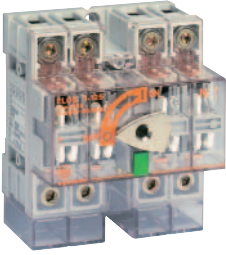
	Handles for cover of hinged door IP65 - Padlockable	Terminals		
	D/061910-002, 730255 , 1	D/061912-013, 731415 , 1		
	Black - H = 55 mm	Set of 3 terminals		
	Extension shaft L = 200 mm	D/061912-014, 731416 , 1		
	D/061910-012, 730257 , 1	Set of 4 terminals		
	Red/yellow - H = 55 mm	Auxiliary contacts		
	Extension shaft L = 200 mm	To mount on the right side		
	D/061910-004, 730256 , 1	D/061901-001, 730252 , 1		
Black - H = 55mm	1P CO			
Extension shaft L = 400 mm	D/061901-002, 730253 , 1			
D/061910-014, 730258 , 1	2P CO			
Red/yellow - H = 55 mm	Bar or cable lug connection			
Extension shaft L = 400 mm	D/061912-004, 730260 , 1			
D/061900-020, 730250 , 1	Conv. set 4P + terminal cover.			
Padlocking device (Ø max 8 mm)	For three padlocks	For connecting cable lugs or bars		
	Terminal covers	Max. W = 15 mm		
	D/061912-020, 731024 , 1	Inbus key		
	Transparent, sealable	D/061000-097, 730000 , 1		
	Set of 2 pieces	Insulated S5 - L = 200 mm		
(not for additional Al-cable terminals)				

Elos - DIN-rail loadbreak disconnectors - 5 modules

Transparent

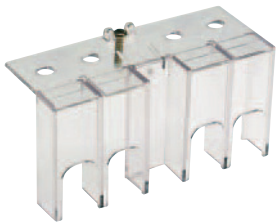


4P



Description	In (A)	Cat. no.	Ref. no.	Pack.
For electricity boards	63	D/061421-200	730806	1
	100	D/061420-200	730805	1
	125	D/061419-000	730144	1
With bottom cable protection IP20	125	D/061419-021	731466	1

Accessories



Cable protection		
D/061912-021	731467	1
IP20		

Padlocking device (Ø max 8 mm)		
D/061900-020	730250	1
For three padlocks		
Inbus key		
D/061000-097	730000	1
Insulated S5 - L = 200 mm		



Order codes

A

B



C

D

E

X

Dilos 2 - DIN-rail loadbreak disconnectors - 8 modules

Transparent	Description	In (A)	Cat. no.	Ref. no.	Pack.	
	2P	160	D/061224-201	730034	1	
		200	D/061226-201	730042	1	
	3P	160	D/061324-201	730088	1	
		200	D/061326-201	730096	1	
	4P	160	D/061424-201	730157	1	
		200	D/061426-201	730165	1	
3P+NF	Fixed neutral	160	D/061524-201	730215	1	
		200	D/061526-201	730223	1	
Safety						
	3P	160	D/061324-203	730089	1	
		200	D/061326-203	730097	1	
	4P	160	D/061424-203	730158	1	
		200	D/061426-203	730166	1	
	<p>Red/yellow, according to DIN VDE 0113 Teil 1</p>					
	<p>Red/yellow, according to DIN VDE 0113 Teil 1</p>					

Accessories

	Handles for cover of hinged door			Mantle terminals			
	IP65 - Padlockable			Ø max 14 mm			
	D/061910-002	730255	1	D/061922-003	730261	1	
	Black - H = 55 mm			Set of 3 pieces			
	Extension shaft L = 200 mm			D/061922-004	730262	1	
	Red/yellow - H = 55 mm			Set of 4 pieces			
Extension shaft L = 200 mm							
D/061910-004			730256	1			
Black - H = 55 mm			Auxiliary contacts				
Extension shaft L = 400 mm			To mount on the right side				
D/061910-014			730258	1			
Red/yellow - H = 55 mm			D/061901-001				
Extension shaft L = 400 mm			1P CO				
			D/061901-002				
			2P CO				
	Padlocking device (Ø max 8 mm)			Wire connections			
	D/061900-020	730250	1	D/061922-030	730281	1	
	For three padlocks			10 Faston tabs 6.3 x 0.8 mm			
			for 2.5 mm ² connections				
							
	Terminal cover			Inbus key			
	D/061922-020	730263	1	D/061000-097	730000	1	
			Insulated S5 - L = 200 mm				
							



Loadbreak disconnectors for wall mounting

Dilos 1H - 40A up to 125A
Dilos 3 - 160A up to 315A
Dilos 4 - 400A up to 630A



Order codes

A

B

C

D

E

X

Applications

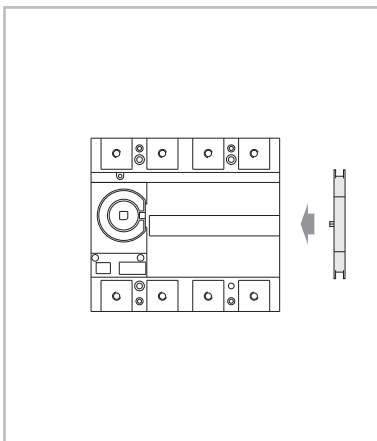


Approvals / Marking



Dilos 1H-3-4 Dilos 1H

Add-on devices



Performance

- Wall mounting
- Main disconnector, safety disconnector
- Disconnect function
- Visible contact indication - transparent cover
- Quick make and quick break mechanism
- Independent opening and closing
- Positive contact indication (PCI)
- Defeat mechanism rotary handle
- Double knife contacts - high short-circuit resistance
- Number of poles 3P - 4P
- With changeover system

Standards

IEC 60947-1 and IEC 60947-3, DIN VDE 0660 Teil 107, BS EN 60947-3, CEI 17-11 (Fasc. 1039), EN 60947-3, NBN EN 60947-3, NF C 63-130, UL 508
 Safety disconnector (red/yellow) according to DIN VDE 0113 Teil 1



Technical data

	Dilos 1H	Dilos 3	Dilos 4
Rated thermal current	40A - 125A	160A - 315A	400A - 630A
Rated operational voltage Ue	690V	690V	690V
Rated insulation voltage Ui	1000V	1000V	1000V
Peak short withstand circuit current	10kA	30kA	60kA
Rated short-circuit current	50kA	100kA	100kA
High 1s rated short time withstand Icw	3kA	9kA	20kA
Terminal capacity (Cu)	6 - 50 mm ²	Cu-rail 30x6	Cu-rail 2x40x6

- Technical data ● pg. C.4
- Installation facilities ● pg. D.6
- Dimensions ● pg. E.4



Dilos 1H - Loadbreak disconnectors for wall mounting

Standard transparent		Description	In (A)	Cat. no.	Ref. no.	Pack.
	3P	Without handle	40	D/061330-201	730454	1
			63	D/061331-201	730457	1
			125	D/061333-201	730460	1
	3P+N	Without handle	40	D/061430-201	730482	1
			63	D/061431-201	730485	1
			125	D/061433-201	730488	1
	3P+NF	Without handle Fixed neutral	40	D/061530-201	730510	1
			63	D/061531-201	730513	1
			125	D/061533-201	730516	1
Safety						
	3P	Yellow label, according to DIN VDE 0113 Teil 1 Without handle	40	D/061330-203	730455	1
			63	D/061331-203	730458	1
			125	D/061333-203	730461	1
	3P+N	Yellow label, according to DIN VDE 0113 Teil 1 Without handle	40	D/061430-203	730483	1
			63	D/061431-203	730486	1
			125	D/061433-203	730489	1

Accessories for Dilos 1H

	Direct handles			Handles for cover or hinged door		
	D/061940-252	731538	1	IP65 - Padlockable - Defeat		
	Low grey			With extension shaft 300 mm (8/8)		
	D/061940-253	731539	1			
	Low red			D/062920-201	730661	1
				Black		
	D/061940-211	730649	1	D/062920-203	730662	1
	Grey, padlockable			Red/yellow		
	D/061940-213	730650	1	D/062920-221	730663	1
	Red, padlockable			Black with keylockable plug-in (Ronis 1104)		
D/061940-231	730651	1	D/062920-223	730664	1	
Grey, keylockable and padlockable (Keylock not included)			Red/yellow with keylockable plug-in (Ronis 1104)			
D/061940-233	730652	1	D/062920-281	730853	1	
Red, keylockable and padlockable (Keylock not included)			Special set for disconnector with neutral on the right, black			
			D/062920-283	730854	1	
			Special set for disconnector with neutral on the right, red/yellow			
	Handles for inner door					
	IP65 - Padlockable					
	With extension shaft 300 mm Reduced height = 55 mm					
D/062927-202	731056	1				
Black						
D/062927-203	731351	1				
Red/yellow						
	Key lock			Inbus key		
	D/769080-000	769080	1	D/061000-097	730000	1
Plug-in for handles (Ronis 1104)			Insulated S5 - L = 200 mm			
						

Accessories Dilos 1H (continued)

Order codes

A

B

C

D

E

X



Changeover system (I-O-II)
 With extension shaft 300 mm,
 padlockable handle, gasket,
 flange and template IP65 - defeat

D/062910-205 | **730655** | 1

With grey handle

D/062910-207 | **731347** | 1

With red handle

As above but with handle 55 mm height -
 for inner door



D/062927-265 | **731453** | 1

With black handle

D/062927-267 | **731552** | 1

With red handle



6P/8P-system (I-O)
 With extension shaft 300 mm,
 padlockable handle, gasket,
 flange and template IP65 - defeat

D/062910-206 | **730656** | 1

With grey handle

Standard auxiliary contacts

To be added on the right side

D/061901-001 | **730252** | 1

1P CO

D/061901-002 | **730253** | 1

2P CO

Max. current rating for AC 15 and DC 13

AC 3A at 380V

5A at 220V

DC 0.5A at 220V

0.7A at 110V



1A at 60V

2A at 48V

4A at 24V



Dilos 3 - Loadbreak disconnectors for wall mounting

	Transparent	Description	In (A)	Cat. no.	Ref. no.	Pack.
	3P		160	D/061334-201	730463	1
			200	D/061335-201	730466	1
			250	D/061336-201	730469	1
			315	D/061337-201	730472	1
	3P+N		160	D/061434-201	730491	1
			200	D/061435-201	730494	1
			250	D/061436-201	730497	1
			315	D/061437-201	730500	1
	3P+NF	Fixed neutral	160	D/061534-201	730519	1
			200	D/061535-201	730522	1
			250	D/061536-201	730525	1
			315	D/061537-201	730528	1
	3P	Yellow label, according to DIN VDE 0113 Teil 1	160	D/061334-203	730464	1
			200	D/061335-203	730467	1
			250	D/061336-203	730470	1
	3P+N	Yellow label, according to DIN VDE 0113 Teil 1	160	D/061434-203	730492	1
			200	D/061435-203	730495	1
			250	D/061436-203	730498	1

Accessories Dilos 3

	Direct handles			Handles for cover or hinged door		
	D/061940-252	731538	1	IP65 - Defeat - Padlockable		
	Low, grey			With extension shaft 300 mm (8/8)		
	D/061940-253	731539	1	D/062920-201 730661 1		
	Low, red			Black		
	D/061940-211	730649	1	D/062920-203 730662 1		
	Grey, padlockable			Red/yellow		
	D/061940-213	730650	1	D/062920-221 730663 1		
	Red, padlockable			Black with keylockable plug-in (Ronis 1104)		
	D/061940-231	730651	1	D/062920-223 730664 1		
Grey, keylockable and padlockable (Keylock not included)			Red/yellow with keylockable plug-in (Ronis 1104)			
D/061940-233	730652	1	D/062920-281 730853 1			
Red, keylockable and padlockable (Keylock not included)			Special set for disconnector with neutral on the right, black			
Handles for inner door			D/062920-283 730854 1			
IP65 - Padlockable			Special set for disconnector with neutral on the right, red/yellow			
With extension shaft 300 mm						
Reduced height = 55 mm						
D/062927-202	731056	1				
Black						
D/062927-203	731351	1				
Red/yellow						
Keylock			Inbus key			
D/769080-000	769080	1	D/061000-097 730000 1			
Plug-in for handles (Ronis 1104)			Insulated S5 - L = 200 mm			
						

Dilos 3

A

B

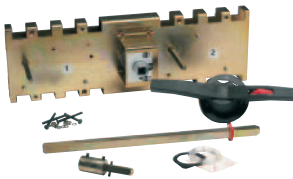
C

D

E

X

Accessories Dilos 3 (continued)



Changeover system (I-O-II)

With extension shaft 300 mm,
padlockable handle, gasket,
flange and template
IP65 - defeat

D/062920-265 | **730665** | 1

With grey handle

D/062920-267 | **731348** | 1

With red/yellow handle

As above but with handle 55 mm height -
for inner door

D/062937-265 | **731455** | 1

With black handle

D/062937-267 | **731554** | 1

With red/yellow handle

Standard auxiliary contacts

To be added on the right side

D/061901-001 | **730252** | 1

1P CO

D/061901-002 | **730253** | 1

2P CO

Max. current rating for AC 15 and DC 13

AC 3A at 380V

5A at 220V

DC 0.5A at 220V

0.7A at 110V

1A at 60V

2A at 48V

4A at 24V



6P/8P-system (I-O)

With extension shaft 300 mm,
padlockable handle, gasket,
flange and template
IP65 - defeat

D/062920-266 | **730666** | 1

With grey handle



Anticipated auxiliary contacts

(early make and early break)

To be mounted inside

D/062921-201 | **730610** | 1

1 CO

D/062921-202 | **730611** | 1

2 CO



Terminals (Cu or Al 185 mm²)

D/062922-213 | **730627** | 1

Set of 3 V box terminals with cover

D/062922-214 | **730628** | 1

Set of 4 V box terminals with cover



D/062922-203 | **730625** | 1

Set of 3 terminals with cover

D/062922-204 | **730626** | 1

Set of 4 terminals with cover

Terminal covers

D/062922-220 | **730615** | 1

Set of 2 long covers 4P, boxed

Sealable



D/062922-226 | **731459** | 1

Set of 2 short covers 4P, boxed

IP20 and sealable



Rear connections with cover

D/062922-253 | **730629** | 1

Set of 3 pieces

D/062922-254 | **730630** | 1

Set of 4 pieces



D/062922-221 | **730616** | 1

Set of 2 connection bolt covers 4P



Dilos 4 - Loadbreak disconnectors for wall mounting

Transparent	Description	In (A)	Cat. no.	Ref. no.	Pack.	
	3P	400	D/061344-201	730474	1	
		500	D/061345-201	730476	1	
		630	D/061346-201	730478	1	
	3P+N	400	D/061444-201	730502	1	
		500	D/061445-201	730504	1	
		630	D/061446-201	730506	1	
	3P+NF	Fixed neutral	400	D/061544-201	730530	1
			500	D/061545-201	730532	1
			630	D/061546-201	730534	1

Accessories

	Direct handles	Standard auxiliary contacts	
	D/061950-252 731540 1	To be added on the right side	
	Low, black	D/061901-001 730252 1	
	D/061950-251 730653 1	1P CO	
	With key lock possibility (Keylock not included)	D/061901-002 730253 1	
		2P CO	
		Max. current rating for AC 15 and DC 13	
		AC 3A at 380V	
		5A at 220V	
		DC 0.5A at 220V	
		0.7A at 110V	
		1A at 60V	
		2A at 48V	
		4A at 24V	
	Handles for cover or hinged door	Anticipated auxiliary contacts	
	IP54 - Defeat - Padlockable	(early make and early break)	
	With extension shaft 300 mm (14/14)	To be mounted inside	
	D/062940-241 730667 1	P9B10VN 187002 1	
	Grey	1P NO	
	D/062940-281 730855 1	P9B01VR 187003 1	
	Set for discon. with N on the right: grey	1P NC	
	Handles for inner door	Terminals (Cu or Al 240 mm²)	
	IP65 - Padlockable	D/062942-213 730633 1	
	D/062947-202 731352 1	Set of 3 V box terminals with cover	
	Black, reduced height 55 mm	D/062942-214 730634 1	
	With extension shaft 300 mm	Set of 4 V box terminals with cover	
	Key lock	Rear connections with cover	
	D/769080-000 769080 1	D/062942-253 730635 1	
	Plug-in for handles	Set of 3 pieces	
		D/062942-254 730636 1	
		Set of 4 pieces	
	Changeover system (I-O-II)	Terminal covers	
	With extension shaft 300 mm, padlockable handle, gasket, flange and template	D/062942-220 730618 1	
	D/062940-265 730669 1	Set of 2 long terminal covers 4P - boxed	
	With handle IP54 - defeat	D/062942-226 731461 1	
		Set of 2 short terminal covers 4P	
	As above but with handle 55 mm height - for inner door	IP20 - box terminal - sealable	
	D/062947-265 731457 1	D/062942-221 730619 1	
	With black handle IP65	Set of 2 connection bolt covers 4P	



Loadbreak disconnectors for wall mounting

Dilos 6S - 800A up to 1250A



Applications



Approvals / Marking



Performance

- Panel mounting
- Main disconnecter
- Disconnect function
- As changeover - as 6P disconnecter
- Visible contact indication - transparent cover
- Quick make and quick break mechanism
- Independent opening and closing
- Positive contact indication (PCI)
- Defeat mechanism rotary handle
- Double knife contacts - high short-circuit resistance
- Number of poles 3P - 4P

Standards

IEC 60947-1 and IEC 60947-3, DIN VDE 0660 Teil 107, DIN VDE 0113 Teil 1, BS EN 60947-3, CEI 17-11 (Fasc. 1039), EN 60947-3, NBN EN 60947-3, NF C 63-130

Technical data

	35kA/50kA	35kA/50kA	35kA/50kA
Rated thermal current	800A	1000A	1250A
Rated operational voltage Ue	1000V	1000V	1000V
Rated insulation voltage Ui	1500V	1500V	1500V
Peak short withstand circuit current	73.5kA/105kA	73.5kA/105kA	73.5kA/105kA
Rated short-circuit current	73.5kA/105kA	73.5kA/105kA	73.5kA/105kA
High 1s rated short time withstand Icw	35kA/50kA	35kA/50kA	35kA/50kA
Terminal capacity (Cu)	Cu-rail 2x50x5	Cu-rail 2x50x6	Cu-rail 2x50x8

Technical data auxiliary contacts


- Can be mounted on switches with direct handle and behind door
- Break before main contacts
- Changeover contacts
- To be mounted on the top of the disconnecter
- Data: Ie = 10A at 400V ~ AC12 - Ie = 10A at 400V ~ AC13 - Ie = 1.4A at 48V = DC13

- Fused disconnectors and disconn. with tripping device ● pg. B.42
- Motorised disconn. and motorised changeover disconnectors ● pg. B.44
- Manual changeover disconn. ● pg. B.48
- 6P disconnectors ● pg. B.48






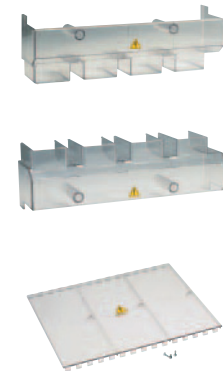


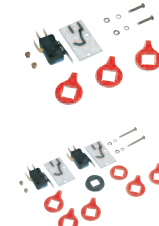
- Technical data ● pg. C.4
- Installation facilities ● pg. D.2 - D.6
- Dimensions ● pg. E.6



Dilos 6S - Loadbreak disconnectors for wall mounting

	35kA	Description	In (A)	Cat. no.	Ref. no.	Pack.	
	3P	Visible contacts. Without handle	800	D/661365-231	731570	1	
			1000	D/661366-231	731584	1	
			1250	D/661367-231	731557	1	
	4P	Visible contacts. Without handle	800	D/661465-231	731662	1	
			1000	D/661466-231	731677	1	
			1250	D/661467-231	731691	1	
	3P+NF	Fixed neutral Visible contacts. Without handle	800	D/661565-231	731733	1	
			1000	D/661566-231	731737	1	
			1250	D/661567-231	731741	1	
<hr/>							
	50kA	3P	Visible contacts. Without handle	800	D/661365-251	731571	1
				1000	D/661366-251	731585	1
				1250	D/661367-251	731601	1
	4P	Visible contacts. Without handle	800	D/661465-251	731663	1	
			1000	D/661466-251	731678	1	
			1250	D/661467-251	731692	1	
	3P+NF	Fixed neutral Visible contacts. Without handle	800	D/661565-251	731734	1	
			1000	D/661566-251	731738	1	
			1250	D/661567-251	731742	1	

Accessories

	Single handles for 35kA version	Keylock		
	D/661960-231 731786 1	D/062960-240 730857 1		
	Direct black with transparent main contact cover shield (3P)	Plug-in, Fiat key (code H235) Lockable in OFF position Key removable in OFF position		
	D/662960-231 731882 1	Padlock system		
	Black with extension shaft (300 mm - 12x12 mm) for door mounting - IP65 - Padlockable in OFF position (3 padlocks 6.3 mm) and keylockable (Keylock not included)			D/661960-245 731787 1
	D/662960-232 731883 1			For direct handle
	Black with extension shaft (300 mm - 12x12 mm) for door mounting - IP65 - Padlockable in OFF position (3 padlocks 6.3mm) with defeat mechanism and keylockable (Keylock not included)	Covers		
	D/662960-251 731788 1	D/662962-223 731895 1		
	D/662960-251 731884 1	1 upper box terminal cover transparent		
	Double handles for 50kA version	D/662962-224 731896 1	1 lower box terminal cover transparent	
	D/661960-251 731788 1	D/662962-227 731898 1	Transparent main contact cover shield (3P)	
	D/662960-251 731884 1	Auxiliary contacts (CO)	D/661971-201 731794 1	
Direct black with transparent main contact cover shield (3P)	1NO+1NC			
D/662960-252 731885 1	D/661971-202 731795 1			
	Black with extension shaft (300 mm - 12x12 mm) for door mounting - IP65 - Padlockable in OFF position (3 padlocks 6.3 mm) - keylockable (Keylock not included)	2NO+2NC		
	D/662960-252 731885 1	Technical data, see page B.16		
	Black with extension shaft (300 mm - 12x12 mm) for door mounting - IP65 - Padlockable in OFF position (3 padlocks 6.3 mm) with defeat mechanism - keylockable (Keylock not included)			

Extension shaft, see page B.21

Technical data, see page B.16



Loadbreak disconnectors for wall mounting

Dilos 7S - 1600A
Dilos 8S - 2000A/2500A



Order codes

A

B

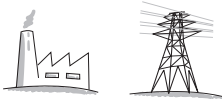
C

D

E

X

Applications



Approvals / Marking

CESI certificate



Performance

- Panel mounting
- Main disconnector
- Disconnect function
- Visible contact indication
- Quick make and quick break mechanism
- Independent opening and closing
- Positive contact indication (PCI)
- Defeat mechanism rotary handle
- Double knife contacts - high short-circuit resistance
- Number of poles 3P - 4P

Standards

IEC 60947-1 and IEC 60947-3, DIN VDE 0660 Teil 107, DIN VDE 0113 Teil 1, BS EN 60947-3, CEI 17-11 (Fasc. 1039), EN 60947-3, NBN EN 60947-3, NF C 63-130

Technical data

	1600A	2000A	2500A
Rated thermal current	1600A	2000A	2500A
Rated operational voltage Ue	1000V	1000V	1000V
Rated insulation voltage Ui	1500V	1500V	1500V
Peak short withstand circuit current	105kA	105kA	105kA
Rated short-circuit current	105kA	105kA	105kA
High 1s rated short time withstand Icw	50kA	50kA	50kA
Terminal capacity (Cu)	Cu-rail 2x60x10	Cu-rail 2x80x10	Cu-rail 2x80x10

- Fused disconnectors and disconn. with tripping device ● pg. B.42
- Motorised disconn. and motorised changeover disconnectors ● pg. B.44
- Manual changeover disconn. ● pg. B.48
- 6P disconnectors ● pg. B.48

- Technical data ● pg. C.4
- Installation facilities ● pg. D.2 - D.6
- Dimensions ● pg. E.7



Dilos 7S - Loadbreak disconnectors for wall mounting

1600A	Description	In (A)	Cat. no.	Ref. no.	Pack.
3P	Visible contacts. Without handle	1600	D/661371-251	731618	1
3P+N 50%	Visible contacts. Without handle	1600	D/661771-251	731752	1
4P	Visible contacts. Without handle	1600	D/661471-251	731706	1



Dilos 8S - Loadbreak disconnectors for wall mounting




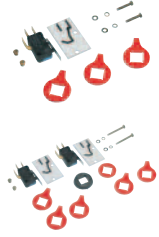
2000A	Description	In (A)	Cat. no.	Ref. no.	Pack.
3P	Visible contacts. Without handle	2000	D/661382-251	731632	1
3P+N 50%	Visible contacts. Without handle	2000	D/661782-251	731754	1
4P	Visible contacts. Without handle	2000	D/661482-251	731719	1



2500A	Description	In (A)	Cat. no.	Ref. no.	Pack.
3P	Visible contacts. Without handle	2500	D/661385-251	731646	1
3P+N 50%	Visible contacts. Without handle	2500	D/661785-251	731761	1
4P	Visible contacts. Without handle	2500	D/661485-251	731728	1



Accessories

	Double handles D/661960-251 731788 1 Direct black with transparent main contact cover shield (3P)	Keylock D/062960-240 730857 1 Plug-in, Fiat key (code H235) Lockable in OFF position Key removable in OFF position			
	D/662960-251 731884 1 Black with extension shaft (300 mm - 12x12 mm) for door mounting - IP65 - Padlockable in OFF position (3 padlocks 6.3 mm) - keylockable (Keylock not included)			Padlock system D/661970-245 731792 1 For direct handles Dilos 7S and Dilos 8S 2000A	
	D/662960-252 731885 1 Black with extension shaft (300 mm - 12x12 mm) for door mounting - IP65 - Padlockable in OFF position (3 padlocks 6.3 mm) with defeat mechanism - keylockable (Keylock not included)			D/661980-245 731798 1 For direct handle Dilos 8S 2500A	
Contact cover D/662962-227 731898 1 Transparent main contact cover shield (3P)	Auxiliary contacts (CO) D/661971-201 731794 1 1NO+1NC				
	D/661971-202 731795 1 2NO+2NC Technical data, see page B.16				

Extension shaft, see page B.21



Loadbreak disconnectors for wall mounting

Dilos 9S - 3150A
Dilos 9 - 4000A



Applications



Approvals / Marking

CESI certificate (3150A)



Performance

- Panel mounting
- Main disconnector
- Disconnect function
- Visible contact indication
- Quick make and quick break mechanism
- Independent opening and closing
- Positive contact indication (PCI)
- Defeat mechanism rotary handle
- Double knife contacts - high short-circuit resistance
- Number of poles 3P - 4P

Standards

IEC 60947-1 and IEC 60947-3, DIN VDE 0660 Teil 107,
DIN VDE 0113 Teil 1, BS EN 60947-3, CEI 17-11 (Fasc. 1039),
EN 60947-3, NBN EN 60947-3, NF C 63-130

Technical data

	3150A	4000A
Rated thermal current	3150A	4000A
Rated operational voltage Ue	1000V	1000V
Rated insulation voltage Ui	1500V	1500V
Peak short withstand circuit current	105kA	105kA
Rated short-circuit current	105kA	105kA
High 1s rated short time withstand Icw	50kA	50kA
Terminal capacity (Cu)	Cu-rail 2x100x10	Cu-rail 2x100x10

- Fused disconnectors and disconn. with tripping device ● pg. B.42
- Motorised disconn. and motorised changeover disconnectors ● pg. B.44
- Manual changeover disconn. ● pg. B.48
- 6P disconnectors ● pg. B.48

- Technical data ● pg. C.4
- Dimensions ● pg. D.2 - D.6
- Installation facilities ● pg. E.7

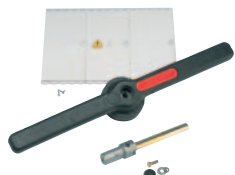
Dilos 9S - Loadbreak disconnectors for wall mounting



3P
3P+N 50%

Description	In (A)	Cat. no.	Ref. no.	Pack.
Visible contacts. Without handle	3150	D/661393-251	731654	1
Visible contacts. Without handle	3150	D/661793-251	731769	1

Accessories



Double handles

D/661960-251 | **731788** | 1

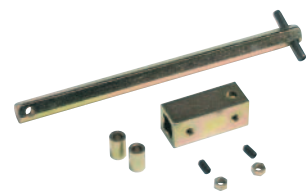
Direct black and transparent main contact cover shield (3P)

D/662960-251 | **731884** ⁽¹⁾ | 1

Black with extension shaft (300 mm - 12x12 mm) for door mounting - IP65 - Padlockable in OFF position (3 padlocks 6.3 mm) - keylockable (Keylock not included)

D/662960-252 | **731885** ⁽¹⁾ | 1

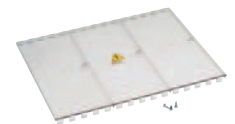
Black with extension shaft (300 mm - 12x12 mm) for door mounting - IP65 - Padlockable in OFF position (3 padlocks 6.3 mm) with defeat mechanism - keylockable (Keylock not included)



Extension shaft

D/662960-200 | **731881** | 1

200 mm (12/12)



Contact cover

D/662962-227 | **731898** | 1

Transparent main contact cover shield (3P)

Keylock

D/062960-240 | **730857** | 1

With plug-in Fiat key (code H235)
Lockable in OFF position
Key removable in OFF position



Padlock system

D/661990-245 | **731800** | 1

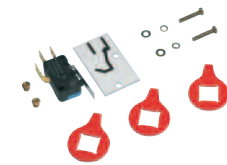
For direct handle



Auxiliary contacts (CO)

D/661971-201 | **731794** | 1

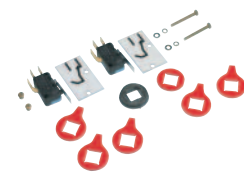
1NO+1NC



D/661971-202 | **731795** | 1

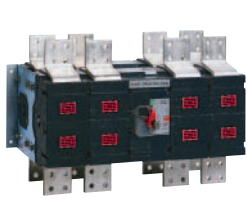
2NO+2NC

Technical data, see page B.16



(1) Depth between the rear of the disconnector and the front of the enclosures door: max 423 mm.

Dilos 9 - Loadbreak disconnectors for wall mounting



3P

3P+N

Description	In (A)	Cat. no.	Ref. no.	Pack.
Visible contacts. Without handle	4000*	D/061394-201	730743	1
Visible contacts. Without handle	4000	D/061494-201	730757	1

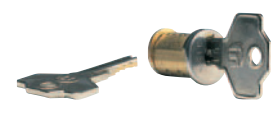
* Not under load

Accessories



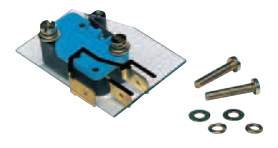
Double handles		
D/061990-271	731357	1
Direct black with metal coupling insert		
D/062990-261	731359 ⁽¹⁾	1
Black with extension shaft (300 mm - 12x12 mm) for door mounting - IP65 - Padlockable in OFF position (3 padlocks 6.3 mm) with defeat mechanism - keylockable plug-in (Fiat), with metal coupling insert		

Keylock		
D/062960-240	730857	1
Plug-in, Fiat key (code H235)		
Lockable in OFF position		
Key removable in OFF position		



Contact cover		
D/062972-227	731498	1
Transparent main contact cover shield (3P)		

Auxiliary contacts (CO)		
D/062961-201	730860	1
1NO+1NC		
D/062961-202	730861	1
2NO+2NC		
Technical data, see page B.16		



(1) Depth between the rear of the disconnector and the front of the enclosure door: max 520 mm.

Order codes

A

B

C

D

E

X

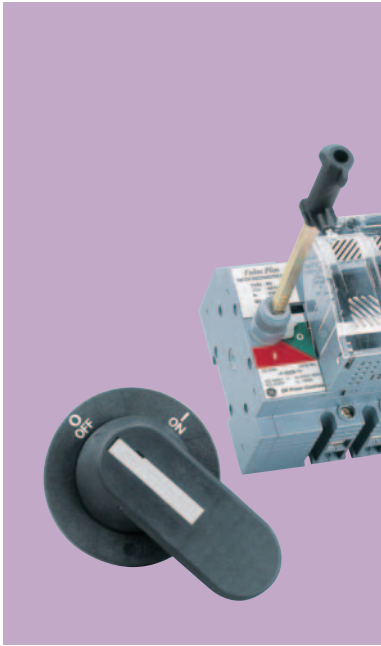
Notes



Dilos/Fulos

A
B
C
D
E
X

NEW



Fused loadbreak disconnectors

Fulos Plus- 32A up to 63A



Total safety



Complete



High quality



Great design



Order codes

A

B

C

D

E

X

Applications



Approval



Add-on devices

- Auxiliary contacts
- Switched neutral
- Isolable neutral

Features

- Compact, modular and 'touch safe' design.
- Six versions in 3-pole configuration, BS, DIN & NF standard
- Two frame sizes cover range (BS/NF & DIN), modular construction, extremely compact.
- Add-on accessories (auxiliary contacts, isolable neutral and switched neutral) are modular and easy to mount.
- Door interlocked, defeatable rotary handle with ext. shaft is supplied as standard (padlockable in 'OFF' position).

Standards

- BS EN/IEC 60947-3
- IEC 60947-1 & IEC 60947-3
- DIN VDE 0660 Teil 107

Performance

Double interruption on the four contact points to provide isolation and load breaking capability. Operator independent spring assisted switching mechanism. Power source can be connected to either top or bottom. Fuse cover with built-in barriers & interlocked when switched closed. Rated for highest duty & operating voltage, AC23A up to 690V.

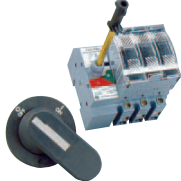
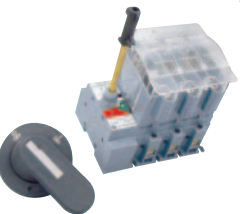

Technical data

	FP 32			FP 50	FP 63	
	BS A2	NF 10x38	DIN 000	NF 14x51	BS A3	DIN 000
Rated thermal current	32A	32A	32A	50A	63A	63A
Rated operational voltage Ue	690V	690V	690V	690V	690V	690V
Rated insulation voltage Ui	1000V	1000V	1000V	1000V	1000V	1000V
Peak short withstand circuit current	400V	50kA	50kA	50kA	50kA	50kA
	415V	50kA	50kA	50kA	50kA	-
	500V	No fuse	No fuse	50kA	No fuse	50kA
	690V	No fuse	No fuse	50kA	No fuse	50kA
Terminal capacity (Cu)	6-25 mm ²	6-25 mm ²	6-25 mm ²	6-25 mm ²	6-25 mm ²	6-25 mm ²

Technical data ● pg. C.8
 Dimensions ● pg. D.4



Fulos Plus - Fused loadbreak disconnectors

	Description	In (A)	Max. cable size (mm ²)	Cat. no.	Ref. no.	Pack.
According to BS 	BS A1 (NET32 - 415V) - 3P	32	25	FP32-BS	404608	1
	BS A1 (NET63 - 415V) - 3P	63	25	FP63-BS	404600	1
	Door interlocked, defeatable rotary handle with extension shaft is included; with pozidrive combination head screws					
According to DIN 	NH000 - 3P	32	25	FP32-DIN	404610	1
	NH000 - 3P	63	25	FP63-DIN	404606	1
	Door interlocked, defeatable rotary handle with extension shaft is included; with 4mm inbus screws					
According to NF 	NF 10x38 - 3P	32	25	FP32-NF	404602	1
	NF 14x51 - 3P	50	25	FP50-NF	404604	1
	Door interlocked, defeatable rotary handle with extension shaft is included; with 4mm inbus screws					

Accessories: see page B.26

Fuse Link

	Description	In (A)	Max. voltage rating ac	Cat. no.	Ref. no.	Pack.
According to BS88-2 & IEC 269-2 	BS A1 (44.5 mm fixing centres)	2	550	NIT2	401230	10
		4	550	NIT4	401231	10
		6	550	NIT6	401232	10
		10	550	NIT10	401225	10
		16	550	NIT16	401226	10
		20	550	NIT20	401227	10
		25	440	NET25	401220	10
		32	440	NET32	401221	10
		40	415	NET40	402770	10
		50	415	NET50	402771	10
		63	415	NET63	402772	10
		According to IEC 269 & VDE 0636 Blade tag 	Body size 00C	6	500	NHG000/006
10	500			NHG000/010	403001	3
16	500			NHG000/016	403002	3
20	500			NHG000/020	403003	3
25	500			NHG000/025	403004	3
32	500			NHG000/032	403005	3
35	500			NHG000/035	403006	3
40	500			NHG000/040	403007	3
50	500			NHG000/050	403008	3
63	500			NHG000/063	403009	3
80	500			NHG000/080	403010	3
100	500			NHG000/100	403011	3
125	500	NHG000/125	403012	3		
160	500	NHG000/160	403013	3		

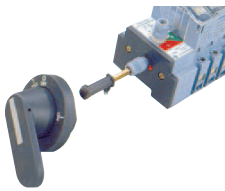
Accessories



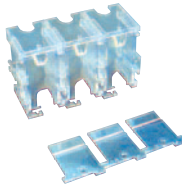
Direct handle		
FP-DH	404625	1
Black		
FP-DH-LOCK	404626	1
Black, padlockable (only on request)		



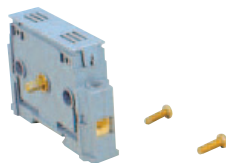
Red/yellow handle		
FP-DH-LOCK-RY	404636	1



Side mount handle kit		
FP-DH-SIDE	404627	1

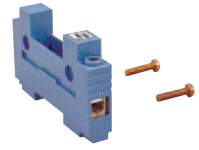


Terminal shrouds		
FP-TC	404631	1
Set of two long covers for BS-&NF-version		
FP-TCDIN	404634	1
Set of two long covers for DIN-version		



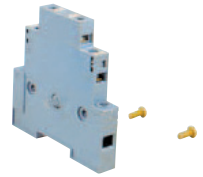
Switched neutral module		
FP-SWN-INBUS	404630	1
with 4 mm inbus connections for DIN- and NF-versions Ie = 63A at 690V 100% AC		
FP-SWN-COMB	404633	1
with posidrive combination head screws for BS-version Ie = 63A at 690V 100% AC		

Fixed isolable neutral module		
FP-N-INBUS	404629	1
with 4 mm inbus connections for DIN- and NF-versions Ie = 63A at 690V 100% AC		



FP-N-COMB	404632	1
with posidrive combination head screws for BS-version Ie = 63A at 690V 100% AC		

Auxiliary contact		
FP-AUX	404628	1
1NO / 1NC 10A 250Vac AC1 for BS- and NF-type		



FP-AUXDIN	404635	1
1NO / 1NC 10A 250Vac AC1 for DIN-type		

FP-AUX2NO	404638	1
2NO 10A 250Vac AC1 for BS- and NF-type		

For all auxiliary contact:			
Vac(V)	Ie(A)	Vdc(V)	Ie(A)
120	6	24	4
230/220	6	48	2
400/380	4	110	0.7
500	2.5	220	0.3
690/660	1.5	440	0.15

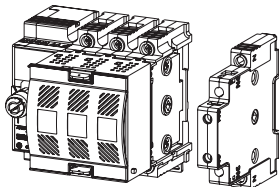
Extended operating shaft		
FP-AXE300	404637	1
Extension shaft 6x6 mm with shaft coupler; length 300mm		



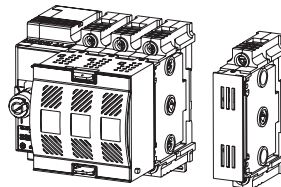
Isolated inbus key		
IBK4MM	404640	1
for 4 mm inbus connections		

Add-on devices

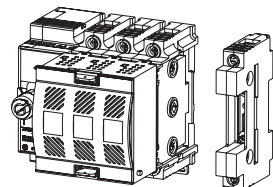
Auxiliary contacts
fitted to right-hand side only



Switched neutral
fitted to right-hand side only



Isolable neutral
can be fitted either side



Fused loadbreak disconnectors



Fulos 000 DIN - 125A
Fulos 000 NF - 125A
Fulos 000 BS - 100A⁽¹⁾



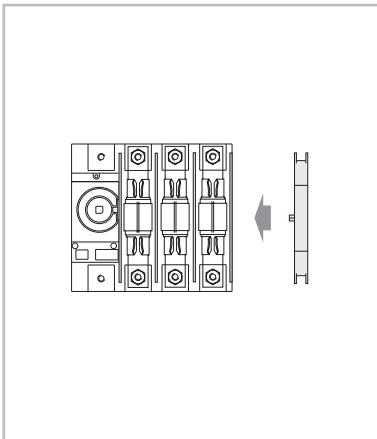
Applications



Approvals / Marking



Add-on devices



Performance

- Panel mounting
- Fused safety disconnector (main disconnector)
- Disconnect function
- Visible contact indication - transparent cover
- Quick make and quick break mechanism
- Independent opening and closing
- Positive contact indication (PCI)
- Very low power losses
- Fuse completely disconnected in "OFF"
- Defeat mechanism rotary handle
- Double knife contacts - high short-circuit resistance
- Number of poles 3P - 4P

Standards

For disconnectors

IEC 60947-1 and IEC 60947-3, DIN VDE 0660 Teil 107,
 BS EN 60947-3, CEI 17-11 (Fasc. 1039), EN 60947-3,
 NBN EN 60947-3, NF C 63-130
 Safety disconnector (red/yellow) according to DIN VDE 0113 Teil 1

For fuses

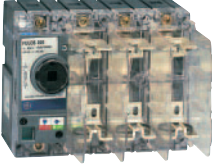
IEC 60269-2-1, BS 88 Parts 1 & 2 1988, DIN VDE 0636 Teil 1,
 NF EN 60269-1, NF C 63-211, NF C 63-210


Technical data


	DIN 000	NF	BS A2-A3
Rated thermal current	125A	125A	100A
Rated operational voltage U _e	690V	690V	690V
Rated insulation voltage U _i	1000V	1000V	1000V
Rated short-circuit current	50kA	50kA	50kA
Terminal capacity (Cu)	6-50mm ²	6-50mm ²	6-50mm ²

(1) Also available BS OS 100 M125

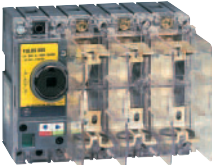
Fulos 000 - Fused loadbreak disconnectors

According to DIN	Description	In (A)	Cat. no.	Ref. no.	Pack.
	3P NH 000 - NH 00	125	D/062311-201	730560	1
	3P+N NH 000 - NH 00	125	D/062411-201	730576	1
	3P+NF NH 000 - NH 00	125	D/062511-201	730592	1


According to NF	Description	In (A)	Cat. no.	Ref. no.	Pack.
	3P NF 22 x 58	125	D/062314-201	730821	1
	3P+N NF 22 x 58	125	D/062414-201	730833	1
	3P+NF NF 22 x 58	125	D/062514-201	730845	1


According to BS	Description	In (A)	Cat. no.	Ref. no.	Pack.
	3P BS A3 (TIS / OS - 440V) (OS 100 M125)	100	D/062312-232	731919	1
	3P+N BS A3 (TIS / OS - 440V) (OS 100 M125)	100	D/062412-232	731921	1
	3P+NF BS A3 (TIS / OS - 440V) (OS 100 M125)	100	D/062512-232	731923	1

Fulos 000 - Safety fused loadbreak disconnectors

According to DIN	Description	In (A)	Cat. no.	Ref. no.	Pack.
	3P NH 000 - NH 00 Yellow label, according to DIN VDE 0113 Teil 1	125	D/062311-203	730561	1
	3P+N NH 000 - NH 00 Yellow label, according to DIN VDE 0113 Teil 1	125	D/062411-203	730577	1

Accessories

	Direct handles		Handles for inner door			
	D/062910-251	731436	1	Reduced height 55 mm		
	Low grey			With extension shaft 300 mm		
	D/062910-253	731437	1	P65 - Padlockable		
	Low red			D/062927-202	731056	1
				Black		
			D/062927-203	731351	1	
			Red/yellow			



Accessories Fulos 000 (continued)



Handles for cover or hinged door
 IP65 - Padlockable - Defeat
 With extension shaft 300 mm (8/8)

D/062920-201 | **730661** | 1

Black

D/062920-203 | **730662** | 1

Red/yellow

D/062920-221 | **730663** | 1

Black and keylockable

(Keylock not included)

D/062920-223 | **730664** | 1

Red/yellow and keylockable

(Keylock not included)

D/062920-281 | **730853** | 1

Special set for disconnecter with neutral on the right, black

D/062920-283 | **730854** | 1

Special set for disconnecter with neutral on the right, red/yellow

Changeover system (I-O-II)

With extension shaft 300 mm, padlockable handle, gasket, flange and template IP65 - Defeat

D/062910-205 | **730655** | 1

With grey handle

D/062910-207 | **731347** | 1

With red/yellow handle

As above but with handle 55 mm height - for inner door

D/062927-265 | **731453** | 1

With black handle IP65

D/062927-267 | **731552** | 1

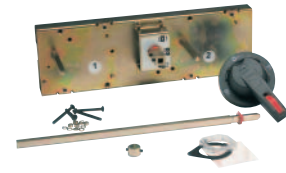
With red/yellow handle

6P/8P-system (I-O)

With extension shaft 300 mm, handle, gasket, flange and template IP65 - defeat

D/062910-206 | **730656** | 1

With grey handle



Keylock

D/769080-000 | **769080** | 1

Plug-in for handles (Ronis 1104)



Fuse protection cover

D/062912-225 | **730614** | 1

3P



Inbus key

D/061000-097 | **730000** | 1

Insulated S5 - L = 200 mm

Standard auxiliary contacts

To be added on the right side

D/061901-001 | **730252** | 1

1P CO

D/061901-002 | **730253** | 1

2P CO



Fulos 000

A

B

C

D

E

X

Fused loadbreak disconnectors



Fulos 00 DIN - 160A
Fulos 00 BS - 200A



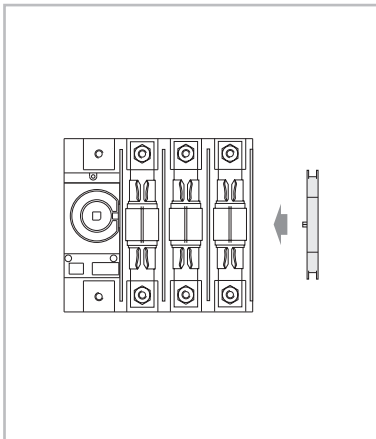
Applications



Approvals / Marking



Add-on devices



Performance

- Panel mounting
- Fused safety disconnector (main disconnector)
- Disconnect function
- Visible contact indication - transparent cover
- Quick make and quick break mechanism
- Independent opening and closing
- Positive contact indication (PCI)
- Very low power losses
- Fuse completely disconnected in "OFF"
- Defeat mechanism rotary handle
- Double knife contacts - high short-circuit resistance
- Number of poles 3P - 4P

Standards

For disconnectors

IEC 60947-1 and IEC 60947-3, DIN VDE 0660 Teil 107, BS EN 60947-3, CEI 17-11 (Fasc. 1039), EN 60947-3, NBN EN 60947-3, NF C 63-130
Safety disconnector (red/yellow) according to DIN VDE 0113 Teil 1

For fuses



IEC 60269-2-1, BS 88 Part 2 1988, DIN VDE 0636 Teil 1, NF EN 60269-1, NF C 63-211, NF C 63-210

Technical data


	DIN 00	BS A4
Rated thermal current	160A	200A
Rated operational voltage Ue	690V	690V
Rated insulation voltage Ui	1000V	1000V
Rated short-circuit current	100kA	100kA
Terminal capacity (Cu)	30 x 6 mm ²	30 x 6 mm ²

- Technical data ● pg. C.6
- Installation facilities ● pg. D.6
- Dimensions ● pg. E.5

Fulos 00 - Fused loadbreak disconnectors

According to DIN		Description	In (A)	Cat. no.	Ref. no.	Pack.
	3P	NH 00	160	D/062321-201	730563	1
	3P+N	NH 00	160	D/062421-201	730579	1
	3P+NF	NH 00	160	D/062521-201	730595	1
According to BS		Description	In (A)	Cat. no.	Ref. no.	Pack.
	3P	BS A4 (TCP Ø 26 - 690V)	100	D/062322-241	730822	1
		BS A4 (TCP / TFP Ø 33.7 - 690V)	200	D/062322-242	731925	1
	3P+N	BS A4 (TCP Ø 26 - 690V)	100	D/062422-241	730834	1
		BS A4 (TCP / TFP Ø 33.7 - 690V)	200	D/062422-242	731927	1
	3P+NF	BS A4 (TCP Ø 26 - 690V)	100	D/062522-241	730846	1
		BS A4 (TCP / TFP Ø 33.7 - 690V)	200	D/062522-242	731929	1

Fulos 00 - Safety fused loadbreak disconnecter

According to DIN		Description	In (A)	Cat. no.	Ref. no.	Pack.
	3P	NH 00 - yellow label, according to DIN VDE 0113 Teil 1	160	D/062321-203	730564	1
	3P+N	NH 00 - yellow label, according to DIN VDE 0113 Teil 1	160	D/062421-203	730580	1

Accessories

	Direct handles					
	D/062910-251	731436	1			
	Low grey					
	D/062910-253	731437	1			
	Low red					
	Handles for inner door					
	Reduced height 55 mm height					
	With extension shaft 300 mm					
	IP65 - padlockable					
	D/062927-202	731056	1			
	Black					
D/062927-203	731351	1				
	Red/yellow					
	Keylock					
	D/769080-000	769080	1			
	Plug-in for handles (Ronis 1104)					
	Handles for cover or hinged door					
	IP65 - Defeat - Padlockable					
	With extension shaft 300 mm (8/8)					
D/062920-201	730661	1				
Black						
D/062920-203	730662	1				
Red/yellow						
D/062920-221	730663	1				
Black and keylockable						
(Keylock Ronis 1104 not included)						
D/062920-223	730664	1				
Red/yellow and keylockable						
(Keylock Ronis 1104 not included)						
D/062920-281	730853	1				
Special set for disconnector with neutral						
on the right, black						
D/062920-283	730854	1				
Special set for disconnector with neutral						
on the right, red/yellow						

Fulos 00

A

B

C

D

E

X

Accessories Fulos 00 (continued)

	Changeover system (I-O-II) With extension shaft 300 mm, padlockable handle, gasket, flange and template IP65 - Defeat	D/062920-265 730665 1	
	With red/yellow handle	D/062920-267 731348 1	
	As above but with handle 55 mm height - for inner door	D/062937-265 731455 1	
	With red/yellow handle	D/062937-267 731554 1	
	6P/8P-system (I-O) With extension shaft 300 mm, padlockable handle, gasket, flange and template IP65 - Defeat	D/062920-266 730666 1	
	With grey handle		
	Standard auxiliary contacts To be added on the right side	D/061901-001 730252 1 1P CO	
		D/061901-002 730253 1 2P CO	
	Anticipated auxiliary contacts (early make and early break) To be mounted inside	D/062921-201 730610 1 1CO	
		D/062921-202 730611 1 2CO	
	Rear connection with cover	D/062922-253 730629 1 Set of 3 pieces	
		D/062922-254 730630 1 Set of 4 pieces	
	Inbus key Insulated S5 - L = 200 mm	D/061000-097 730000 1	

Notes

Grid area for notes.

Dilos/Fulos

A
B
C
D
E
X





Fused loadbreak disconnectors

- Fulos 1 DIN - 250A**
- Fulos 2 DIN - 400A**
- Fulos 1 BS - 200A⁽¹⁾**
- Fulos 2 BS - 400A**



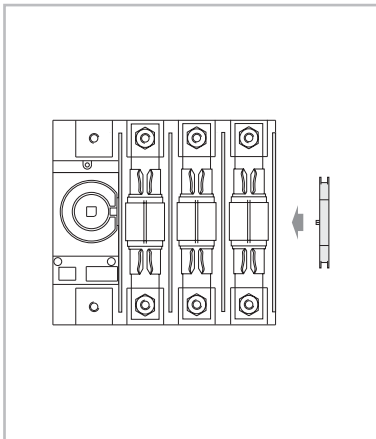
Applications



Approvals / Marking



Add-on devices



Performance

- Panel mounting
- Fused safety disconnector (main disconnector)
- Disconnect function
- Visible contact indication - transparent cover
- Quick make and quick break mechanism
- Independent opening and closing
- Positive contact indication (PCI)
- Very low power losses
- Fuse completely disconnected in "OFF"
- Defeat mechanism rotary handle
- Double knife contacts - high short-circuit resistance
- Number of poles 3P - 4P

Standards

For disconnectors

IEC 60947-1 and IEC 60947-3, DIN VDE 0660 Teil 107, BS EN 60947-3, CEI 17-11 (Fasc. 1039), EN 60947-3, NBN EN 60947-3, NF C 63-130
 Safety disconnector (red/yellow) according to DIN VDE 0113 Teil 1

For fuses

IEC 60269-2-1, BS 88 Part 2 1988, DIN VDE 0636 Teil 1, NF EN 60269-1, NF C 63-211, NF C 63-210

Technical data

	DIN 1/2 250A/400A	BS B1-B4 200A/400A
Rated thermal current	250A/400A	200A/400A
Rated operational voltage Ue	690V	690V
Rated insulation voltage Ui	1000V	1000V
Rated short-circuit current	100kA	100kA
Terminal capacity (Cu)	2x40x6	2x40x6

(1) BS A4 GTMF - 415V - 400A

- Technical data ● pg. C.6
- Installation facilities ● pg. D.6
- Dimensions ● pg. E.5

Fulos 1 - Fused loadbreak disconnectors

According to DIN



	Description	In (A)	Cat. no.	Ref. no.	Pack.
3P	NH 1	250	D/062341-201	730569	1
3P+N	NH 1	250	D/062441-201	730585	1
3P+NF	NH 1 - Fixed neutral	250	D/062541-201	730601	1

According to BS



3P	BS B1-B2 (TC / TF Ø 33.7 - 690V)	200	D/062342-221	730823	1
	BS B4 (GTMF Ø 40.4 - 415V)	400	D/062342-222	731931	1
3P+N	BS B1-B2 (TC / TF Ø 33.7 - 690V)	200	D/062442-221	730835	1
	BS B4 (GTMF Ø 40.4 - 415V)	400	D/062442-222	731933	1
3P+NF	BS B1-B2 (TC / TF Ø 33.7 - 690V)	200	D/062542-221	730847	1
	BS B4 (GTMF Ø 40.4 - 415V) Fixed neutral	400	D/062542-222	731935	1

Fulos 1 - Safety fused loadbreak disconnectors

According to DIN




	Description	In (A)	Cat. no.	Ref. no.	Pack.
3P	NH 1 - with yellow label, acc. DIN VDE 0113 Teil 1	250	D/062341-203	730570	1
3P+N	NH 1 - with yellow label, acc. DIN VDE 0113 Teil 1	250	D/062441-203	730586	1

Accessories



Direct handles		
D/062930-251	731420	1
Low grey		
D/062930-253	731421	1
Low red		

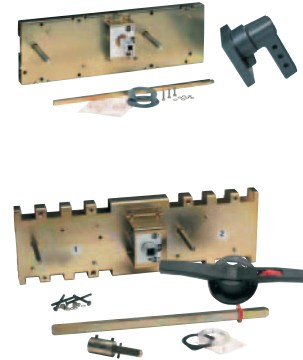
Handles for inner door		
IP65 - With extension shaft 300 mm		
Reduced height 55 mm - Padlockable		
D/062947-202	731352	1
Black		
D/062947-203	731353	1
Red/yellow		





Handles for cover or hinged door		
IP54 - Defeat - Padlockable		
With extension shaft 300 mm (14/14)		
D/062940-241	730667	1
Grey		
D/062940-243	730668	1
Red/yellow		
D/062940-281	730855	1
Special set for disconnector with neutral on the right - grey		

Changeover system (I-O-II)		
With extension shaft 300 mm, padlockable handle, gasket, flange and template		
Padlockable		
D/062940-265	730669	1
With handle IP54 - Defeat mechanism		
As above but with handle 55 mm height - for inner door		
D/062947-265	731457	1
With black handle IP65		



Fulos 1

A

B

C

D

E

X

A

B

C

D



E

X

Accessories Fulos 1 (continued)

	Standard auxiliary contacts To be added on the right side	<table border="1"> <tr> <td>D/061901-001</td> <td>730252</td> <td>1</td> </tr> <tr> <td colspan="3">1P CO</td> </tr> <tr> <td>D/061901-002</td> <td>730253</td> <td>1</td> </tr> <tr> <td colspan="3">2P CO</td> </tr> <tr> <td colspan="3">Max. current rating for AC 15 and DC 13</td> </tr> <tr> <td>AC</td> <td>3A at 380V</td> <td></td> </tr> <tr> <td></td> <td>5A at 220V</td> <td></td> </tr> <tr> <td>DC</td> <td>0.5A at 220V</td> <td></td> </tr> <tr> <td></td> <td>0.7A at 110V</td> <td></td> </tr> <tr> <td></td> <td>1A at 60V</td> <td></td> </tr> <tr> <td></td> <td>2A at 48V</td> <td></td> </tr> <tr> <td></td> <td>4A at 24V</td> <td></td> </tr> </table>	D/061901-001	730252	1	1P CO			D/061901-002	730253	1	2P CO			Max. current rating for AC 15 and DC 13			AC	3A at 380V			5A at 220V		DC	0.5A at 220V			0.7A at 110V			1A at 60V			2A at 48V			4A at 24V		Fuse protection cover <table border="1"> <tr> <td>D/062942-225</td> <td>730620</td> <td>1</td> </tr> <tr> <td colspan="3">3P</td> </tr> </table>	D/062942-225	730620	1	3P			
	D/061901-001	730252	1																																											
1P CO																																														
D/061901-002	730253	1																																												
2P CO																																														
Max. current rating for AC 15 and DC 13																																														
AC	3A at 380V																																													
	5A at 220V																																													
DC	0.5A at 220V																																													
	0.7A at 110V																																													
	1A at 60V																																													
	2A at 48V																																													
	4A at 24V																																													
D/062942-225	730620	1																																												
3P																																														
	Anticipated auxiliary contacts (early make and early break) To be mounted inside	<table border="1"> <tr> <td>P9B10VN</td> <td>187002</td> <td>1</td> </tr> <tr> <td colspan="3">1P NO</td> </tr> <tr> <td>P9B01VR</td> <td>187003</td> <td>1</td> </tr> <tr> <td colspan="3">1P NC</td> </tr> </table>	P9B10VN	187002	1	1P NO			P9B01VR	187003	1	1P NC			<table border="1"> <tr> <td>D/062942-226</td> <td>731461</td> <td>1</td> </tr> <tr> <td colspan="3">Set of 2 short box terminal covers</td> </tr> <tr> <td colspan="3">IP20 - sealable</td> </tr> </table>	D/062942-226	731461	1	Set of 2 short box terminal covers			IP20 - sealable																								
	P9B10VN	187002	1																																											
1P NO																																														
P9B01VR	187003	1																																												
1P NC																																														
D/062942-226	731461	1																																												
Set of 2 short box terminal covers																																														
IP20 - sealable																																														
	Terminals (Cu or Al 240 mm²) <table border="1"> <tr> <td>D/062942-213</td> <td>730633</td> <td>1</td> </tr> <tr> <td colspan="3">Set of 3 V box terminals with cover</td> </tr> <tr> <td>D/062942-214</td> <td>730634</td> <td>1</td> </tr> <tr> <td colspan="3">Set of 4 V box terminals with cover</td> </tr> </table>	D/062942-213	730633	1	Set of 3 V box terminals with cover			D/062942-214	730634	1	Set of 4 V box terminals with cover			<table border="1"> <tr> <td>D/062942-221</td> <td>730619</td> <td>1</td> </tr> <tr> <td colspan="3">Set of 2 connection bolt covers - boxed</td> </tr> </table>	D/062942-221	730619	1	Set of 2 connection bolt covers - boxed																												
	D/062942-213	730633	1																																											
Set of 3 V box terminals with cover																																														
D/062942-214	730634	1																																												
Set of 4 V box terminals with cover																																														
D/062942-221	730619	1																																												
Set of 2 connection bolt covers - boxed																																														
Rear connections with cover <table border="1"> <tr> <td>D/062942-253</td> <td>730635</td> <td>1</td> </tr> <tr> <td colspan="3">Set of 3 pieces</td> </tr> <tr> <td>D/062942-254</td> <td>730636</td> <td>1</td> </tr> <tr> <td colspan="3">Set of 4 pieces</td> </tr> </table>	D/062942-253	730635	1	Set of 3 pieces			D/062942-254	730636	1	Set of 4 pieces																																				
D/062942-253	730635	1																																												
Set of 3 pieces																																														
D/062942-254	730636	1																																												
Set of 4 pieces																																														

Fulos 2 - Fused loadbreak disconnectors

According to DIN		Description	In (A)	Cat. no.	Ref. no.	Pack.
	3P	NH 2	400	D/062351-201	730572	1
	3P+N	NH 2	400	D/062451-201	730588	1
	3P+NF	NH 2	400	D/062551-201	730604	1
According to BS						
	3P	BS B3-B4 (TKF / TMF - 690V)	400	D/062352-241	730824	1
	3P+N	BS B3-B4 (TKF / TMF - 690V)	400	D/062452-241	730836	1
	3P+N	BS B3-B4 (TKF / TMF - 690V)	400	D/062552-241	730848	1

Accessories Fulos 2

	<p>Direct handles</p> <table border="1"> <tr> <td>D/062930-251</td> <td>731420</td> <td>1</td> </tr> </table> <p>Low grey</p>	D/062930-251	731420	1	<p>Changeover system (I-O-II)</p> <p>With extension shaft 300 mm, padlockable handle, gasket, flange and template</p> <p>Padlockable</p> <table border="1"> <tr> <td>D/062940-265</td> <td>730669</td> <td>1</td> </tr> </table> <p>With handle IP54 - defeat</p>	D/062940-265	730669	1							
D/062930-251	731420	1													
D/062940-265	730669	1													
	<p>Handles for cover or hinged door</p> <p>IP54 - Defeat - Padlockable</p> <p>With extension shaft 300 mm (14/14)</p> <table border="1"> <tr> <td>D/062940-241</td> <td>730667</td> <td>1</td> </tr> <tr> <td>D/062940-281</td> <td>730855</td> <td>1</td> </tr> </table> <p>Special set for disconnectors with neutral on the right - grey</p>	D/062940-241	730667	1	D/062940-281	730855	1	<p>As above but with handle 55 mm height for inner door</p> <table border="1"> <tr> <td>D/062947-265</td> <td>731457</td> <td>1</td> </tr> </table> <p>With black handle IP65</p>	D/062947-265	731457	1				
D/062940-241	730667	1													
D/062940-281	730855	1													
D/062947-265	731457	1													
	<p>Handles for inner door</p> <p>IP65 - Padlockable</p> <table border="1"> <tr> <td>D/062947-202</td> <td>731352</td> <td>1</td> </tr> </table> <p>Black, reduced height 55 mm</p> <p>With extension shaft 300 mm</p>	D/062947-202	731352	1	<p>Terminals (Cu or Al 240 mm²)</p> <table border="1"> <tr> <td>D/062942-213</td> <td>730633</td> <td>1</td> </tr> </table> <p>Set of 3 box terminals with cover</p> <table border="1"> <tr> <td>D/062942-214</td> <td>730634</td> <td>1</td> </tr> </table> <p>Set of 4 box terminals with cover</p>	D/062942-213	730633	1	D/062942-214	730634	1				
D/062947-202	731352	1													
D/062942-213	730633	1													
D/062942-214	730634	1													
	<p>Standard auxiliary contacts</p> <p>To be added on the right side</p> <table border="1"> <tr> <td>D/061901-001</td> <td>730252</td> <td>1</td> </tr> </table> <p>1P CO</p> <table border="1"> <tr> <td>D/061901-002</td> <td>730253</td> <td>1</td> </tr> </table> <p>2P CO</p> <p>Max. current rating for AC 15 and DC 13</p> <p>AC 3A at 380V</p> <p>5A at 220V</p> <p>DC 0.5A at 220V</p> <p>0.7A at 110V</p> <p>1A at 60V</p> <p>2A at 48V</p> <p>4A at 24V</p>	D/061901-001	730252	1	D/061901-002	730253	1	<p>Rear connections with cover</p> <table border="1"> <tr> <td>D/062942-253</td> <td>730635</td> <td>1</td> </tr> </table> <p>Set of 3 pieces</p> <table border="1"> <tr> <td>D/062942-254</td> <td>730636</td> <td>1</td> </tr> </table> <p>Set of 4 pieces</p>	D/062942-253	730635	1	D/062942-254	730636	1	
D/061901-001	730252	1													
D/061901-002	730253	1													
D/062942-253	730635	1													
D/062942-254	730636	1													
	<p>Anticipated auxiliary contacts</p> <p>(early make and early break)</p> <p>To be mounted inside</p> <table border="1"> <tr> <td>P9B10VN</td> <td>187002</td> <td>1</td> </tr> </table> <p>1P NO</p> <table border="1"> <tr> <td>P9B01VR</td> <td>187003</td> <td>1</td> </tr> </table> <p>1P NC</p>	P9B10VN	187002	1	P9B01VR	187003	1	<p>Terminal covers - 4P</p> <table border="1"> <tr> <td>D/062942-220</td> <td>730618</td> <td>1</td> </tr> </table> <p>Set of 2 long box terminal covers</p> <table border="1"> <tr> <td>D/062942-226</td> <td>731461</td> <td>1</td> </tr> </table> <p>Set of 2 short box terminal covers</p> <p>IP20 - sealable</p>	D/062942-220	730618	1	D/062942-226	731461	1	
P9B10VN	187002	1													
P9B01VR	187003	1													
D/062942-220	730618	1													
D/062942-226	731461	1													
	<p>Fuse protection cover</p> <table border="1"> <tr> <td>D/062942-225</td> <td>730620</td> <td>1</td> </tr> </table> <p>3P</p>	D/062942-225	730620	1	<table border="1"> <tr> <td>D/062942-221</td> <td>730619</td> <td>1</td> </tr> </table> <p>Set of 2 connection bolt covers</p>	D/062942-221	730619	1							
D/062942-225	730620	1													
D/062942-221	730619	1													

Fused loadbreak disconnectors for panel mounting



Fulos 3S DIN - 630A
Fulos 3S BS - 630A



Applications



Approvals / Marking



Performance

- Panel mounting
- Fused safety disconnector (main disconnector)
- Disconnect function
- Visible contact indication
- Quick make and quick break mechanism
- Independent opening and closing
- Positive contact indication (PCI)
- Very low power losses
- Fuse completely disconnected in "OFF"
- Defeat mechanism rotary handle
- Double knife contacts - high short-circuit resistance
- Number of poles 3P - 4P

Standards

For disconnectors

IEC 60947-1 and IEC 60947-3, DIN VDE 0660 Teil 107, DIN VDE 0113 Teil 1, BS EN 60947-3, CEI 17-11 (Fasc. 1039), EN 60947-3, NBN EN 60947-3, NF C 63-130

For fuses

IEC 60269-2-1, BS 88 Part 2 1988, DIN VDE 0636 Teil 1, NF EN 60269-1, NF C 63-211, NF C 63-210

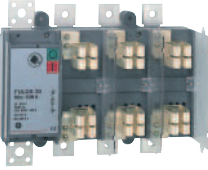
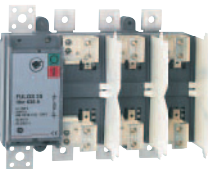
Technical data

	DIN 3	BS C1-C2-C3
Rated thermal current	630A	630A
Rated operational voltage Ue	690V	690V
Rated insulation voltage Ui	1000V	1000V
Rated short-circuit current	100kA	100kA
Terminal capacity (Cu)	2x40x6	2x40x6

- Fused disconnectors and disconn. with tripping device ● pg. B.42
- Motorised disconn. and motorised changeover disconnectors ● pg. B.44
- Manual changeover disconn. ● pg. B.48
- 6P disconnectors ● pg. B.48

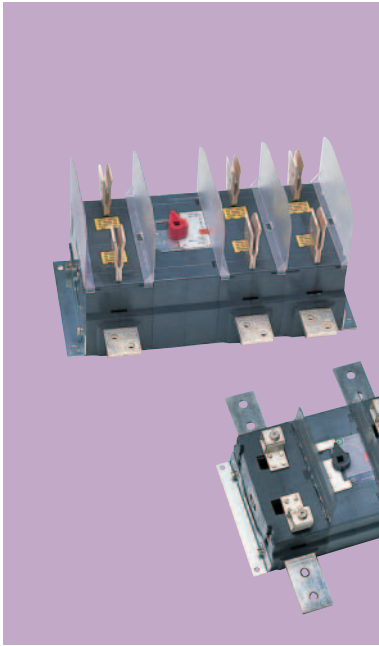
- Technical data ● pg. C.6
- Dimensions ● pg. E.9

Fulos 3S - Fused loadbreak disconnectors

According to DIN		Description	In (A)	Cat. no.	Ref. no.	Pack.
	3P	NH 3	630	D/662361-231	731815	1
	3P+N	NH 3	630	D/662461-231	731845	1
According to BS						
	3P	BS C1-C2 (TM / TTM - 690V)	630	D/662362-231	731825	1
	3P+N	BS C1-C2 (TM / TTM - 690V)	630	D/662462-231	731855	1

Accessories

	Single handles					
	D/662970-231	731903	1	Direct black with fuse cover (3P)		
	D/662960-231	731882	1	Black with extension shaft (300 mm - 12x12 mm) for door mounting - IP65 - Padlockable in OFF position (3 padlocks 6.3 mm) - keylockable (Keylock not included)		
	D/662960-232	731883	1	Black with extension shaft (300 mm - 12x12 mm) for door mounting - IP65 - Padlockable in OFF position (3 padlocks 6.3 mm) with defeat mechanism - keylockable (Keylock not included)		
	Extension shaft					
	D/662960-200	731881	1	200 mm		
	Keylock					
	D/062960-240	730857	1	Plug-in, Fiat key (code H235) Lockable in OFF Key removable in OFF position		
	Padlock system					
	D/661960-245	731787	1	For direct handle		
	Covers - transparent					
	D/662962-223	731895	1	1 upper box terminal cover		
	D/662962-224	731896	1	1 lower box terminal cover		
	D/662962-225	731897	1	Sealable fuse cover (3P)		
	Connection set					
	D/662972-229	731906	1	For fuse detection		
	Auxiliary contacts (CO)					
	D/661971-201	731794	1	1NO+1NC		
	D/661971-202	731795	1	2NO+2NC		
	Technical data, see page B.16					



Fused loadbreak disconnectors for panel mounting

Fulos 4 DIN - 800/1000A
Fulos 4 BS - 1250A



Applications



Approvals / Marking



Performance

- Panel mounting
- Fused safety disconnector (main disconnector)
- Disconnect function
- Visible contact indication
- Quick make and quick break mechanism
- Independent opening and closing
- Positive contact indication (PCI)
- Very low power losses
- Fuse completely disconnected in "OFF"
- Defeat mechanism rotary handle
- Double knife contacts - high short-circuit resistance
- Number of poles 3P - 4P

Standards

For disconnectors

IEC 60947-1 and IEC 60947-3, DIN VDE 0660 Teil 107, DIN VDE 0113 Teil 1, BS EN 60947-3, CEI 17-11 (Fasc. 1039), EN 60947-3, NBN EN 60947-3, NF C 63-130

For fuses

IEC 60269-2-1, BS 88 Part 2 1988, DIN VDE 0636 Teil 1, NF EN 60269-1, NF C 63-211, NF C 63-210

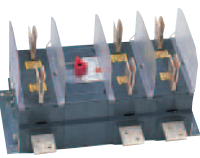
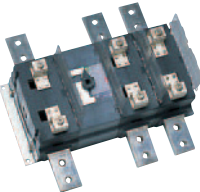
Technical data

	DIN 4D	BS D1
Rated thermal current	800A/1000A	1250A
Rated operational voltage Ue	690V	690V
Rated insulation voltage Ui	1000V	1000V
Rated short-circuit current	100kA	100kA
Terminal capacity (Cu)	2x50x6 Cu	2x50x6 Cu

Technical data ● pg. C.6
 Dimensions ● pg. E.10



Fulos 4 - Fused loadbreak disconnectors

According to DIN		Description	In (A)	Cat. no.	Ref. no.	Pack.
	3P	NH 4D	1000	D/062371-201	730773	1
	3P+N	NH 4D	1000	D/062471-201	730777	1
According to BS		Description	In (A)	Cat. no.	Ref. no.	Pack.
	3P	BS D1 (TLU / TXU - 690V)	1250	D/062372-211	730827	1
	3P+N	BS D1 (TLU / TXU - 690V)	1250	D/062472-211	730839	1

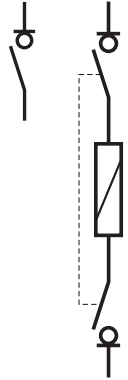
Accessories

	Double handles	D/061980-271 730975 1	Direct black	
	D/062970-261 730865 1	Black with extension shaft (300 mm - 12x12 mm) for door mounting - IP65 - Padlockable in OFF position (3 padlocks 6.3 mm) standard with defeat mechanism and keylockable (Keylock not included)		
	Keylock	D/062960-240 730857 1	Plug-in, Fiat key (code H235) Lockable in OFF position Key removable in OFF position	
	D/062961-201 730860 1	1NO+1NC		
	Terminal cover kit	D/062972-223 730867 1	Set of 3 covers (1 cover/pole) for Fulos 4	
	D/062972-224 730868 1	Set of 4 covers (1 cover/pole) for Fulos 4		
	Connection set	D/662972-229 731906 1	For fuse detection	
	Auxiliary contacts (CO)	D/062961-202 730861 1	2NO+2NC Technical data, see page B.16	



Fused and loadbreak disconnectors - 50kA with tripping device - BA (bell alarm)

Dilos BA 800A up to 2000A
Fulos BA 630A - 800A



Applications



Approvals / Marking



Performance

- Panel mounting
- Safety disconnecter (main disconnecter)
- Disconnect function
- With tripping device (bell alarm)
- Visible contact indication - transparent cover
- Quick make and quick break mechanism
- Independent opening and closing
- Positive contact indication (PCI)
- Double knife contacts - high short-circuit resistance
- Number of poles 3P - 4P

Standards

IEC 60947-1 and IEC 60947-3, DIN VDE 0660 Teil 107, BS EN 60947-3, CEI 17-11 (Fasc. 1039), EN 60947-3, NBN EN 60947-3, NF C 63-130

Function

Manual operated disconnectors with bell alarm (BA) are supplied with a remote tripping device by means of a current coil. A push-button on the board or operated remotely allows switching off. Standard with auxiliary signal contact. The standard coil voltage is 230Vac.

On request:
Coil voltage 24Vdc - 400Vac - 110Vac

Technical data ● pg. C.4/C.6
Dimensions ● pg. E.11/E.12



Dilos 6S BA - Loadbreak disconnectors



	Description	Coil voltage (V)	In (A)	Cat. no.	Ref. no.	Pack.
3P	With door interlock handle IP65 and transparent main contact cover shield	230Vac	800	D/661365-273	731574	1
			1000	D/661366-273	731588	1
			1250	D/661367-273	731606	1
4P	With door interlock handle IP65 and transparent main contact cover shield	230Vac	800	D/661465-273	731667	1
			1000	D/661466-273	731681	1
			1250	D/661467-273	731695	1

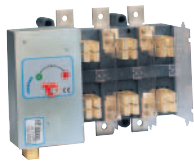
Dilos 7S BA - Loadbreak disconnectors

	Description	Coil voltage (V)	In (A)	Cat. no.	Ref. no.	Pack.
3P	With door interlock handle IP65 and transparent main contact cover shield	230Vac	1600	D/661371-273	731621	1
4P	With door interlock handle IP65 and transparent main contact cover shield	230Vac	1600	D/661471-273	731709	1

Dilos 8S BA - Loadbreak disconnectors

	Description	Coil voltage (V)	In (A)	Cat. no.	Ref. no.	Pack.
3P	With door interlock handle IP65 and transparent main contact cover shield	230Vac	2000	D/661382-273	731637	1
4P	With door interlock handle IP65 and transparent main contact cover shield	230Vac	2000	D/661482-273	731721	1

Fulos 3S BA - Fused loadbreak disconnectors



According to DIN

	Description	Coil voltage (V)	In (A)	Cat. no.	Ref. no.	Pack.
3P	NH 3 - With door interlock handle IP65 and transparent main contact cover shield	230Vac	630	D/662361-273	731818	1
3P+N	NH 3 - With door interlock handle IP65 and transparent main contact cover shield	230Vac	630	D/662461-273	731848	1

According to BS

3P	With door interlock handle IP65 and transparent main contact cover shield					
3P+N	BS C1-C2 (TM / TTM - 690V)		630	D/662362-273	731828	1
	BS C3 (TLM / 690V)		800	D/662363-273	731838	1
3P+N	BS C1-C2 (TM / TTM - 690V)		630	D/662462-273	731858	1
	BS C3 (TLM / 690V)		800	D/662463-273	731868	1

Accessories



Keylock		
D/062960-240	730857	1
Plug-in, Fiat key (code H235)		
Lockable in OFF		
Key removable in OFF position		

Terminal covers - transparent		
D/662962-223	731895	1
1 upper box terminal cover for Dilos 6S and Fulos 3S		
D/662962-224	731896	1
1 lower box terminal cover for Dilos 6S and Fulos 3S		



Dilos 6S - Dilos 7S BA
 Dilos 8S - Fulos 3S BA

A

B

C

D

E

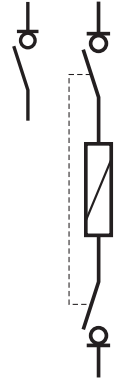
X



Motorised fused and loadbreak disconnectors (MO) - 50kA Motorised changeover loadbreak disconnectors (CO-MO) - 50kA

**Dilos MO 800A up to 3150A
Fulos 3S MO 630A/800A**

**CO-Dilos 6S MO - 800A - 1250A
CO-Dilos 7S MO - 1600A
CO-Dilos 8S MO - 2000A/2500A**



Applications



Approvals / Marking



Performance

- Panel mounting
- Safety disconnector (main disconnector)
- Disconnect function
- Visible contact indication - transparent cover
- Quick make and quick break mechanism
- Independent opening and closing
- Positive contact indication (PCI)
- Double knife contacts - high short-circuit resistance
- Padlockable with 3 padlocks (motorised and manual operation are inhibited)
- Motorised or manual operation (always with a spare handle) by selection with a key lock (only one operation possible)
- Indication 0-I and I-0-II by led
- Indication 0-I and I-0-II operated remotely by auxiliary contacts
- Motor ratings: 110Vac, 230Vac, 380Vac and 24Vdc
- Switching time: closing (0 to I) and opening (I to 0) = 1.5 s.
- Number of poles 3P - 4P
- Fulos 3S for DIN or BS fuses

Standards

IEC 60947-1 and IEC 60947-3, DIN VDE 0660 Teil 107, DIN VDE 0113 Teil 1, BS EN 60947-3, CEI 17-11 (Fasc. 1039), EN 60947-3, NBN EN 60947-3, NF C 63-130

Technical data

Voltage	24Vdc	60Vdc	230Vac	220/380Vac
Start	120VA	135VA	80W	35W
Nominal	70VA	78VA	20W	24W

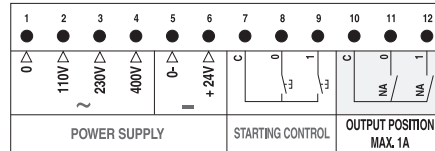
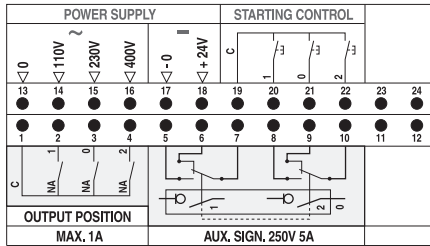
Technical data ● pg. C.4/C.6
 Dimensions ● pg. E.13/E.16



Terminal board diagram

Terminal board diagram connections are done by terminal (MO) or by connector (CO-MO) with following terminals:

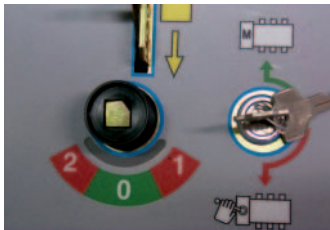
- power supply
- start push-buttons
- indication of the changeover position (I-0-II) or 0-I for the disconnector
- auxiliary changeover signal contacts



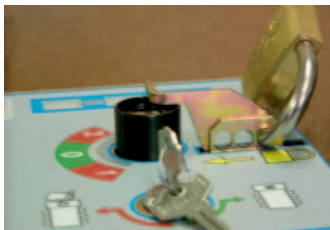
MO diagram

CO-MO diagram

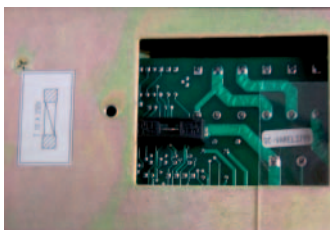
Operating instructions



By rotating the key to the manual position, it is possible to operate manually through the handle, at the same time the electrical operation is inhibited. During manual operation, the display will continue to show the different changeover positions (I-0-II).



It is possible to fit in the proper padlocking device up to three padlocks. When padlocked, both manual and electrical operations are inhibited.



On the side of the housing is the fuse space. In case of fuse blow-out, the led corresponding to the fuse to be replaced lights up.



Handle for manual operation with sliding handgrip. To be stored near the disconnector.

Dilos 6S MO - Loadbreak disconnectors



	Description	In (A)	Cat. no.	Ref. no.	Pack.
3P	With transparent main contact cover shield and spare handle	800	D/661365-281	731575	1
		1000	D/661366-281	731589	1
		1250	D/661367-281	731607	1
4P	With transparent main contact cover shield and spare handle	800	D/661465-281	731668	1
		1000	D/661466-281	731682	1
		1250	D/661467-281	731696	1

Dilos 7S MO - Loadbreak disconnectors

	Description	In (A)	Cat. no.	Ref. no.	Pack.
3P	With transparent main contact cover shield and spare handle	1600	D/661371-281	731622	1
4P	With transparent main contact cover shield and spare handle	1600	D/661471-281	731711	1

Dilos 8S MO - Loadbreak disconnectors

	Description	In (A)	Cat. no.	Ref. no.	Pack.
3P	With transparent main contact cover shield and spare handle	2000	D/661382-281	731638	1
		2500	D/661385-281	731648	1
4P	With transparent main contact cover shield and spare handle	2000	D/661482-281	731723	1
		2500	D/661485-281	731729	1

Dilos 9S MO - Loadbreak disconnectors

	Description	In (A)	Cat. no.	Ref. no.	Pack.
3P	With transparent main contact cover shield and spare handle	3150	D/661393-281	731656	1
3P+N 50%	With transparent main contact cover shield and spare handle	3150	D/661793-281	731773	1

Fulos 3S MO - Fused loadbreak disconnectors

	Description	In (A)	Cat. no.	Ref. no.	Pack.
According to DIN					
3P	NH 3 - With spare handle and cover shield	630	D/662361-281	731819	1
3P+N	NH 3 - With spare handle and cover shield	630	D/662461-281	731849	1
According to BS					
3P	BS C1-C2 (TM / TTM - 690V) - With spare handle and cover shield	630	D/662362-281	731829	1
	BS C3 (TLM - 690V) - With spare handle and cover shield	800	D/662363-281	731839	1
3P+N	BS C1-C2 (TM / TTM - 690V) - With spare handle and cover shield	630	D/662462-281	731859	1
	BS C3 (TLM - 690V) - With spare handle and cover shield	800	D/662463-281	731869	1

Accessories



Terminal cover - transparent		
D/662962-223	731895	1
1 upper box terminal cover		

Terminal cover - transparent		
D/662962-224	731896	1
1 lower box terminal cover		



CO-Dilos 6S MO - Changeover loadbreak disconnectors



	Description	In (A)	Cat. no.	Ref. no.	Pack.
3P	With transparent main contact cover shield and spare handle	800	D/661365-285	731576	1
		1000	D/661366-285	731590	1
		1250	D/661367-285	731608	1
4P	With transparent main contact cover shield and spare handle	800	D/661465-285	731669	1
		1000	D/661466-285	731683	1
		1250	D/661467-285	731697	1

CO-Dilos 7S MO - Changeover loadbreak disconnectors

	Description	In (A)	Cat. no.	Ref. no.	Pack.
3P	With transparent main contact cover shield and spare handle	1600	D/661371-285	731625	1
4P	With transparent main contact cover shield and spare handle	1600	D/661471-285	731712	1

CO-Dilos 8S MO - Changeover loadbreak disconnectors

	Description	In (A)	Cat. no.	Ref. no.	Pack.
3P	With transparent main contact cover shield and spare handle	2000	D/661382-285	731639	1
		2500	D/661385-285	731649	1
3P+N 50%	With transparent main contact cover shield and spare handle	2000	D/661782-285	731756	1
		2500	D/661785-285	731763	1

Accessories for CO-Dilos 6S MO



Terminal cover - transparent		
D/662962-223	731895	1
1 upper box terminal cover		

Terminal cover - transparent		
D/662962-224	731896	1
1 lower box terminal cover		



CO-MO disconnectors

A

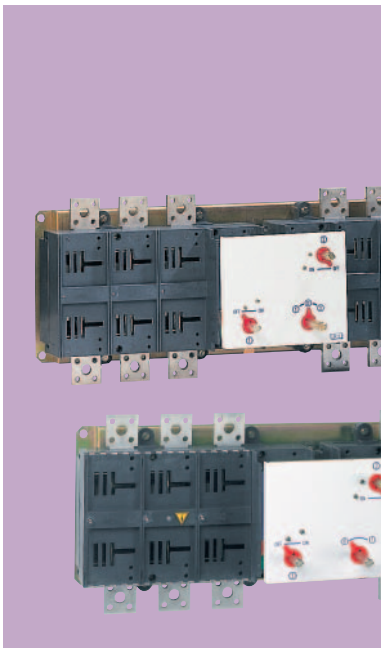
B

C

D

E

X



**Manual changeover loadbreak
disconnectors - 50kA
6P loadbreak disconnectors - 35kA**

**CO-Dilos 6S - 800A up to 1250A
CO-Dilos 7S - 1600A
CO-Dilos 8S - 2000A/2500A**

6P Dilos 6S - 800A up to 1250A



Order codes

A

B

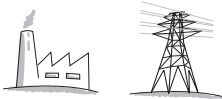
C

D

E

X

Applications



Approvals / Marking



Performance

- Panel mounting
- Safety disconnector (main disconnector)
- Disconnect function
- Visible contact indication - transparent cover
- Quick make and quick break mechanism
- Independent opening and closing
- Positive contact indication (PCI)
- Double knife contacts - high short-circuit resistance
- Number of poles 3P - 4P = changeover
6P = 6P Dilos

Standards


IEC 60947-1 and IEC 60947-3, DIN VDE 0660 Teil 107,
DIN VDE 0113 Teil 1, BS EN 60947-3, CEI 17-11 (Fasc. 1039),
EN 60947-3, NBN EN 60947-3, NF C 63-130

**On request:
CO fused disconnectors
CO disconnector 3150A**

Technical data ● pg. C.2
Dimensions ● pg. E.19/E.21



CO-Dilos 6S - Changeover loadbreak disconnectors

	Description	In (A)	Cat. no.	Ref. no.	Pack.
 3P	With transparent main contact cover shield and door interlock handle - IP65	800	D/661365-255	731572	1
		1000	D/661366-255	731586	1
		1250	D/661367-255	731602	1
4P	With transparent main contact cover shield and door interlock handle - IP65	800	D/661465-255	731665	1
		1000	D/661466-255	731679	1
		1250	D/661467-255	731693	1

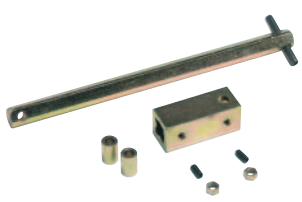
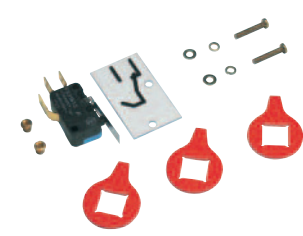

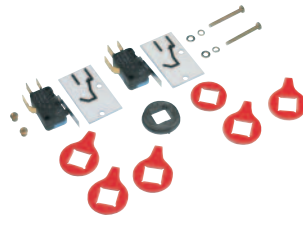
CO-Dilos 7S - Changeover loadbreak disconnectors

	Description	In (A)	Cat. no.	Ref. no.	Pack.
3P	With transparent main contact cover shield and door interlock handle - IP65	1600	D/661371-255	731619	1
4P	With transparent main contact cover shield and door interlock handle - IP65	1600	D/661471-255	731707	1


CO-Dilos 8S - Changeover loadbreak disconnectors

	Description	In (A)	Cat. no.	Ref. no.	Pack.
3P	With transparent main contact cover shield and door interlock handle - IP65	2000	D/661382-255	731635	1
		2500	D/661385-255	731647	1
3P+N 50%	With transparent main contact cover shield and door interlock handle - IP65	2000	D/661782-255	731755	1
		2500	D/661785-255	731762	1


Accessories

	Extension shaft	Auxiliary contacts (CO)		
	D/662960-200 731881 1 200 mm	D/661971-201 731794 1 1NO+1NC		
	Terminal covers - transparent	D/661971-202 731795 1 2NO+2NC		
	D/662962-223 731895 1 1 upper box terminal cover for Dilos 6S	D/662962-224 731896 1 1 lower box terminal cover for Dilos 6S		
Technical data, see page B.16				

6P Dilos 6S - Loadbreak disconnectors

	6P	Description	In (A)	Cat. no.	Ref. no.	Pack.
			800	D/661665-231	731745	1
			1000	D/661666-231	731747	1
			1250	D/661667-231	731749	1

Accessories

	Keylock						
	D/062960-240	730857	1		Auxiliary contacts (CO)		
	Plug-in, Fiat key (code H235)				D/661971-201	731794	1
	Lockable in OFF position Key removable in OFF position				1NO+1NC		
	Terminal covers - transparent						
	D/662962-223	731895	1		D/661971-202	731795	1
1 upper box terminal cover			2NO+2NC				
	D/662962-224	731896	1		Technical data, see page B.16		
	1 lower box terminal cover						

Order codes

A

B

C

D

E

X

		Benefits	A
		Order codes	B
		Technical data	C
C.2	Dilos - Loadbreak disconnectors for DIN-rail mounting	Installation facilities	D
C.4	Dilos - Loadbreak disconnectors for wall mounting		
C.6	Fulos - Fused loadbreak disconnectors for wall mounting	Dimensions	E
C.8	Fulos Plus - Fused loadbreak disconnectors for DIN-rail mounting		
		Numerical Index	X

Dilos - Loadbreak disconnectors for DIN-rail mounting

			Dilos 00	Dilos 00	Dilos 00	Dilos 00	Dilos 0
Conventional enclosed thermal current $I_{the} = I_{th}$			(A) 16	25	32	40	32
Number of poles			3	3	3	3	2/3/4
Frequency			(Hz) 50/60	50/60	50/60	50/60	50/60
Rated thermal current at	40°C	(A)	16	25	32	40	32
	50°C	(A)	16	25	32	40	32
	60°C	(A)	16	25	32	40	32
Power loss per pole			(W) 0.12	0.35	0.6	1	0.6
Terminal capacity (Cu)	minimum	(mm ²)	1.5	1.5	1.5	1.5	2.5
	maximum	(mm ²)	16	16	16	16	25
Maximum torque on terminals			(Nm) 2.2	2.2	2.2	2.2	-
Rated operational voltage U_e			(V) 690	690	690	690	415
Rated insulation voltage U_i			(V) 690	690	690	690	415
Rated impulse withstand voltage (2000m) U_{imp}			(kV) 8	8	8	8	8
Impulse test voltage at sea level			(kV) 12.3	12.3	12.3	12.3	12.3
Rated operational current I_e AC21A	$U_e=400V$	(A)	16	25	32	40	32
	$U_e=415V$	(A)	16	25	32	40	32
	$U_e=500V$	(A)	16	25	32	40	-
	$U_e=690V$	(A)	16	25	32	40	-
Rated operational current I_e AC22A	$U_e=400V$	(A)	16	25	32	40	32
	$U_e=415V$	(A)	16	25	32	40	32
	$U_e=500V$	(A)	16	25	32	40	-
	$U_e=690V$	(A)	16	25	32	40	-
Rated operational current I_e AC23A	$U_e=400V$	(A)	16	25	32	40	32
	$U_e=415V$	(A)	16	25	32	40	32
	$U_e=500V$	(A)	16	25	32	40	-
	$U_e=690V$	(A)	16	25	25	25	-
Maximum rated operational power at rated duty AC23	$U_e=400V$	(kW)	7.5	7.5	11	11	17
	$U_e=415V$	(kW)	7.5	7.5	11	11	17
	$U_e=500V$	(kW)	7.5	7.5	11	15	-
	$U_e=690V$	(kW)	11	11	11	18.5	-
Rated making and breaking capacity at 415V AC23A	making 10 x I_e	(A)	160	250	320	400	320
	breaking 8 x I_e	(A)	128	200	256	320	256
Rated short time withstand current I_{cw}	1 s.	(kA rms)	1	1	1.2	1.2	2.5
	0.25 s.	(kA rms)	-	-	-	-	-
Rated short-circuit making capacity I_{cm}	$U_e=400V$	(kA peak)	4.5	4.5	4.5	4.5	6
	$U_e=415V$	(kA peak)	4.5	4.5	4.5	4.5	6
	$U_e=500V$	(kA peak)	3	3	3	3	-
	$U_e=690V$	(kA peak)	3	3	3	3	-
Rated conditional short-circuit current with back-up protection featuring the same current rating as the switch (kA rms)	400V	(kA)	50	50	50	50	15
	415V	(kA)	50	50	50	50	15
	500V	(kA)	50	50	50	50	-
	690V	(kA)	50	50	50	50	-
Rated capacity power at 400V			(kVAR) -	-	-	-	-
Rated operational current DC23A	2P in series 110V	(A)	-	25	32	40	-
	2P in series 220V	(A)	-	25	-	-	-
	4P in series 220V	(A)	-	-	-	-	-
Operating torque			(Nm) 0.5	0.5	0.5	0.5	2.5
Force			(N) -	-	-	-	50
Durability (number of operational cycles)	electrical		3000	3000	3000	3000	1000
	mechanical (min)		40000	40000	40000	40000	10000
UL listed following UL file E143291 (acc UL508)							
UL 508 General Use 480V			In (A)	-	-	-	-
UL 508 Manual motor controller 480V			FLA (A)	-	-	-	-
			Power (HP)	-	-	-	-
UL short-circuit at 480V			K5fu (kA)	-	-	-	-
			UL J-fuses (kA)	-	-	-	-
Weight	2P	(kg)	0.125	0.125	0.125	0.125	0.27
	3P	(kg)	0.125	0.125	0.125	0.125	0.29
	4P	(kg)	0.170	0.170	0.170	0.170	0.33

Technical data

A

B

C

D

E

X



Dilos 0	Dilos 0	Dilos 1	Dilos 1	Dilos 1	Dilos 1	Dilos 1	Dilos 2	Dilos 2
40	63	40	63	80	100	125	160	200
2/3/4	2/3/4	2/3/4	2/3/4	2/3/4	2/3/4	2/3/4	2/3/4	2/3/4
50/60	50/60	50/60	50/60	50/60	50/60	50/60	50/60	50/60
40	63	40	63	80	100	125	160	200
40	63	40	63	80	100	125	160	200
40	63	40	63	80	100	125	160	200
1	1.6	0.48	1.2	1.84	2.9	4.5	6.5	10
2.5	2.5	6	6	6	6	6	Cu-rail	Cu-rail
25	25	50	50	50	50	50	20x6	20x6
-	-	12	12	12	12	12	12	12
415	415	690	690	690	690	690	690	690
415	415	690	690	690	690	690	690	690
8	8	8	8	8	8	8	8	8
12.3	12.3	12.3	12.3	12.3	12.3	12.3	12.3	12.3
40	63	40	63	80	100	125	160	200
40	63	40	63	80	100	125	160	200
-	-	40	63	80	100	100	160	200
-	-	40	63	80	100	100	160	200
40	63	40	63	80	100	125	160	200
40	63	40	63	80	100	125	160	200
-	-	40	63	80	100	100	160	200
-	-	40	50	63	63	63	160	200
40	63	40	50	80	80	80	125	160
40	63	40	50	80	80	80	125	160
-	-	25	32	50	50	50	125	125
-	-	18	25	40	40	40	63	80
21	21	21	27	44	44	44	69	88
21	21	22	28	46	46	46	72	92
-	-	22	22	35	35	35	86	86
-	-	22	22	36	36	36	60	76
400	630	400	630	800	1000	1250	1600	2000
320	504	320	504	640	800	1000	1280	1600
2.5	2.5	3	3	3	3	3	3	3
-	-	6	6	6	6	6	6	6
6	6	6.8	6.8	6.8	6.8	6.8	10	10
6	6	6.8	6.8	6.8	6.8	6.8	10	10
-	-	4.5	4.5	4.5	4.5	4.5	6.7	6.7
-	-	4.5	4.5	4.5	4.5	4.5	6.7	6.7
15	15	50	50	50	50	50	50	50
15	15	50	50	50	50	50	50	50
-	-	50	50	50	50	50	50	30
-	-	32	32	32	32	32	20	18
-	-	20	30	40	50	60	77	97
-	-	40	63	80	100	100	160	160
-	-	40	63	-	-	-	100	100
-	-	-	-	80	100	125	160	160
2.5	2.5	1.4	1.4	1.4	1.4	1.4	1.4	1.4
50	50	45	45	45	45	45	45	45
1000	1000	1500	1500	1500	1500	1500	1000	1000
10000	10000	20000	20000	20000	20000	20000	10000	10000
-	-	-	60	-	-	80	100	125
-	-	-	21	-	-	27	34	40
-	-	-	15	-	-	20	25	30
-	-	-	40	-	-	40	40	40
-	-	-	50	-	-	50	50	50
0.27	0.27	0.48	0.48	0.48	0.48	0.48	0.62	0.62
0.29	0.29	0.54	0.54	0.54	0.54	0.54	0.73	0.73
0.33	0.33	0.59	0.59	0.59	0.59	0.59	0.77	0.77

Dilos

A

B

C

D

E

X



Dilos - Loadbreak disconnectors for wall mounting

			Dilos 1H	Dilos 1H	Dilos 1H	Dilos 3	Dilos 3	Dilos 3
Conventional enclosed thermal current $I_{the} = I_{th}$		(A)	40	63	125	160	200	250
Number of poles			3/4	3/4	3/4	3/4	3/4	3/4
Frequency		(Hz)	50/60	50/60	50/60	50/60	50/60	50/60
Rated thermal current at	40°C	(A)	40	63	125	160	200	250
	50°C	(A)	40	63	125	160	200	250
	60°C	(A)	40	63	125	160	200	250
Power loss per pole		(W)	0.9	2.2	8.5	3	4.8	7.5
Terminal capacity (Cu)	minimum	(mm ²)	6	6	6	Cu-rail	Cu-rail	Cu-rail
	maximum	(mm ²)	50	50	50	30x6	30x6	30x6
Maximum torque on terminals		(Nm)	12	12	12	12	12	12
Rated operational voltage U_e		(V)	690	690	690	690	690	690
Rated insulation voltage U_i		(V)	1000	1000	1000	1000	1000	1000
Rated impulse withstand voltage (2000m) U_{imp}		(kV)	8	8	8	8	8	8
Impulse test voltage at sea level		(kV)	12.3	12.3	12.3	12.3	12.3	12.3
Rated operational current I_e	$U_e=400V$	(A)	40	63	125	160	200	250
	AC21A up to 250A	$U_e=415V$	(A)	40	63	125	160	200
	AC21B from 315A	$U_e=500V$	(A)	40	63	125	160	200
		$U_e=690V$	(A)	40	63	125	160	200
Rated operational current I_e	$U_e=400V$	(A)	40	63	125	160	200	250
	AC22A up to 250A	$U_e=415V$	(A)	40	63	125	160	200
	AC22B from 315A	$U_e=500V$	(A)	40	63	125	160	200
		$U_e=690V$	(A)	40	63	125	160	200
Rated operational current I_e	$U_e=400V$	(A)	40	63	125	160	200	250
	AC23A up to 250A	$U_e=415V$	(A)	40	63	125	160	200
	AC23B from 315A	$U_e=500V$	(A)	40	63	125	160	200
		$U_e=690V$	(A)	40	50	50	160	200
Maximum rated operational power at rated duty AC23	$U_e=400V$	(kW)	21	30	69	88	88	135
	$U_e=415V$	(kW)	22	33	72	92	92	140
	$U_e=500V$	(kW)	27	44	86	110	175	175
	$U_e=690V$	(kW)	36	45	45	140	190	190
Rated making and breaking capacity at 500Vac 23A	making 10 x I_e	(A)	400	630	1250	1600	2000	2500
	breaking 8 x I_e	(A)	320	504	1000	1280	1600	2000
Rated short time withstand I_{cw}	1 s.	(kA rms)	3	3	3	9	9	9
	0.25 s.	(kA rms)	6	6	6	15	15	15
Rated short-circuit making capacity I_{cm}	$U_e=400V$	(kA peak)	10	10	10	30	30	30
	$U_e=415V$	(kA peak)	10	10	10	30	30	30
	$U_e=500V$	(kA peak)	7	7	7	30	30	30
	$U_e=690V$	(kA peak)	7	7	7	30	30	30
Rated conditional short-circuit current with back-up protection featuring the same current rating as the switch (kA ms)	400V	(kA)	50	50	50	100	100	100
	415V	(kA)	50	50	50	100	100	100
	500V	(kA)	50	50	50	100	100	100
	690V	(kA)	33	33	33	100	100	100
Rated capacity power at 400V		(kVAR)	19	30	60	77	97	120
Rated operational current DC23A	2P in series 110V	(A)	40	63	100	160	200	250
	2P in series 220V	(A)	40	63	-	100	160	160
	4P in series 220V	(A)	-	-	100	160	200	250
Operating torque		(Nm)	8	8	8	12	12	12
Force		(N)	80	80	80	120	120	120
Durability (number of operational cycles)	electrical		5000	2000	1000	3000	1000	1000
	mechanical (min)		15000	15000	10000	10000	10000	10000
UL listed following UL file E143291 (acc UL508)								
UL 508 General Use 480V	In	A	30	60	100	-	-	-
UL 508 Manual motor controller 480V	FLA	A	-	-	-	-	-	-
	Power	(HP)	-	-	-	-	-	-
UL short-circuit at 480V	K5fu	(kA)	10	10	10	-	-	-
	UL J-fuses	(kA)	50	50	50	-	-	-
Weight	2P	(kg)	-	-	-	-	-	-
	3P	(kg)	1.18	1.18	1.18	2.75	2.75	2.75
	4P	(kg)	1.25	1.25	1.25	2.90	2.90	2.90

Technical data

A

B

C

D

E

X



Dilos 3	Dilos 4	Dilos 4	Dilos 4	Dilos 6S 35/50kA	Dilos 6S 35/50kA	Dilos 6S 35/50kA	Dilos 7S	Dilos 8S	Dilos 8S	Dilos 9S	Dilos 9
315	400	500	630	800	1000	1250	1600	2000	2500	3150	4000
3/4	3/4	3/4	3/4	3/4	3/4	3/4	3/4	3/4	3/4	3/4	3/4
50/60	50/60	50/60	50/60	50/60	50/60	50/60	50/60	50/60	50/60	50/60	50/60
315	400	500	630	800	1000	1250	1600	2000	2500	3150	4000
315	400	500	630	720	900	1125	1440	1800	2250	2835	3600
315	400	500	630	640	800	1000	1280	1600	2000	2520	3200
12	10.5	16	26	29	45	70	95	103	133	420	500
Cu-rail	Cu-rail	Cu-rail	Cu-rail	Cu-rail	Cu-rail	Cu-rail	Cu-rail	Cu-rail	Cu-rail	Cu-rail	Cu-rail
30x6	40x6	40x6	40x6	2x50x5	2x50x6	2x50x8	2x60x10	2x80x10	2x80x10	4x100x10	4x100x10
12	60	60	60	35	35	35	35	35	35	35	35
690	690	690	690	1000	1000	1000	1000	1000	1000	1000	1000
1000	1000	1000	1000	1500	1500	1500	1500	1500	1500	1500	1500
8	8	8	8	12	12	12	8	8	8	8	8
12.3	12.3	12.3	12.3	18.5	18.5	18.5	12.3	12.3	12.3	12.3	12.3
315	400	500	630	800	1000	1250	1600	2000	2500	3150	4000
315	400	500	630	800	1000	1250	1600	2000	2500	3150	4000
315	400	500	630	800	1000	1250	1600	2000	2500	3150	4000
315	400	500	630	800	1000	1250	1600	2000	2500	-	-
315	400	500	630	800	1000	1250	1600	2000	2500	-	-
315	400	500	630	800	1000	1250	1250	1250	1250	-	-
315	400	500	630	800	1000	1250	1000	1000	800	-	-
315	400	500	630	800	1000	1250	1250	1250	-	-	-
315	400	500	630	800	1000	1250	1250	1250	-	-	-
315	400	500	630	630	800	800	800	800	-	-	-
200	400	400	450	500	630	630	630	630	-	-	-
165	218	270	335	-	-	-	-	-	-	-	-
175	230	285	375	-	-	-	-	-	-	-	-
220	295	370	405	-	-	-	-	-	-	-	-
190	390	440	440	-	-	-	-	-	-	-	-
3150	4000	5000	6300	8000	10000	12500	16000	20000	-	-	-
2520	3200	4000	5040	6400	8000	10000	12800	16000	-	-	-
9	20	20	20	35 / 50	35 / 50	35 / 50	50	50	50	50	50
15	35	35	35	70 / 100	70 / 100	70 / 100	120	120	140	140	100
30	60	60	60	73.5 / 105	73.5 / 105	73.5 / 105	105	105	105	105	105
30	60	60	60	73.5 / 105	73.5 / 105	73.5 / 105	105	105	105	105	105
30	60	60	60	-	-	-	-	-	-	-	-
30	60	60	60	-	-	-	-	-	-	-	-
70	100	100	100	50	50	50	50	50	50	50	50
70	100	100	100	50	50	50	50	50	50	50	50
50	100	100	100	-	-	-	-	-	-	-	-
50	100	100	100	-	-	-	-	-	-	-	-
152	193	242	305	380	475	600	780	850	1100	1250	-
315	400	-	-	800	1000	1250	800	800	-	-	-
160	-	-	-	800	1000	1000	800	800	-	-	-
315	400	-	-	-	-	-	-	-	-	-	-
12	40	40	40	45 / 70	45 / 70	45 / 70	70	70	70	70	150
120	333	333	333	160	160	160	174	174	174	174	330
800	1000	700	500	1000	1000	1000	1000	500	500	500	500
10000	5000	5000	5000	4000	4000	4000	4000	2500	2500	2500	2500
-	-	-	-	-	-	-	-	-	-	-	-
-	-	-	-	-	-	-	-	-	-	-	-
-	-	-	-	-	-	-	-	-	-	-	-
-	-	-	-	-	-	-	-	-	-	-	-
-	-	-	-	-	-	-	-	-	-	-	-
2.75	9.00	9.00	9.00	11	11	11	17	19	27	40	84
2.90	9.60	9.60	9.60	12	12	12	19	20	30	44	108

Dilos

A

B

C

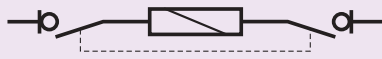
D

E

X



Fulos - Fused loadbreak disconnectors for wall mounting



			Fulos 000 NF 14 x 51	Fulos 000 NF 22 x 58	Fulos 000 DIN 00	Fulos 000 DIN 00	Fulos 000 DIN 00	Fulos 00 DIN 00	Fulos 1 DIN 1
Conventional thermal current Ith	(A)		50	100	32	63	100	160	250
Conventional enclosed thermal current Ithe	(A)		50	100	32	63	100	160	250
Number of poles			3/3+N	3/3+N	3/3+N	3/3+N	3/3+N	3/3+N	3/3+N
Frequency	(Hz)		50/60	50/60	50/60	50/60	50/60	50/60	50/60
Rated thermal current at	40°C	(A)	50	125	32	63	125	160	250
	50°C	(A)	50	112	32	63	112	160	250
	60°C	(A)	50	100	32	63	100	160	250
Power loss per pole (switch only)	(W)		1.6	8.5	0.65	2.5	6.5	5.2	6.5
Power loss per pole (fuse only)	(W)		5	7.5	7.5	7.5	7.5	15	32
Terminal capacity (Cu)	minimum	(mm ²)	6	6	6	6	6	Cu-rail	Cu-rail
	maximum	(mm ²)	50	50	50	50	50	30x6	2x40x6
Maximum torque on terminals	(Nm)		12	12	12	12	12	12	60
Rated operational voltage Ue	(V)		690	690	690	690	690	690	690
Rated insulation voltage Uimp	(V)		1000	1000	1000	1000	1000	1000	1000
Rated impulse withstand voltage (2000m) Uimp	(kV)		8	8	8	8	8	8	8
Impulse test voltage at sea level	(kV)		12.3	12.3	12.3	12.3	12.3	12.3	12.3
Rated operational current Ie ⁽¹⁾	Ue=400V	(A)	50	125	32	63	125	160	250
	AC21A up to 250A	(A)	50	125	32	63	125	160	250
	AC21B from 315A	Ue=500V	(A)	50	125	32	63	125	160
		Ue=690V	(A)	50	125	32	63	125	160
Rated operational current Ie ⁽¹⁾	Ue=400V	(A)	50	125	32	63	125	160	250
	AC22A up to 250A	(A)	50	125	32	63	125	160	250
	AC22B from 315A	Ue=500V	(A)	50	125	32	63	125	160
		Ue=690V	(A)	50	125	32	63	125	160
Rated operational current Ie ⁽¹⁾	Ue=400V	(A)	50	125	32	63	125	160	250
	AC23A up to 250A	(A)	50	125	32	63	125	160	250
	AC23B from 315A	Ue=500V	(A)	50	100	32	63	125	160
		Ue=690V	(A)	50	80	32	50	50	125
Maximum rated operational power at rated duty AC23	Ue=400V	(kW)	25	69	16	30	69	88	135
	Ue=415V	(kW)	27	72	18	33	72	92	140
	Ue=500V	(kW)	36	86	23	44	86	110	175
	Ue=690V	(kW)	45	45	29	45	45	115	238
Rated making and breaking capacity at 500V AC23A	making	(A)	1000	1000	1000	1000	1000	1600	2500
	breaking	(A)	800	800	800	800	800	1280	2000
Rated conditional short-circuit current with back-up protection featuring the same current rating as the switch (kA rms)	400V	(kA)	50	100	50	50	100	100	100
	415V	(kA)	50	100	50	50	100	100	100
	500V	(kA)	50	100	50	50	100	100	100
	690V	(kA)	33	33	33	33	33	100	100
Rated capacity power at 400V	(kVAR)		24	60	16	30	60	77	120
Rated operational current DC23A	2P in series 110V	(A)	50	100	32	63	100	160	250
	2P in series 220V	(A)	50	63	32	63	-	100	160
	4P in series 220V	(A)	-	100	-	-	100	160	250
Operating torque	(Nm)		8	8	8	8	8	12	40
Force	(N)		80	80	80	80	80	120	333
Durability (number of operational cycles)	electrical		4000	3000	5000	3000	1500	1000	1000
	mechanical (min)		10000	10000	10000	10000	10000	10000	5000
Weight	3P	(kg)	1.20	1.20	1.27	1.27	1.27	3.05	10.60
	4P	(kg)	1.27	1.27	1.35	1.35	1.35	3.21	11.20

(1) NF 125A AC21..23B
DIN 125A AC21..23B

Fulos 2 DIN 2	Fulos 3S DIN 3	Fulos 4 DIN 4	Fulos 000 BS A2	Fulos 000 BS A3	Fulos 000 BS A3	Fulos 00 BS A4	Fulos 00 BS A4	Fulos 1 BS B1-B2	Fulos 1 BS B4	Fulos 2 BS B3-B4	Fulos 3S BS C1-C2	Fulos 3S BS C3	Fulos 4 BS D1
400	630	1000	32	63	100	100	200	200	400	400	630	800	1250
400	630	1000	32	63	100	100	200	200	400	400	630	800	1250
3/3+N	3/3+N	3/3+N	3/3+N	3/3+N	3/3+N	3/3+N	3/3+N	3/3+N	3/3+N	3/3+N	3/3+N	3/3+N	3/3+N
50/60	50/60	50/60	50/60	50/60	50/60	50/60	50/60	50/60	50/60	50/60	50/60	50/60	50/60
400	630	1000	32	63	100	100	200	200	400	400	630	800	1250
400	567	900	32	63	100	100	200	200	400	400	567	720	1125
400	504	800	32	63	100	100	200	200	400	400	504	640	1000
16			2.5	2.5	6.5	2	4.8	3.6	15	15	-	-	-
45	50	125	7.5	7.5	7.5	16	32	32	45	45	50	75	195
Cu-rail	Cu-rail	Cu-rail	6	6	6	Cu-rail	Cu-rail	Cu-rail	Cu-rail	Cu-rail	Cu-rail	Cu-rail	Cu-rail
2x40x6	2x40x6	2x50x10	50	50	50	30x6	30x6	2x40x6	2x40x6	2x40x6	2x40x6	2x40x6	2x60x10
60	35	35	12	12	12	12	12	60	60	60	35	35	35
690	1000	690	690	690	690	690	690	690	690	690	1000	1000	690
1000	1500	1000	1000	1000	1000	1000	1000	1000	1000	1000	1500	1500	1000
8	8	8	8	8	8	8	8	8	8	8	8	8	8
12.3	12.3	12.3	12.3	12.3	12.3	12.3	12.3	12.3	12.3	12.3	12.3	12.3	12.3
400	630	1000	32	63	100	100	200	200	400	400	630	800	1250
400	630	1000	32	63	100	100	200	200	400	400	630	800	1250
400	630	1000	32	63	100	100	200	200	400	400	630	800	1250
400	630	1000	32	63	100	100	200	200	400	400	630	800	1250
400	630	1000	32	63	100	100	200	200	400	400	630	800	1250
400	630	1000	32	63	100	100	200	200	400	400	630	800	1250
400	630	1000	32	63	100	100	200	200	400	400	630	800	1250
400	630	1000	32	63	100	100	200	200	400	400	630	800	1250
400	630	1000	32	63	100	100	200	200	400	400	630	800	1250
400	630	1000	32	63	100	100	200	200	400	400	630	800	1250
300	630	1000	32	50	80	100	200	200	300	300	630	800	1250
218	-	-	16	30	50	50	88	100	218	218	330	330	-
230	-	-	18	33	55	55	92	110	230	230	-	-	-
295	-	-	23	44	72	72	175	140	295	295	-	-	-
290	-	-	29	45	45	90	190	190	290	290	-	-	-
4000	6300	10000	1000	1000	1000	1600	2400	3200	4000	4000	6300	8000	12500
3200	5040	8000	800	800	800	1000	2000	2800	3200	3200	5040	6400	10000
100	50	100	50	50	65	100	100	100	100	100	50	50	100
100	50	100	50	50	65	100	100	100	100	100	50	50	100
100	-	-	50	50	-	100	100	100	100	100	-	-	-
100	-	-	50	33	-	100	80	100	100	100	-	-	-
193	300	475	16	30	48	48	97	97	193	193	300	380	600
400	500	1000	32	63	100	100	200	200	400	400	500	500	1000
-	-	1000	32	63	-	63	160	160	-	-	-	-	1000
400	-	-	-	-	100	100	200	200	400	400	-	-	-
40	45	80	8	8	8	12	12	40	40	40	45	45	80
333	160	174	80	80	80	120	120	333	333	333	160	160	174
700	1000	1000	3000	3000	3000	1500	1000	1000	700	700	1000	1000	1000
5000	4000	4000	15000	15000	15000	10000	10000	5000	5000	5000	4000	4000	4000
10.60	13.00	33.00	1.22	1.22	1.27	3.11	3.11	11.20	11.20	11.20	13.00	13.00	33.00
11.20	14.50	42.00	1.29	1.29	1.35	3.27	3.27	11.80	11.80	11.80	14.50	14.50	42.00

Fulos

A

B

C

D

E

X



Fulos Plus - Fused loadbreak disconnectors for DIN-rail mounting



			FP 32			FP 50	FP 63	
			BS A2	NF 10X38	DIN 000	NF 14X51	BS A3	DIN 000
Conventional thermal current I _{th}	(A)		32	32	32	50	63	63
Conventional enclosed thermal current I _{the}	(A)		32	32	32	50	63	63
Number of poles			3 / 3+N	3 / 3+N	3 / 3+N	3 / 3+N	3 / 3+N	3 / 3+N
Frequency	(Hz)		50 / 60	50 / 60	50 / 60	50 / 60	50 / 60	50 / 60
Rated thermal current at	40°C	(A)	-	-	-	-	-	-
	50°C	(A)	-	-	-	-	-	-
	60°C	(A)	-	-	-	-	-	-
Power loss per pole (switch only)	(W)	1.5	1.5	1.5	1.5	3.0	3.0	
Power loss per pole (fuse only)	(W)	5.5	4.7	1.5	4.7	5.5	4.5	
Terminal capacity (Cu) minimum - Flexible	(mm ²)		6	6	6	6	6	6
Terminal capacity (Cu) maximum - Flexible	(mm ²)		25	25	25	25	25	25
Maximum torque on terminals	(Nm)		3.5	3.5	3.5	3.5	3.5	3.5
Rated operational voltage U _e	(V)		690	690	690	690	690	690
Rated insulation voltage U _{imp}	(V)		1000	1000	1000	1000	1000	1000
Rated impulse withstand voltage (2000m) U _{imp}	(kV)		8	8	8	8	8	8
Impulse test voltage at sea level	(kV)		12.3	12.3	12.3	12.3	12.3	12.3
Rated operational current I _e AC21	U _e =400V	(A)	32	32	32	50	63	63
	U _e =415V	(A)	32	32	32	50	63	63
	U _e =500V	(A)	32	32	32	50	63	63
	U _e =690V	(A)	32	32	32	50	63	63
Rated operational current I _e AC22A	U _e =400V	(A)	32	32	32	50	63	63
	U _e =415V	(A)	32	32	32	50	63	63
	U _e =500V	(A)	32	32	32	50	63	63
	U _e =690V	(A)	32	32	32	50	63	63
Rated operational current I _e AC23A	U _e =400V	(A)	32	32	32	50	63	63
	U _e =415V	(A)	32	32	32	50	63	63
	U _e =500V	(A)	32	32	32	50	63	63
	U _e =690V	(A)	32	32	32	50	63	63
Maximum rated operational power at rated duty AC23	U _e =400V	(kW)	-	-	-	-	-	-
	U _e =415V	(kW)	-	-	-	-	-	-
	U _e =500V	(kW)	-	-	-	-	-	-
	U _e =690V	(kW)	-	-	-	-	-	-
Rated making and breaking capacity at 500V AC23A	making	(A)	320	320	320	500	500	500
	breaking	(A)	256	256	256	400	400	400
Rated conditional short-circuit current with back-up protection featuring the same current rating as the switch (kA rms)	400V	(kA)	50	50	-	50	50	50
	415V	(kA)	50	50	-	50	50	-
	500V	(kA)	No fuse	No fuse	50	No fuse	No fuse	50
	690V	(kA)	No fuse	No fuse	50	No fuse	No fuse	50
Rated capacity power at 400V	(kVAR)		-	-	-	-	-	
Rated operational current DC23A	2P in series 110V	(A)	-	-	-	-	-	-
	2P in series 220V	(A)	-	-	-	-	-	-
	4P in series 220V	(A)	-	-	-	-	-	-
Operating torque	(Nm)		3.5	3.5	3.5	3.5	3.5	3.5
Force	(N)		-	-	-	-	-	-
Durability (number of operational cycles)	electrical		3000	3000	3000	3000	3000	3000
	mechanical (min)		10000	10000	10000	10000	10000	10000
Weight	3P	(kg)	0.670	0.693	0.840	0.720	0.670	0.840
	4P	(kg)	0.820	0.840	0.995	0.870	0.820	0.995

Technical data

A

B

C

D

E

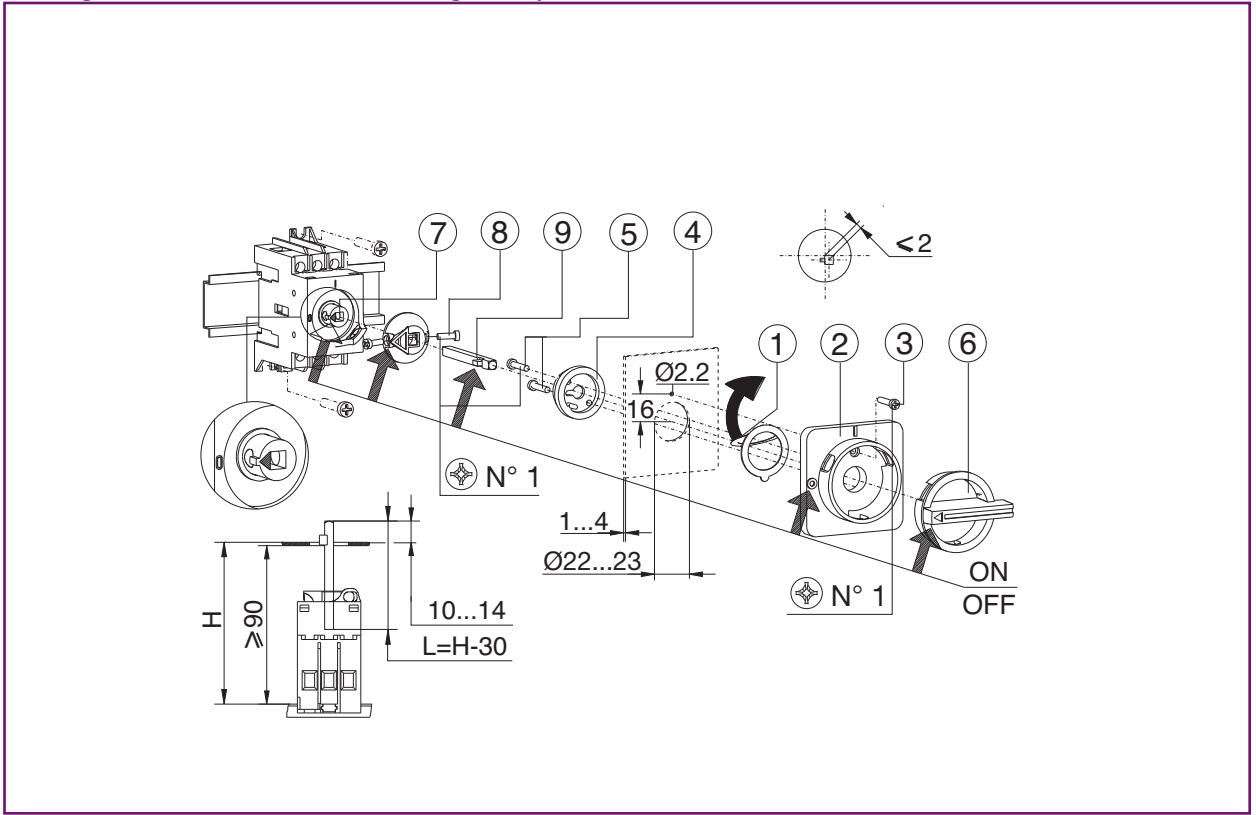
X



			Benefits	A
			Order codes	B
			Technical data	C
		Installation facilities		D
D.2	Dilos 00 for DIN-rail mounting		Dimensions	E
D.3	Dilos 00 for door mounting			
D.4	Fulos Plus		Numerical Index	X
D.5	Dilos 0 - Dilos 1 - Dilos 2			
D.6	Dilos 2 - Dilos 3 - Dilos 4 / Fulos 00 - Fulos 1 - Fulos 2			

Dilos 00 for DIN-rail mounting

Rotary handle for door mounting and padlockable - IP65



Installation facilities

A

B

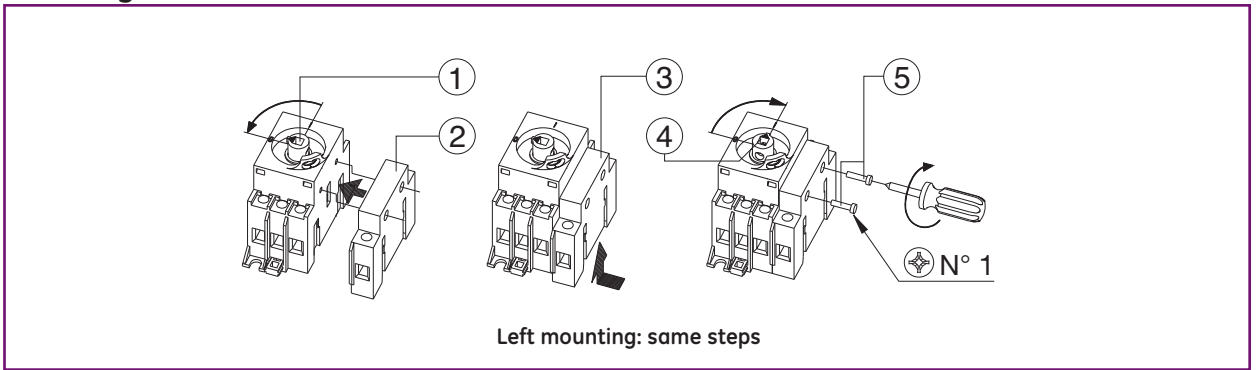
C

D

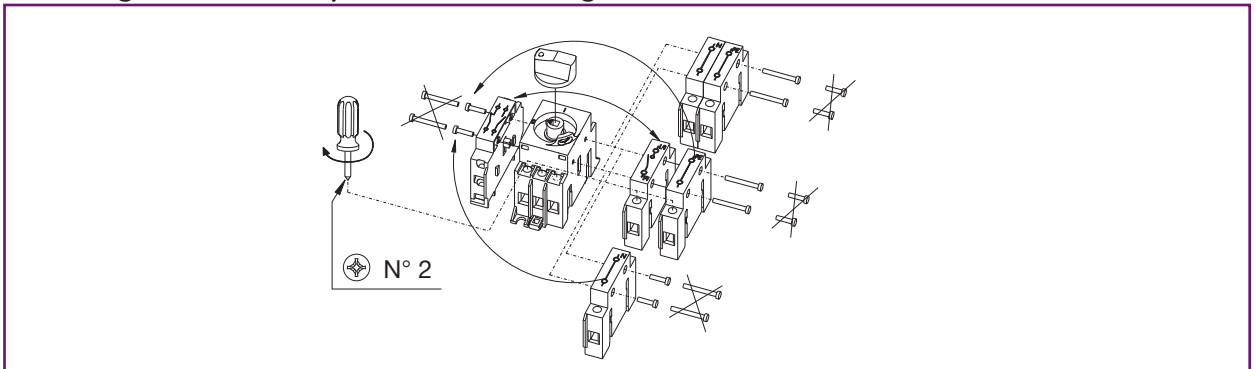
E

X

Mounting of modules on the side of the switch

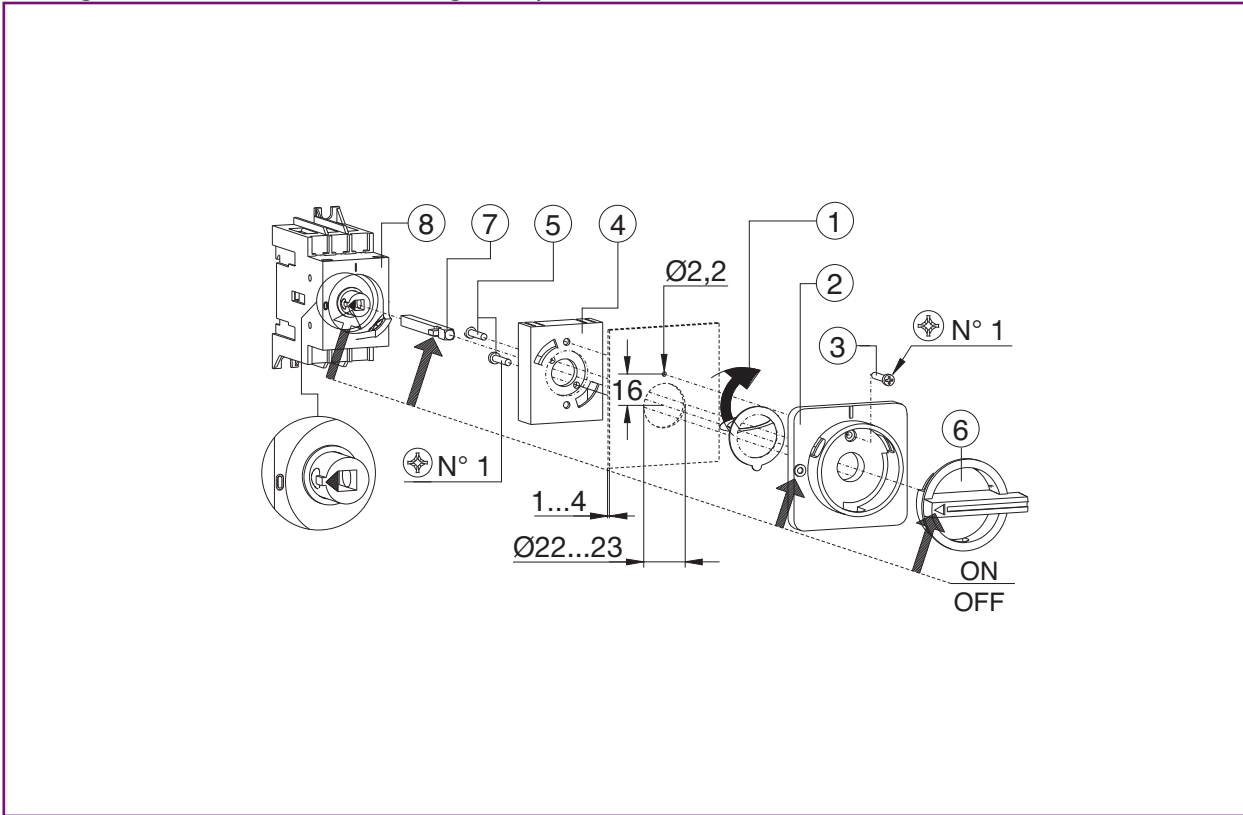


Mounting of additional poles and auxiliary contacts

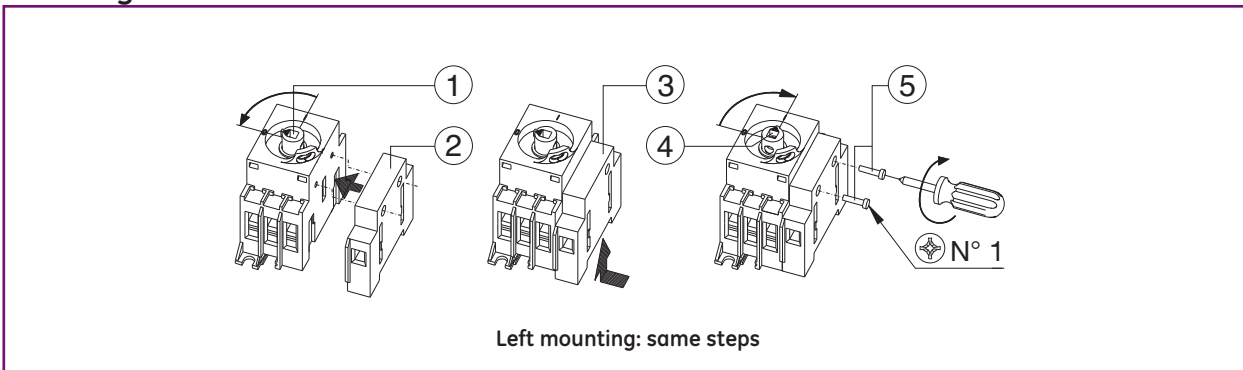


Dilos 00 for door mounting

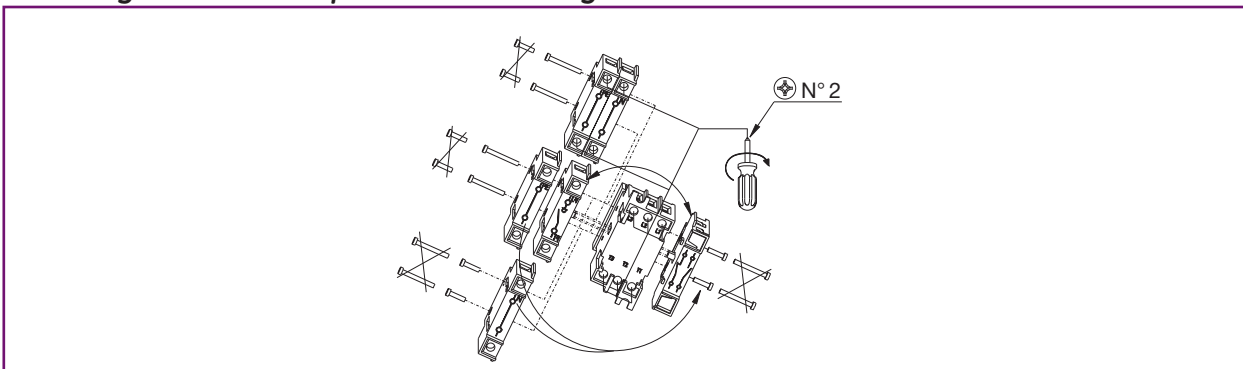
Rotary handle for door mounting and padlockable



Mounting of modules on the side of the switch



Mounting of additional poles and auxiliary contacts



Dilos 00

A

B

C

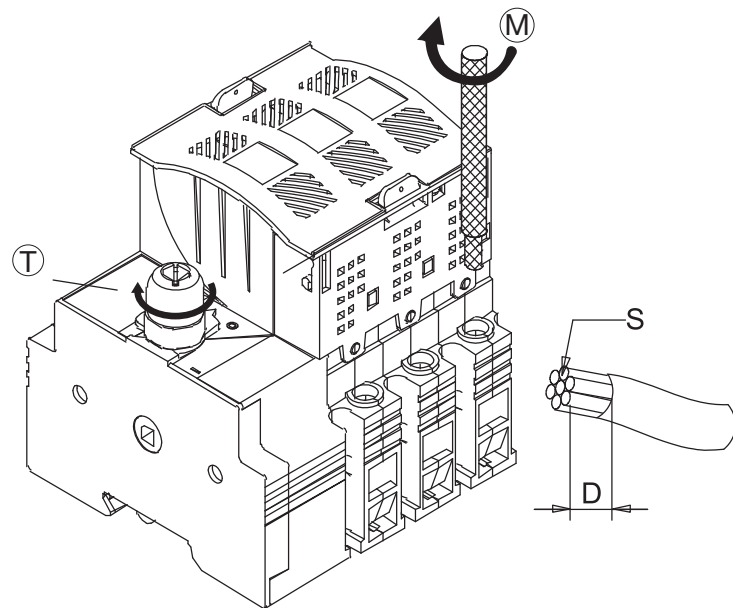
D

E

X

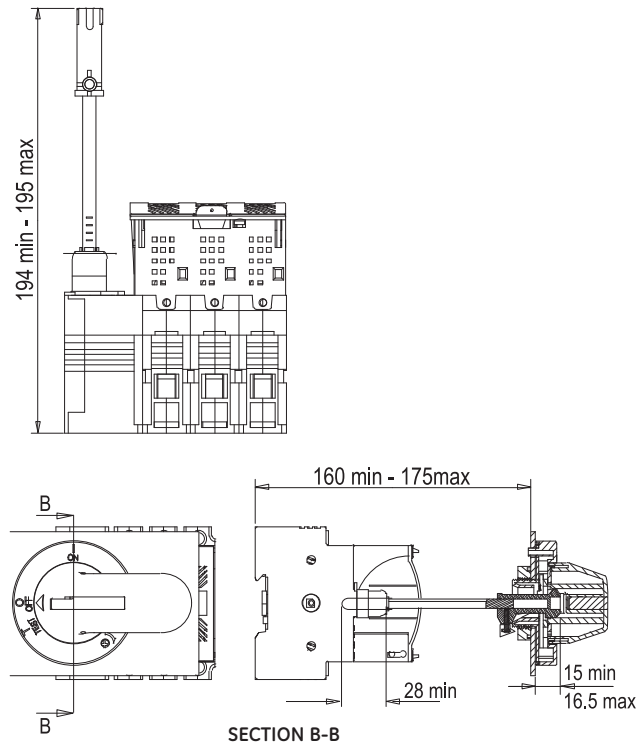
Installation facilities

Fulos Plus - Connection details



	Min.	Max.
M	2 Nm	3.5 Nm
S	6 mm ² (Cu only)	25 mm ² (Cu only)
D	9.5 mm	11.2 mm
T	1 Nm	1.3 Nm

Fulos Plus - Handle dimensions



194 min - 195 max

160 min - 175 max

28 min

15 min / 16.5 max

SECTION B-B

Installation facilities

A

B

C

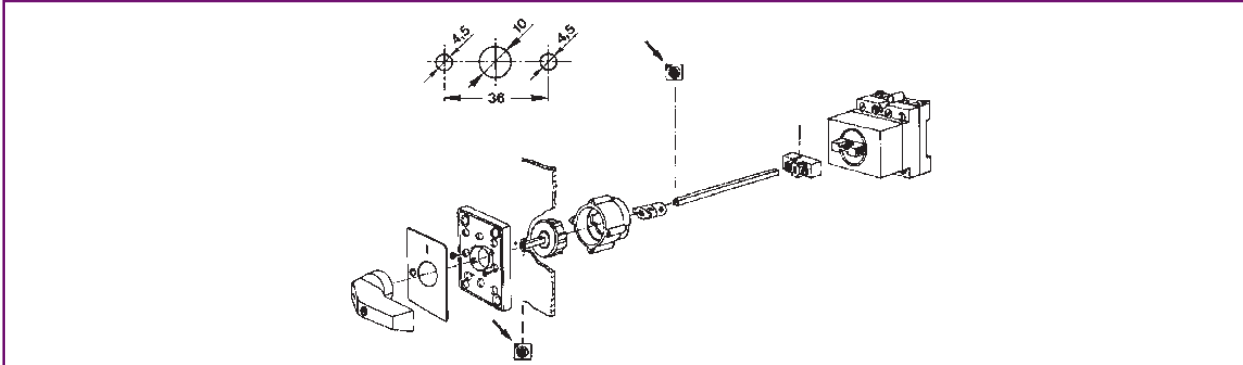
D

E

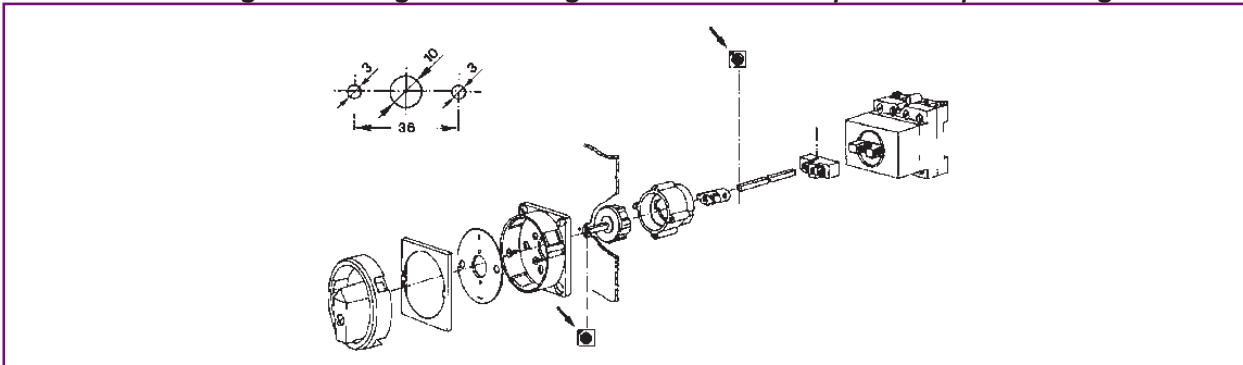
X

Installation facilities

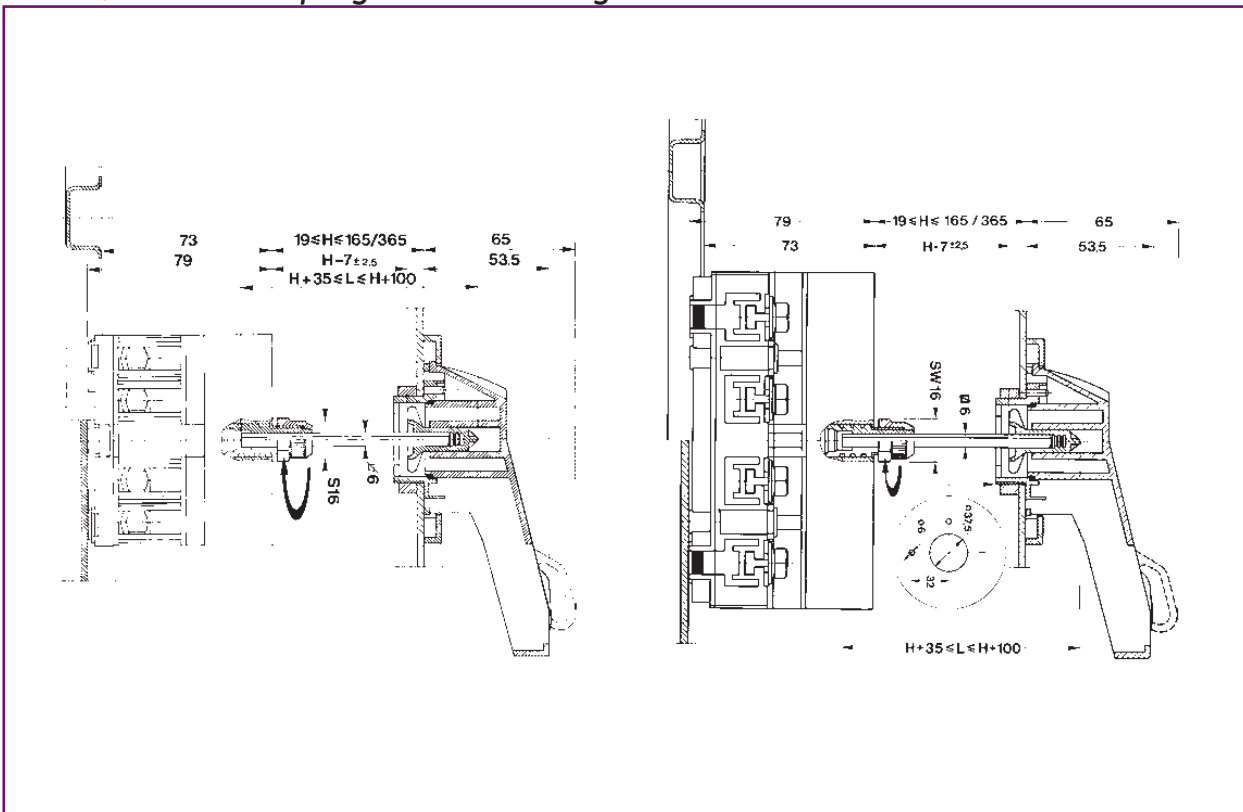
Dilos 0 - Mounting of a standard rotary handle with frontplate



Dilos 0 - Mounting of a red/yellow rotary handle with frontplate for padlocking



Dilos 1 / Dilos 2 - Coupling for cover or hinged door with extension shaft - IP65



Dilos

A

B

C

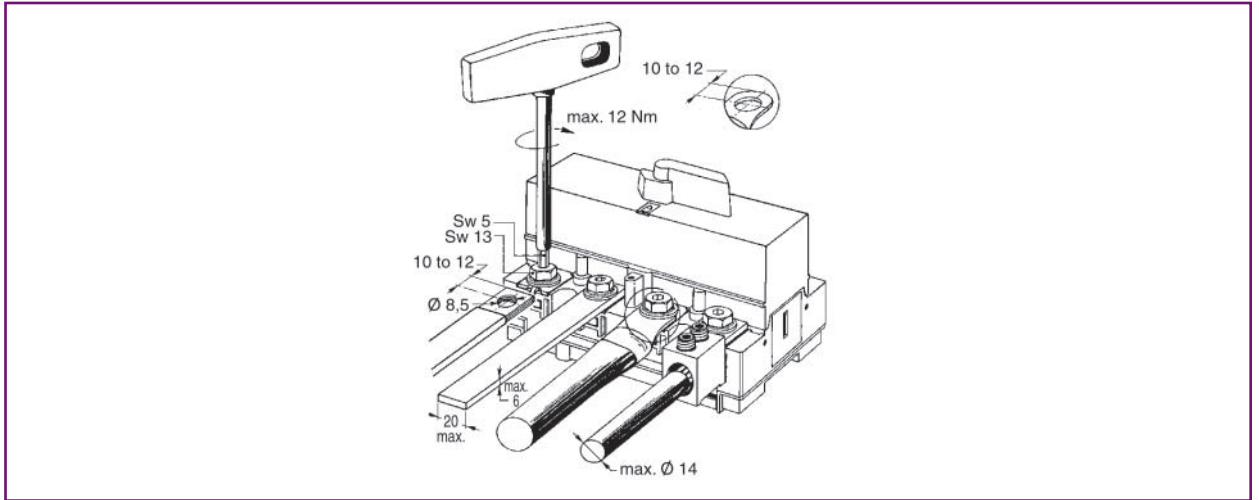
D

E

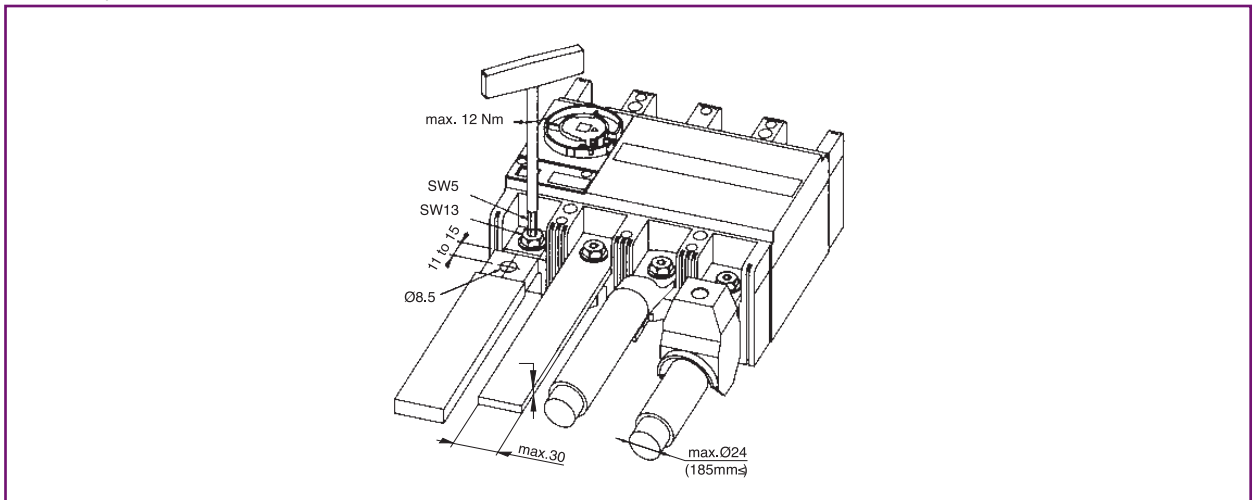
X

Connection possibilities

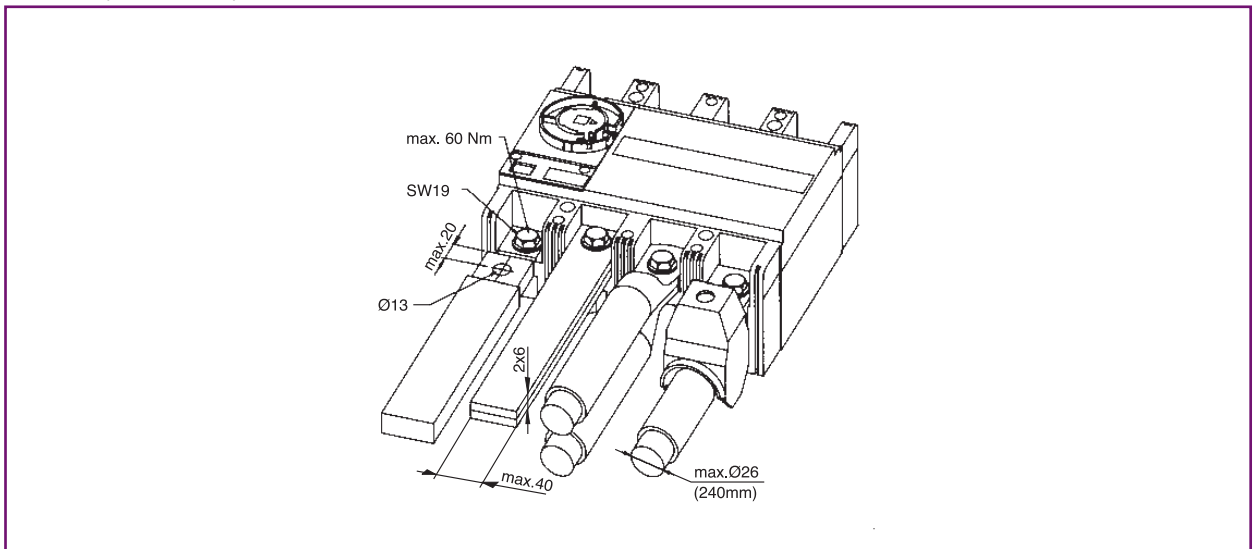
Dilos 2



Dilos 3 / Fulos 00



Dilos 4 / Fulos 1 / Fulos 2



- E.2 Fulos Plus
 - E.3 Dilos 00 - Dilos 0 - Dilos 1
 - E.4 Elos - Dilos 2 - Dilos 1H - Fulos 000
 - E.5 Dilos 3 - Dilos 4 - Fulos 00 - Fulos 1 - Fulos 2
 - E.6 Dilos 6S
 - E.7 Dilos 7S - Dilos 8S
 - E.8 Dilos 8S - Dilos 9S
 - E.9 Dilos 9 - Fulos 3S
 - E.10 Fulos 3S - Fulos 4
 - E.11 Dilos 6S BA - Dilos 7S BA
 - E.12 Dilos 8S BA - Fulos 3S BA
 - E.13 Fulos 3S BA - Dilos 6S MO
 - E.14 Dilos 7S MO - Dilos 8S MO
 - E.15 Dilos 8S MO - Dilos 9S MO
 - E.16 Fulos 3S MO
 - E.17 CO-Dilos 6S MO - CO-Dilos 7S MO
 - E.18 CO-Dilos 8S MO
 - E.19 CO-Dilos 6S - CO-Dilos 7S
 - E.20 CO-Dilos 8S
-
- E.21 6P Dilos 6S
 - E.22 Changeover system - 6/8P system - Dilos 1H / Fulos 000
 - E.23 Changeover system - Dilos 3 / Fulos 00
 - E.24 6/8P system - Dilos 3 / Fulos 00
 - E.25 Changeover system - Dilos 4 / Fulos 1/2
 - E.26 Rear terminals - Dilos 3/4 - Fulos 00/1/2
 - E.26 Terminal covers - Dilos 3/4 - Fulos 00/1/2
 - E.27 Direct handles for Dilos 1H/3/4 - Fulos 000/00/1/2
 - E.28 Handles for cover or hinged door - Dilos 1H/3 - Fulos 000/00
 - E.28 Direct handles for Dilos 4 - Fulos 1/2
 - E.29 Handles for inner door - Dilos 1H/3/4 - Fulos 000/00/1/2

Benefits

Order codes

Technical data

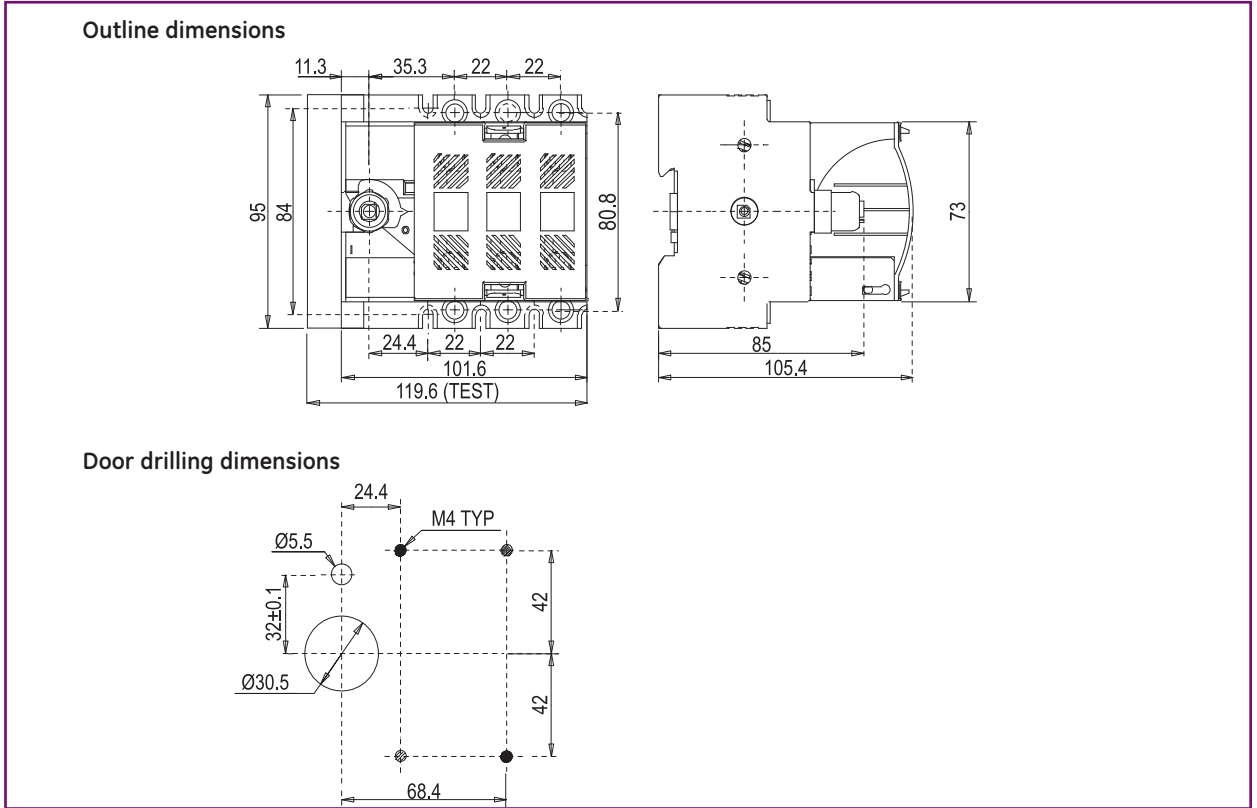
Installation facilities

Dimensions

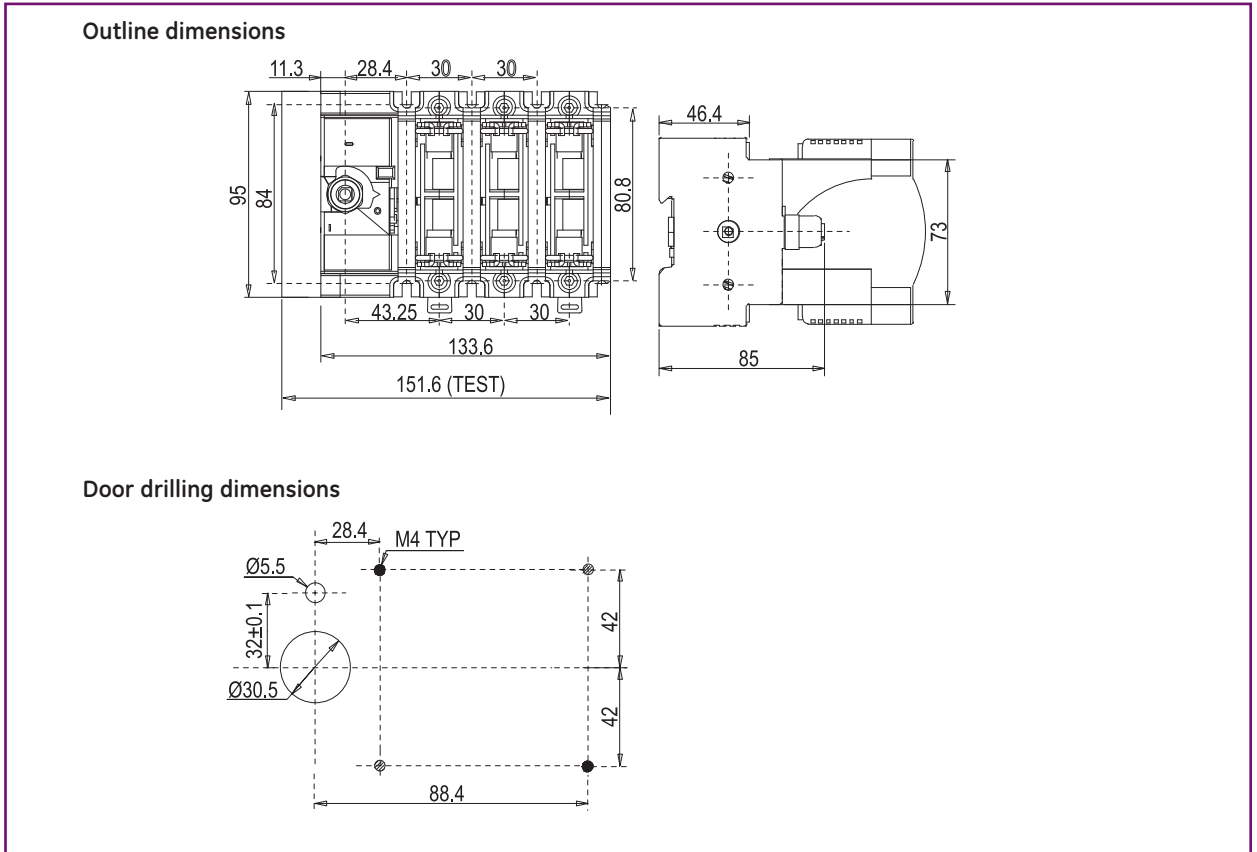
A
B
C
D
E
X

Dimensions

Fulos Plus - BS / NF dimensions



Fulos Plus - DIN dimensions



Dimensions

A

B

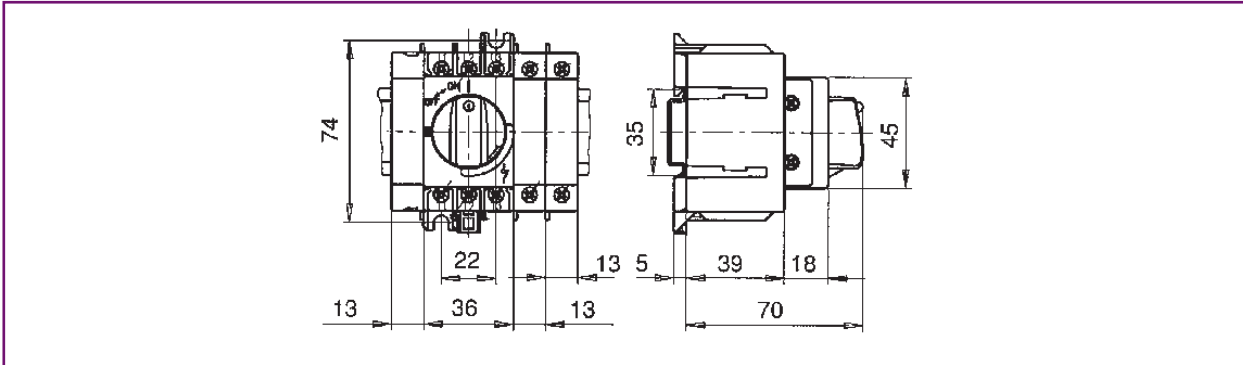
C

D

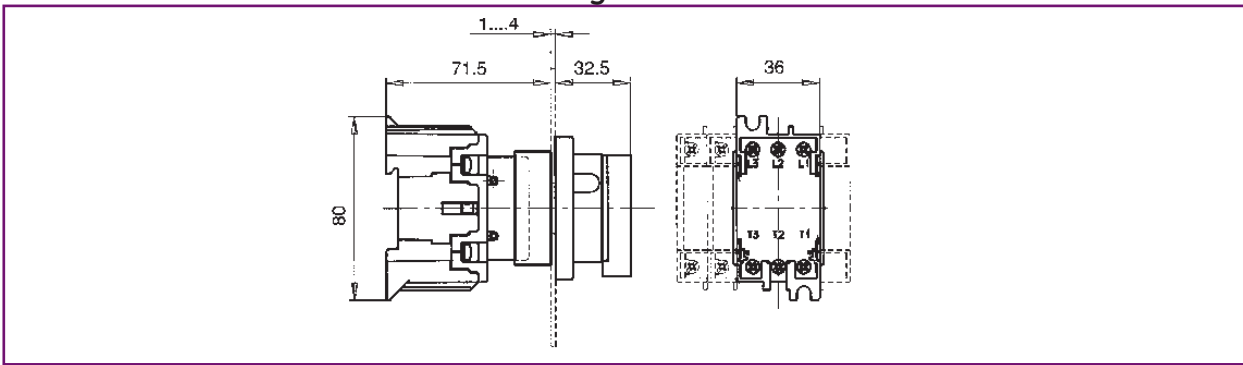
E

X

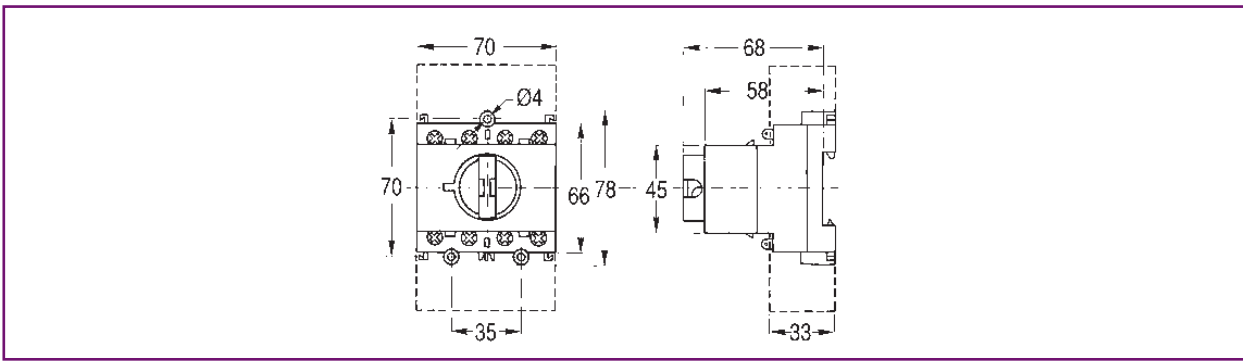
Dilos 00 - DIN-rail disconnectors



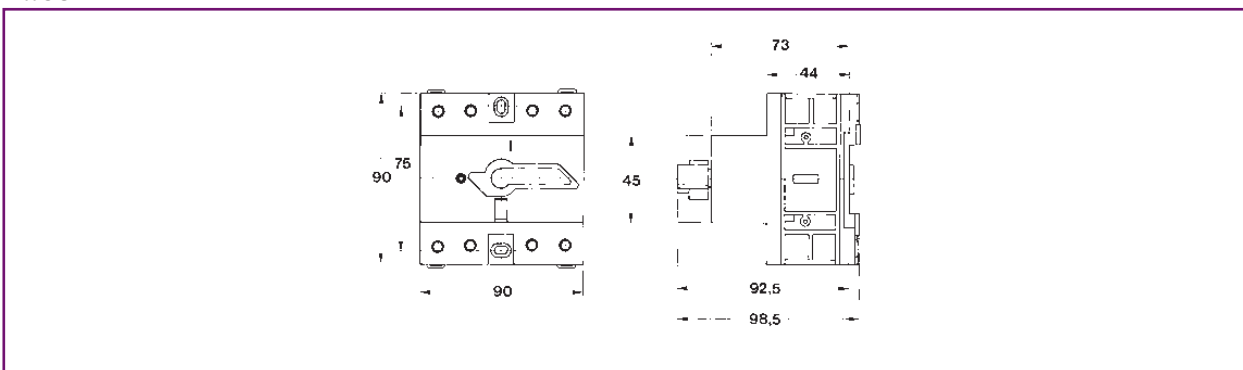
Dilos 00 - Disconnectors for door mounting



Dilos 0



Dilos 1



Dilos

A

B

C

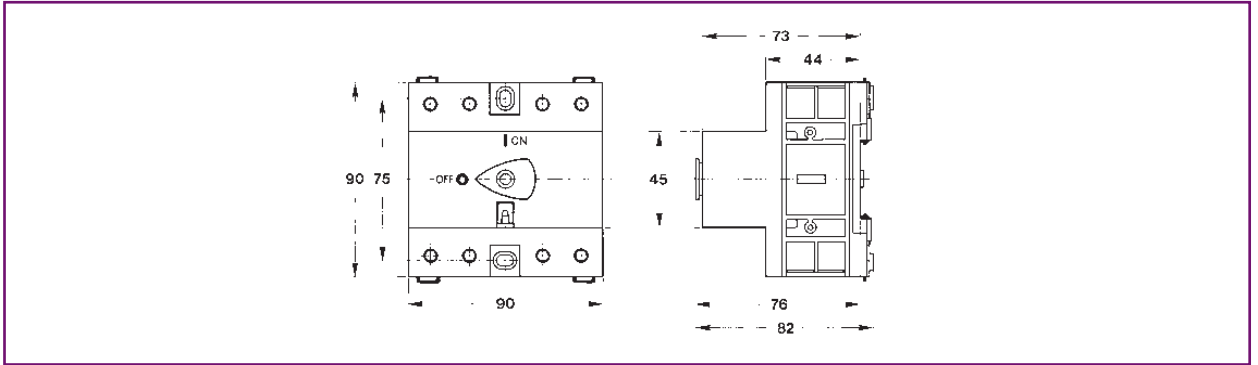
D

E

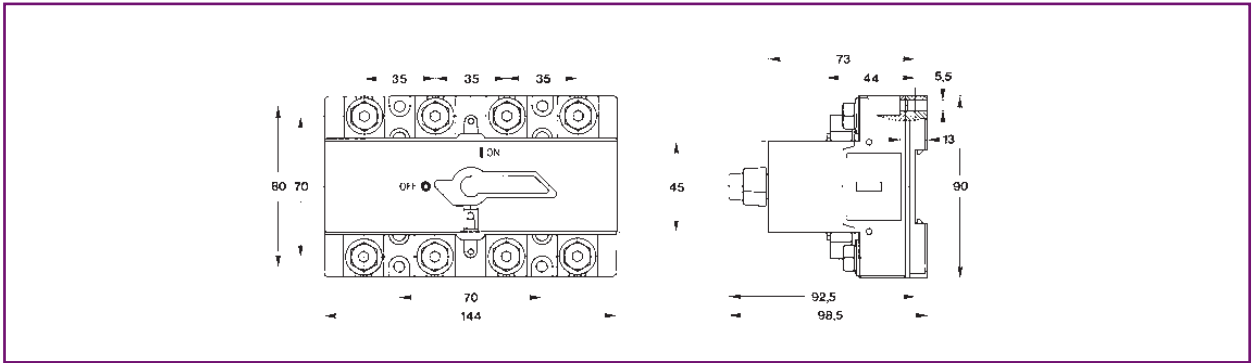
X

Dimensions

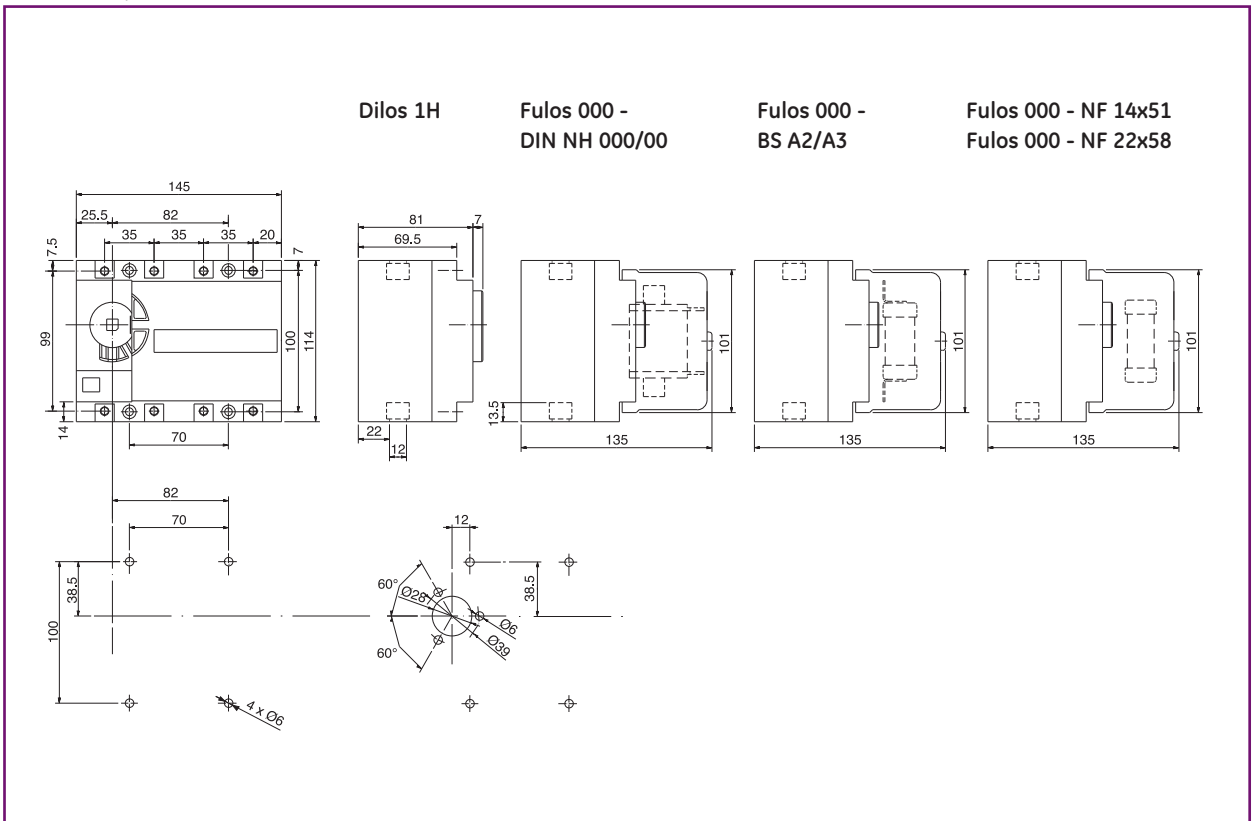
Elos



Dilos 2



Dilos 1H / Fulos 000



Dimensions

A

B

C

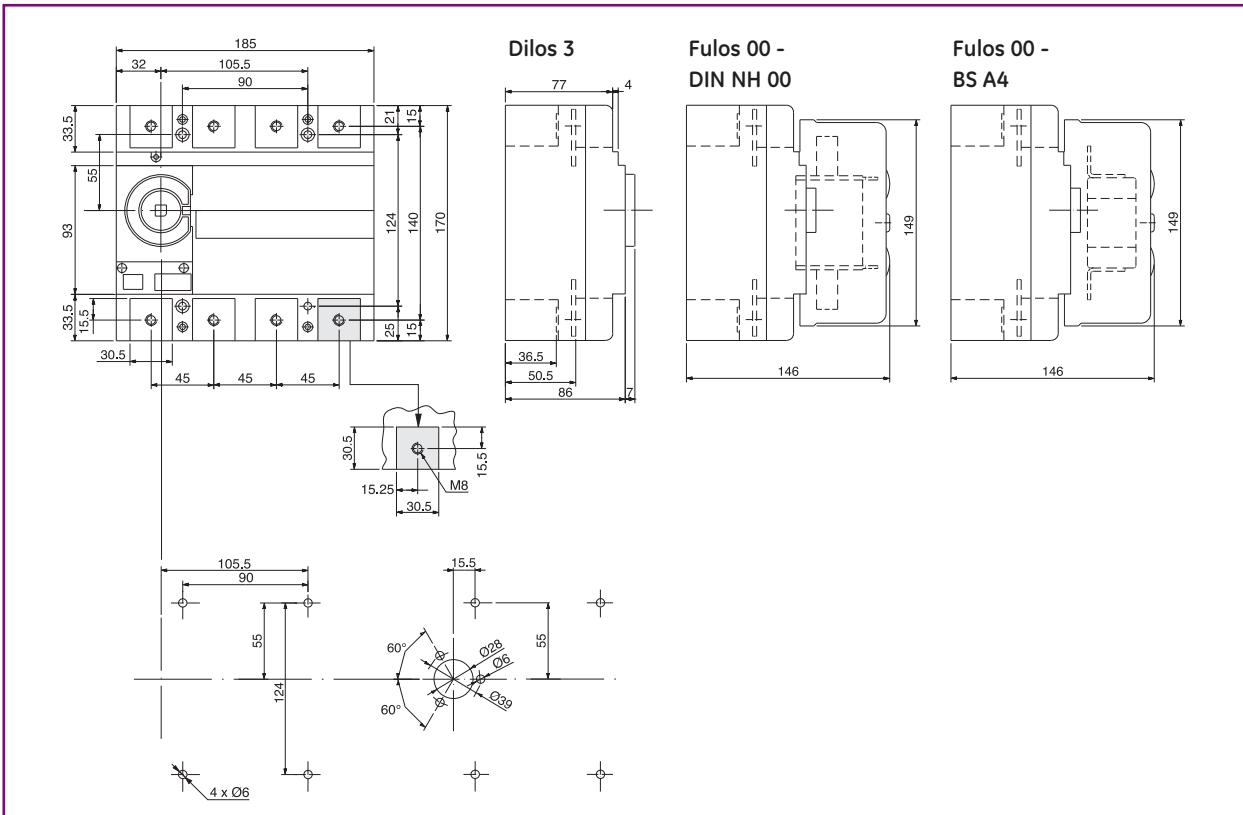
D

E

X



Dilos 3 / Fulos 00



Dilos/Fulos

A

B

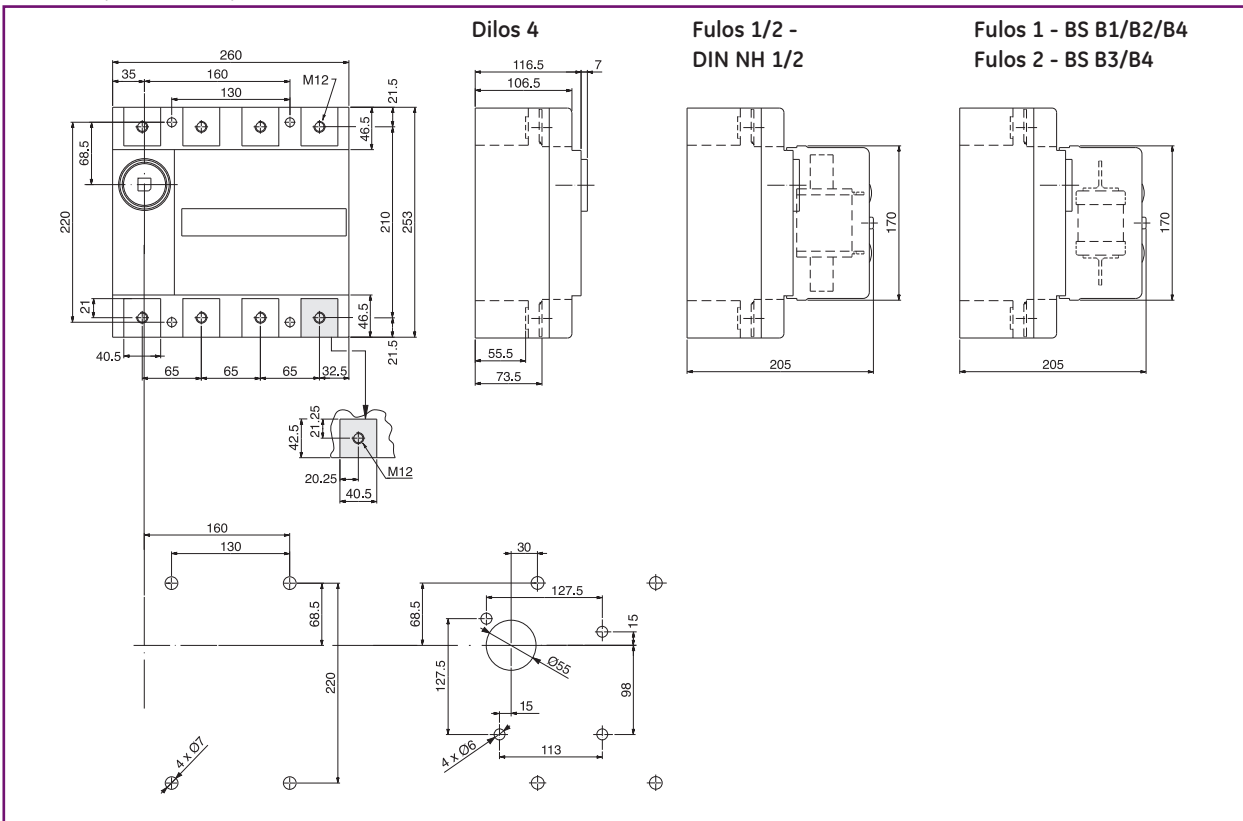
C

D

E

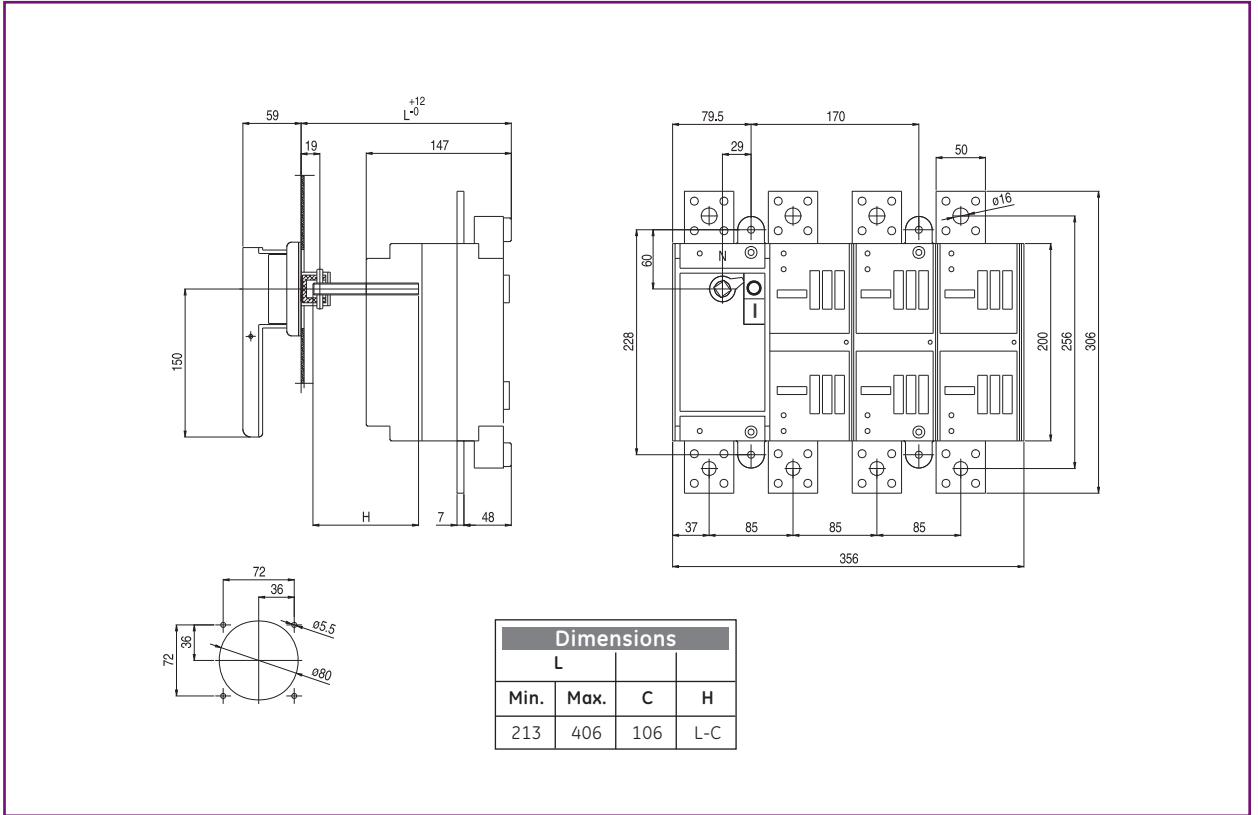
X

Dilos 4 / Fulos 1 / Fulos 2

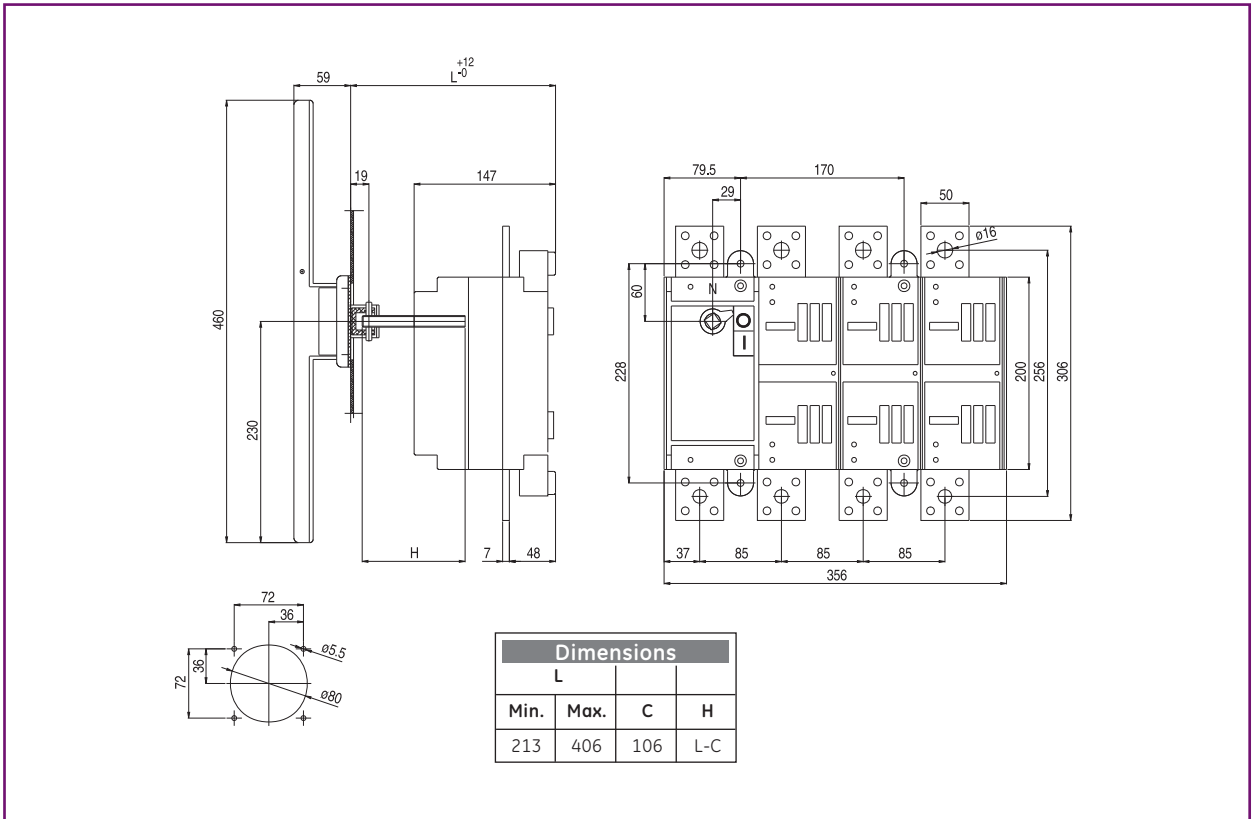


Dimensions

Dilos 6S - 35kA



Dilos 6S - 50kA



Dimensions

A

B

C

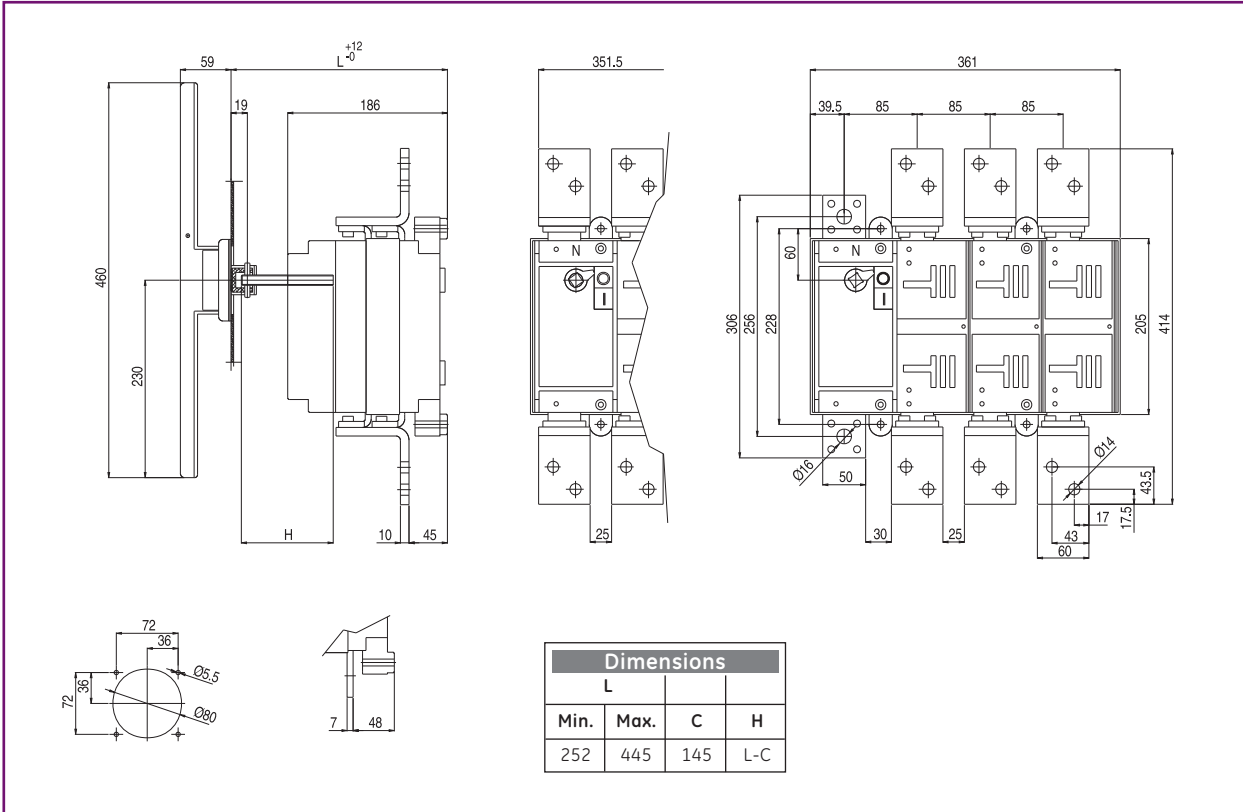
D

E

X



Dilos 7S



Dilos

A

B

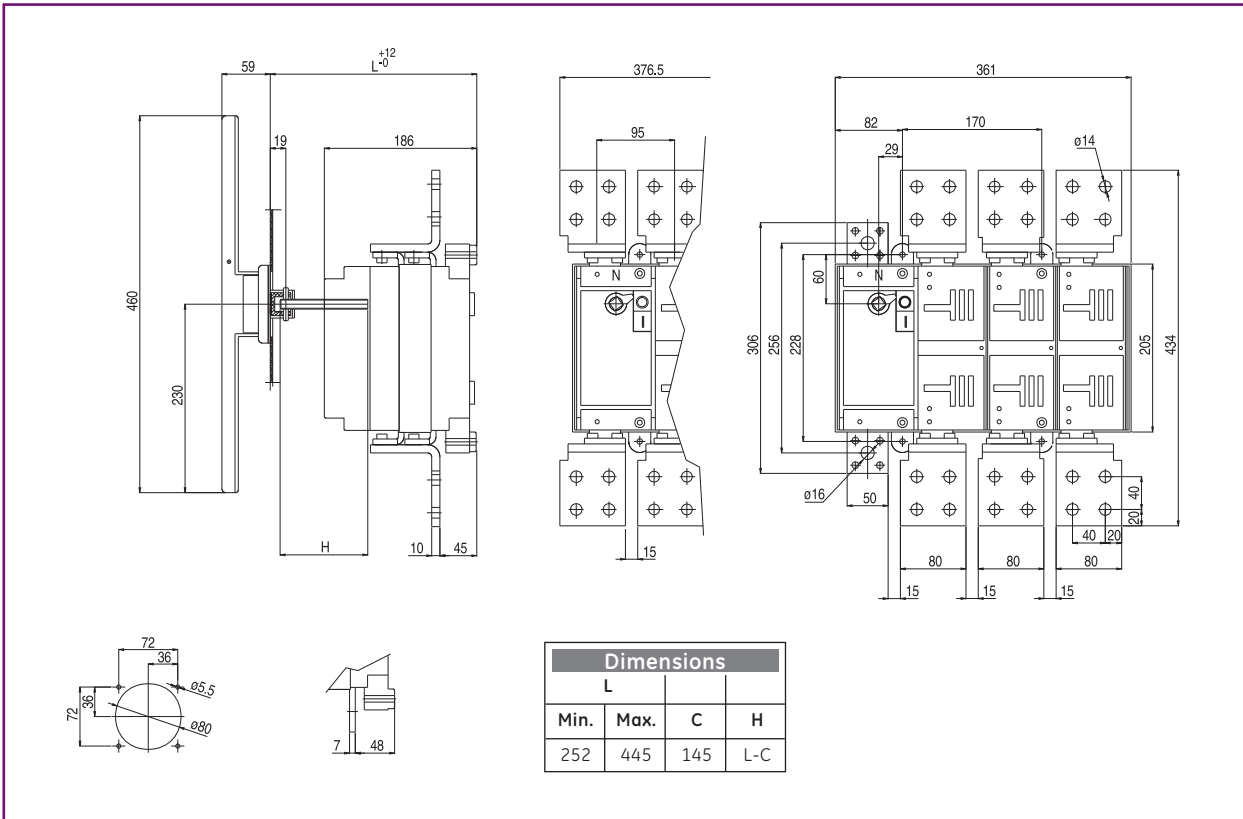
C

D

E

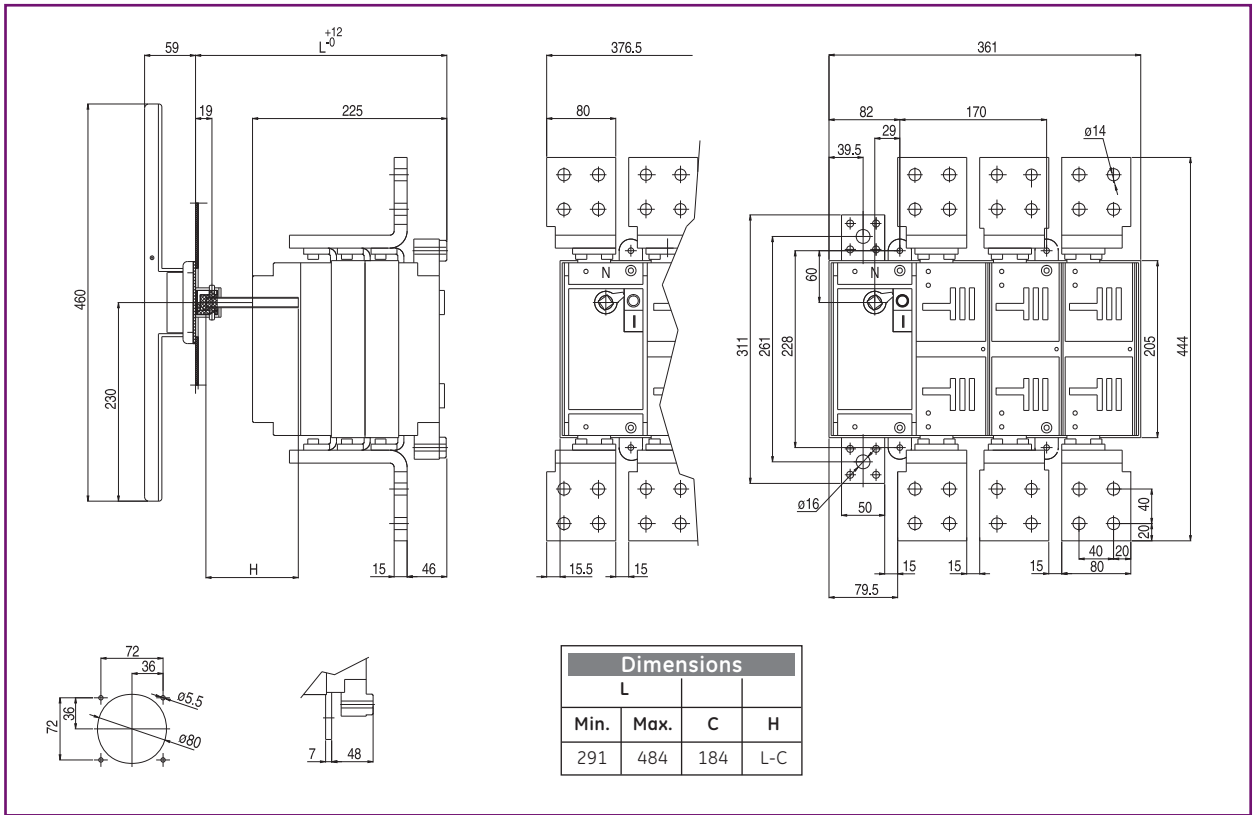
X

Dilos 8S - 2000A

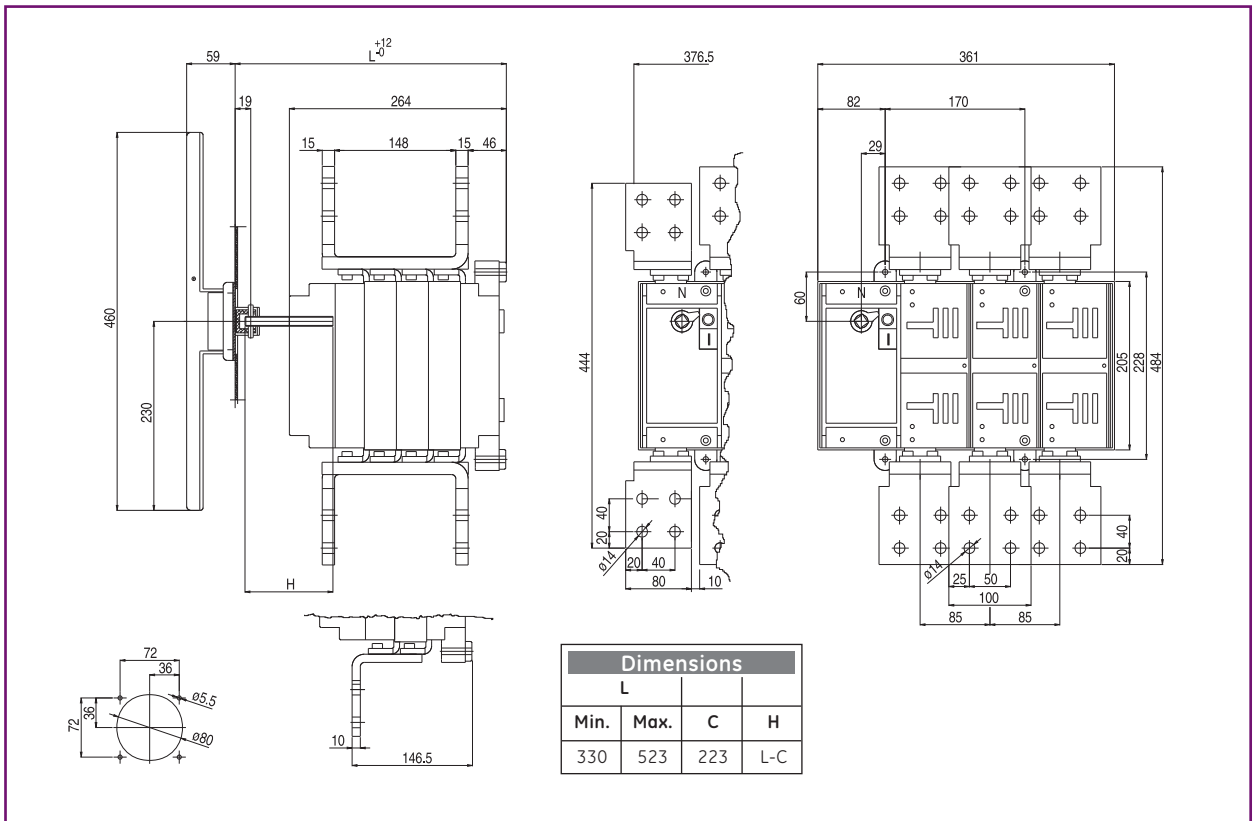


Dimensions

Dilos 8S - 2500A



Dilos 9S



Dimensions

A

B

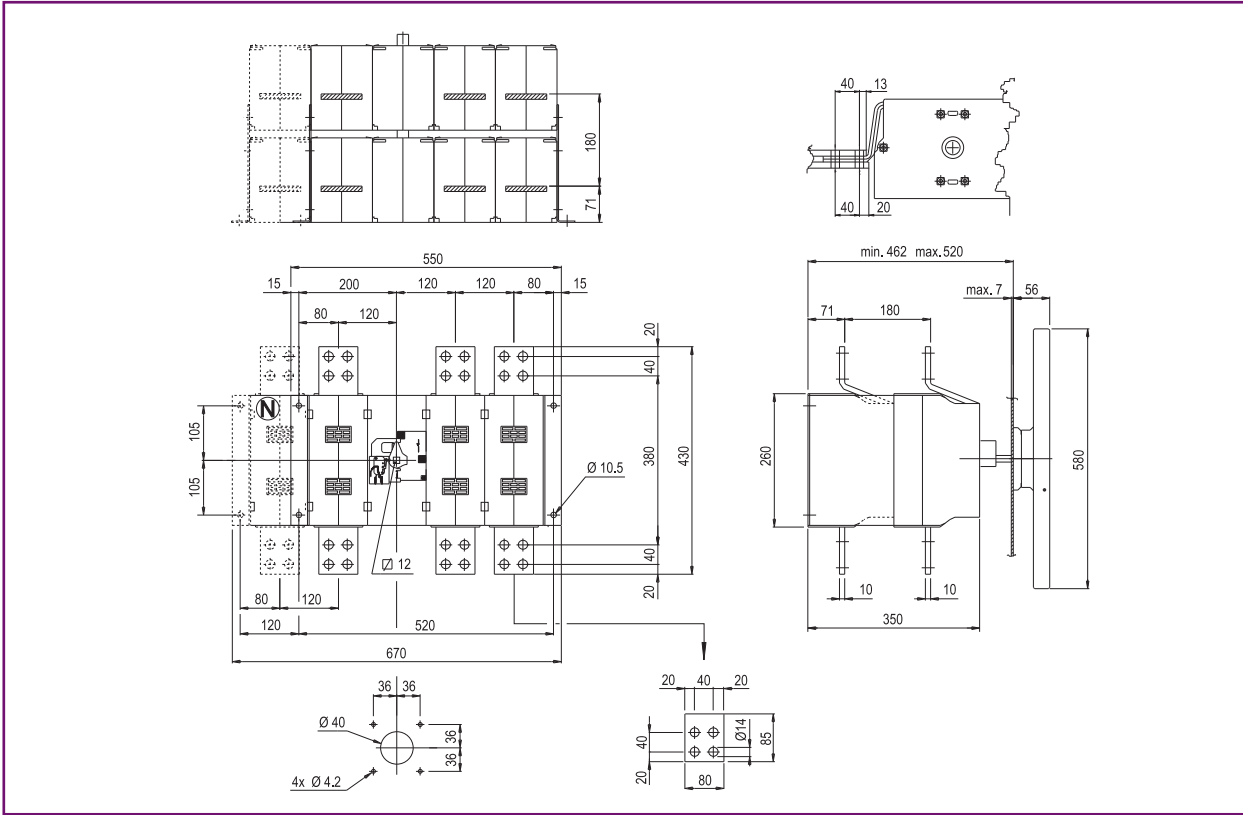
C

D

E

X

Dilos 9



Dilos/Fulos

A

B

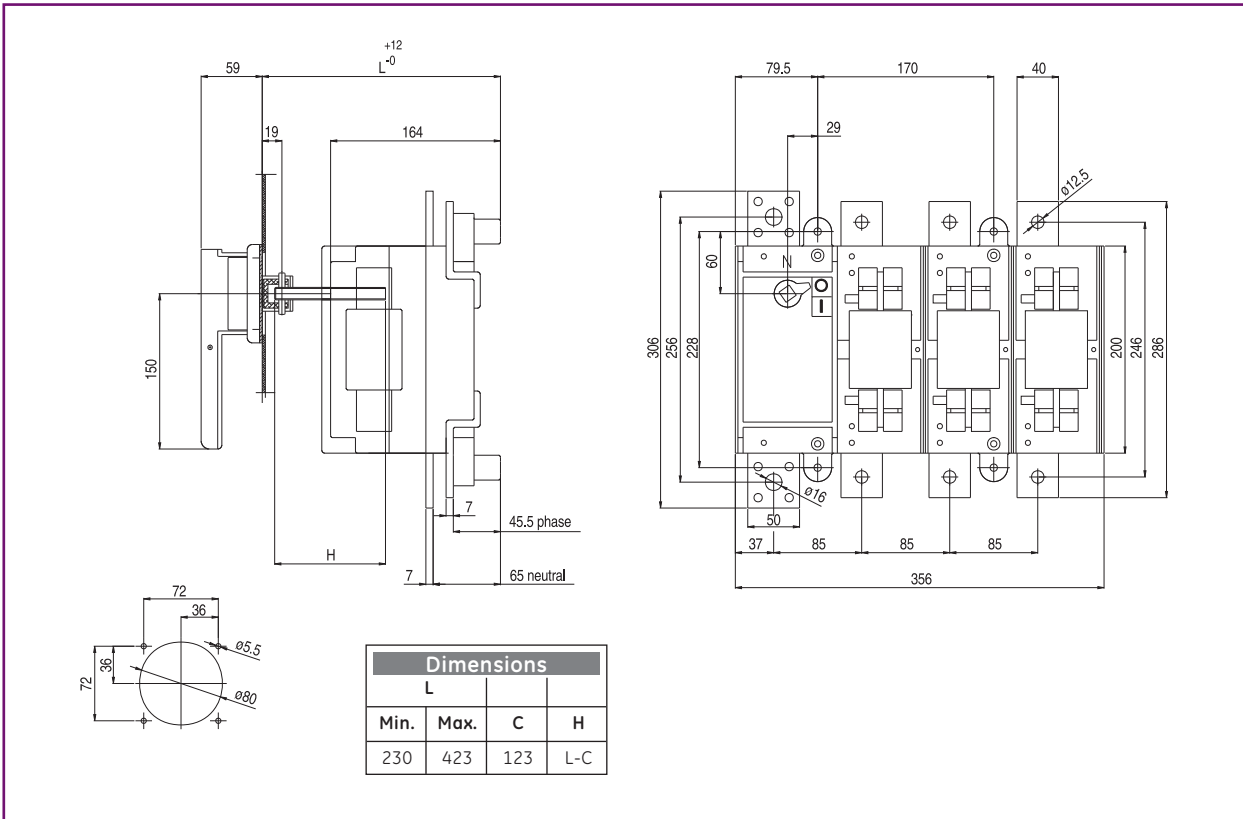
C

D

E

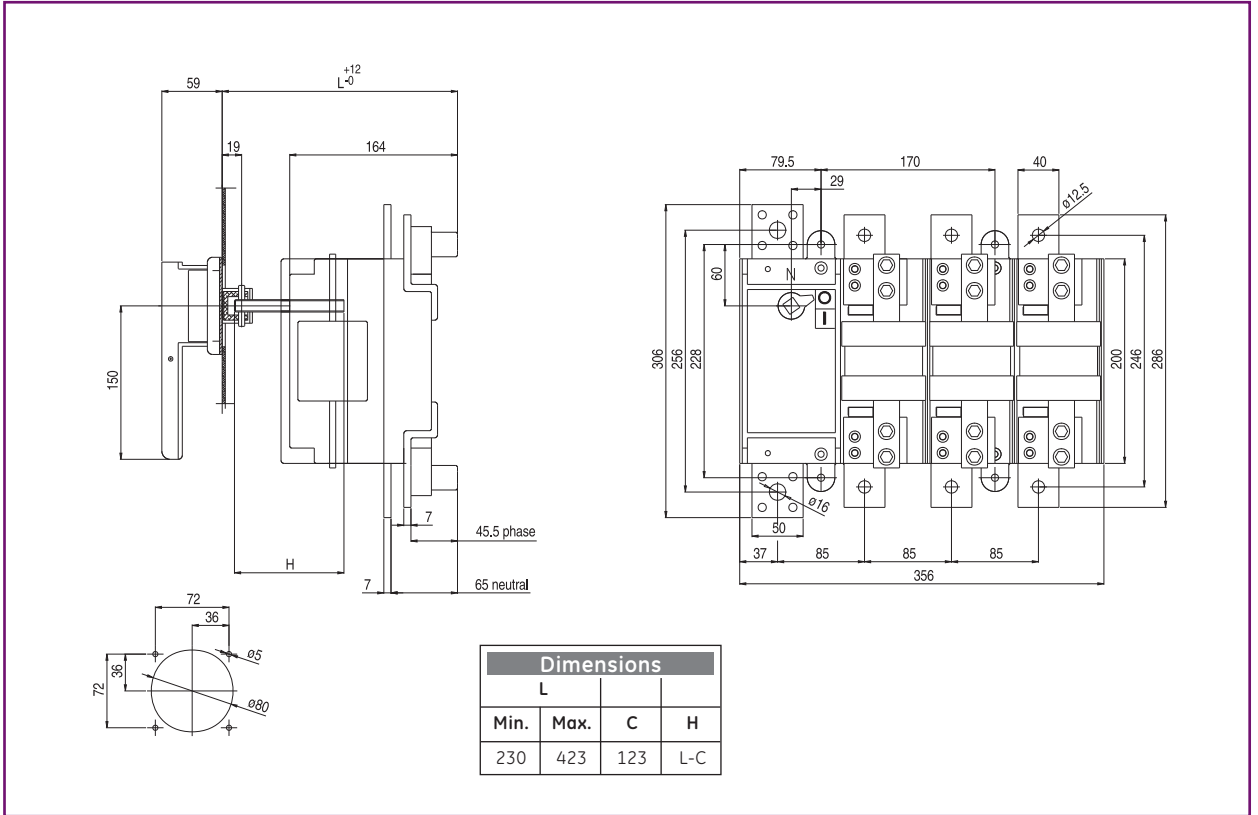
X

Fulos 3S - DIN NH 3

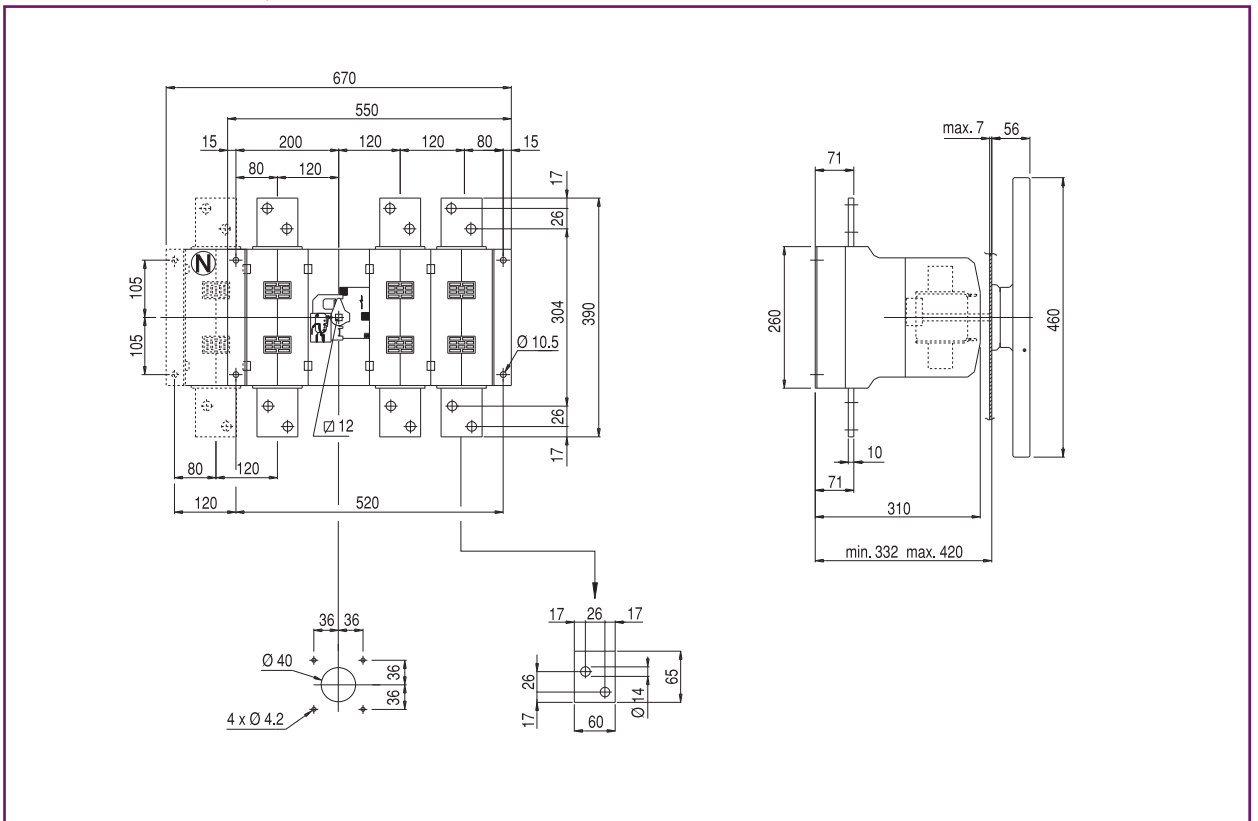


Dimensions

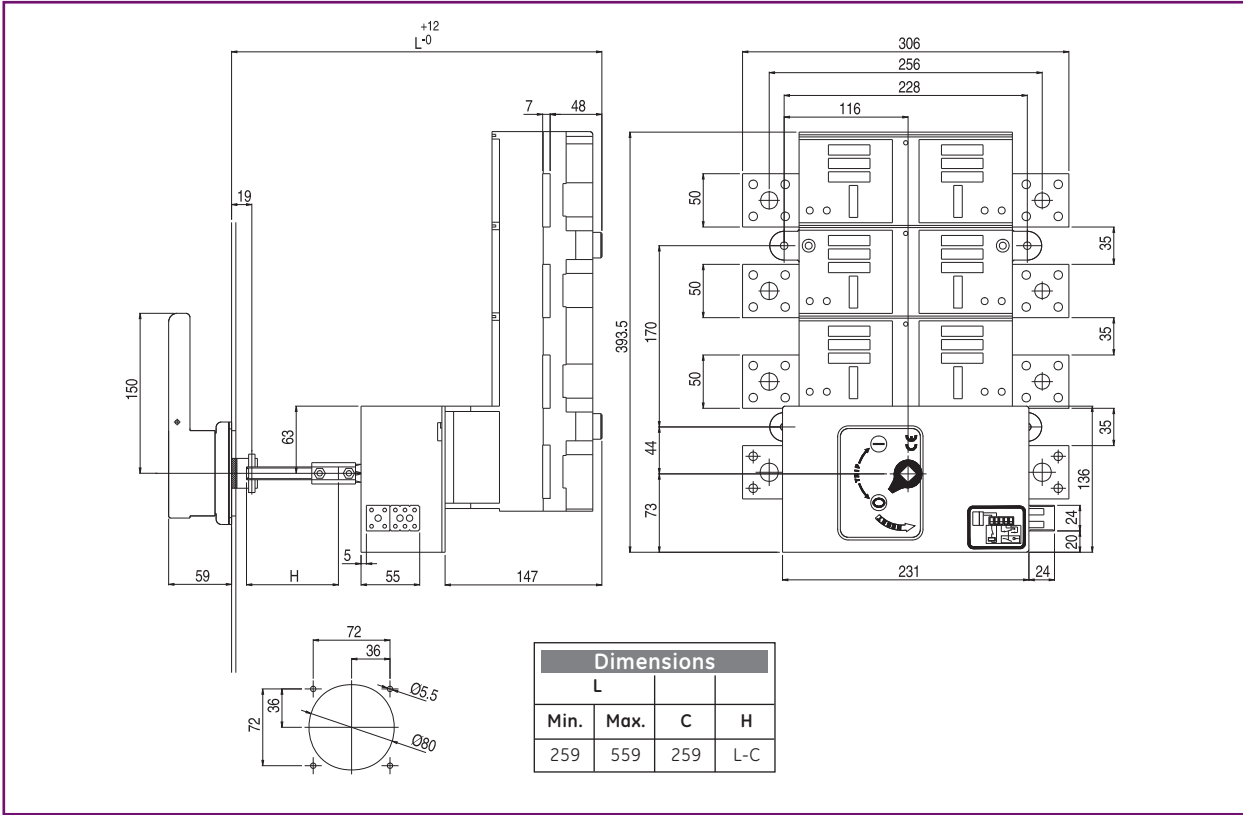
Fulos 3S - BS



Fulos 4 - DIN NH 4 / Fulos 4 - BS D1



Dilos 6S BA



Dilos/Fulos

A

B

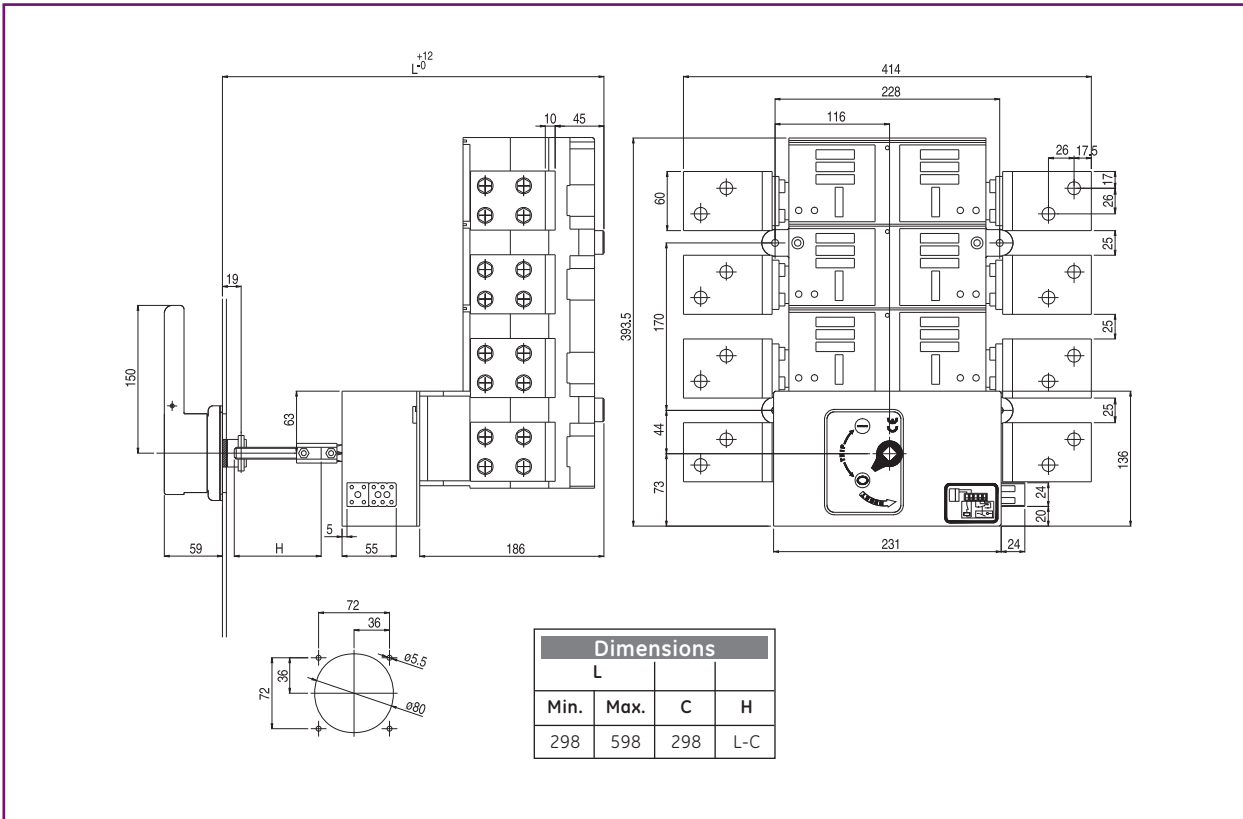
C

D

E

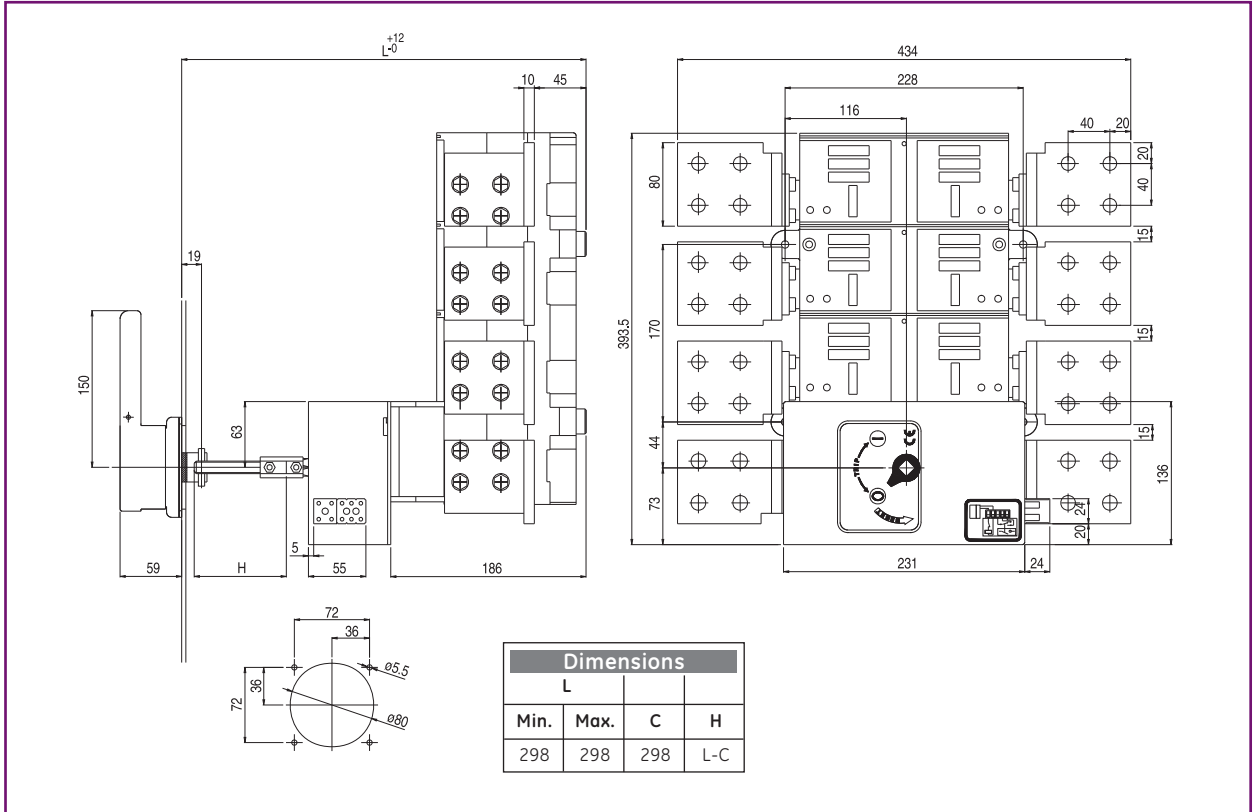
X

Dilos 7S BA

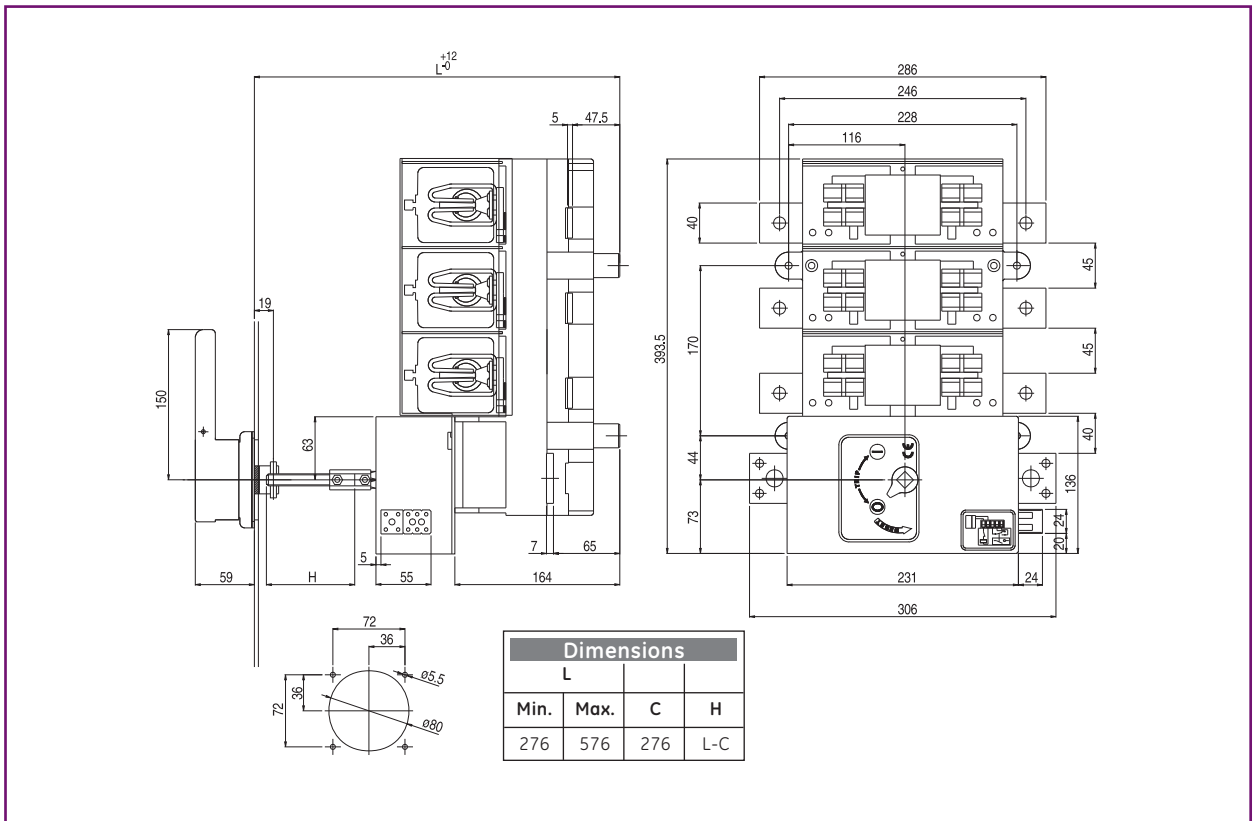


Dimensions

Dilos 8S BA



Fulos 3S BA - DIN NH3



Dimensions

A

B

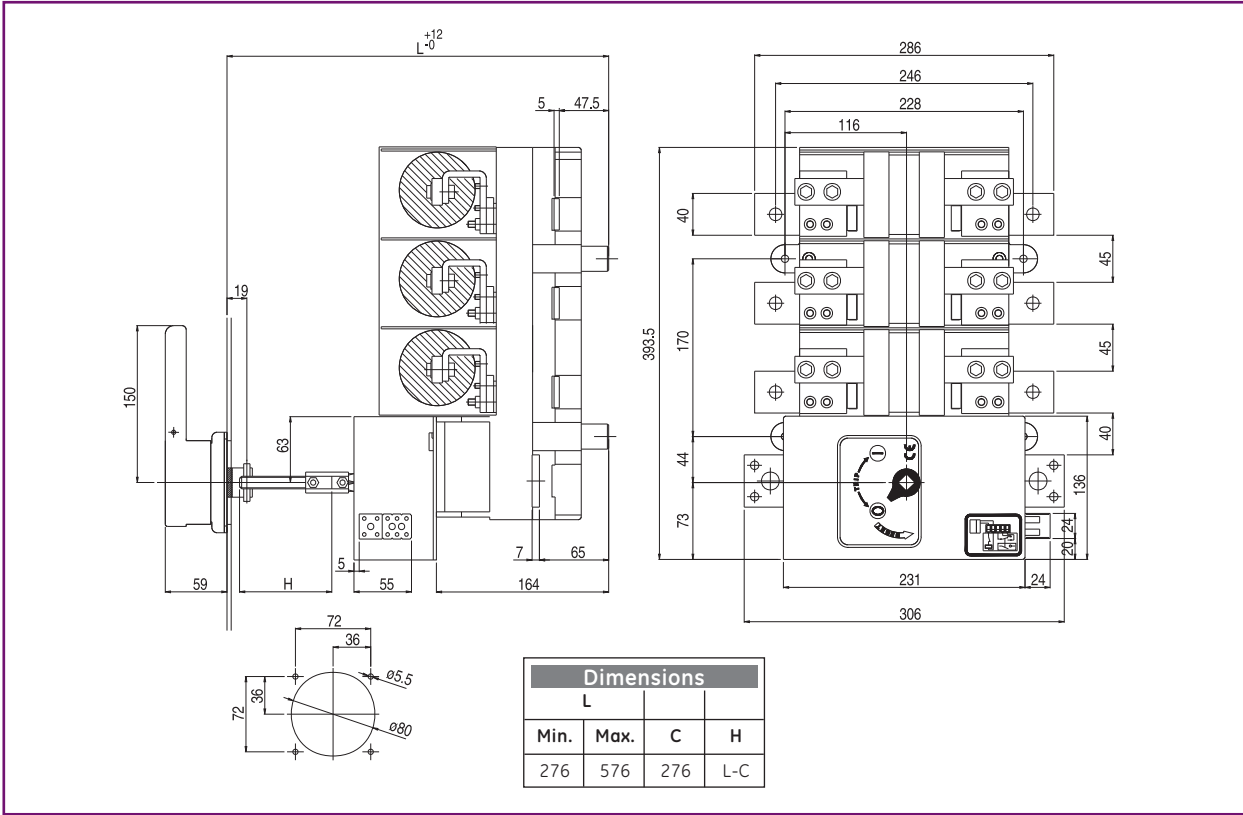
C

D

E

X

Fulos 3S BA - BS C1/C2/C3



Dilos/Fulos

A

B

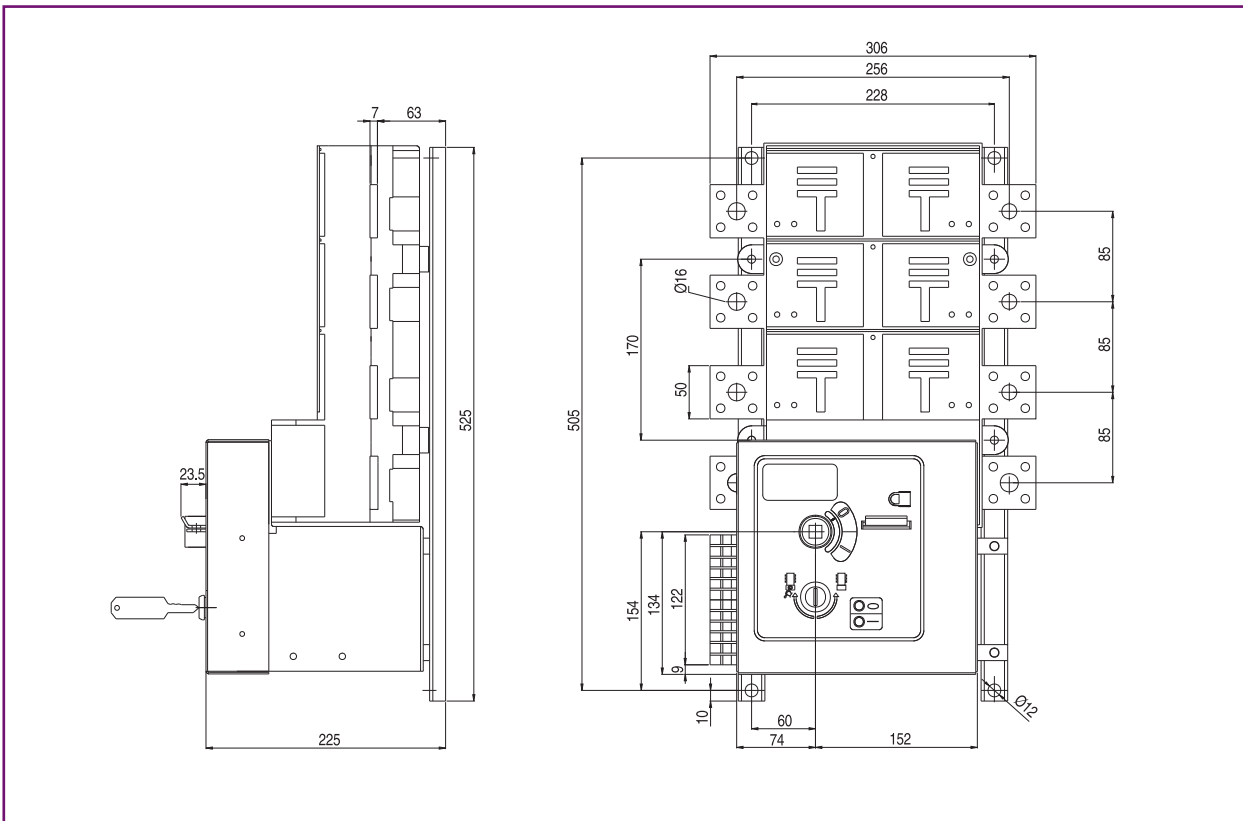
C

D

E

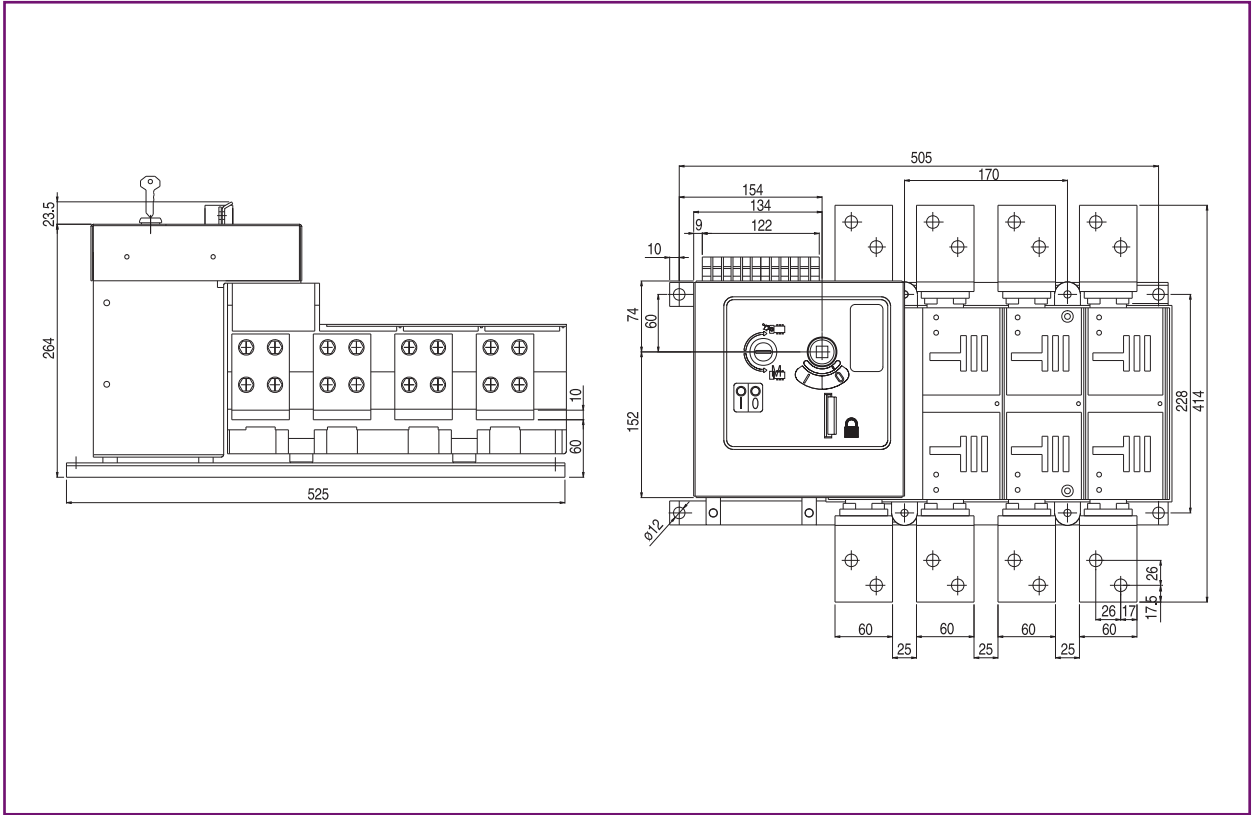
X

Dilos 6S MO

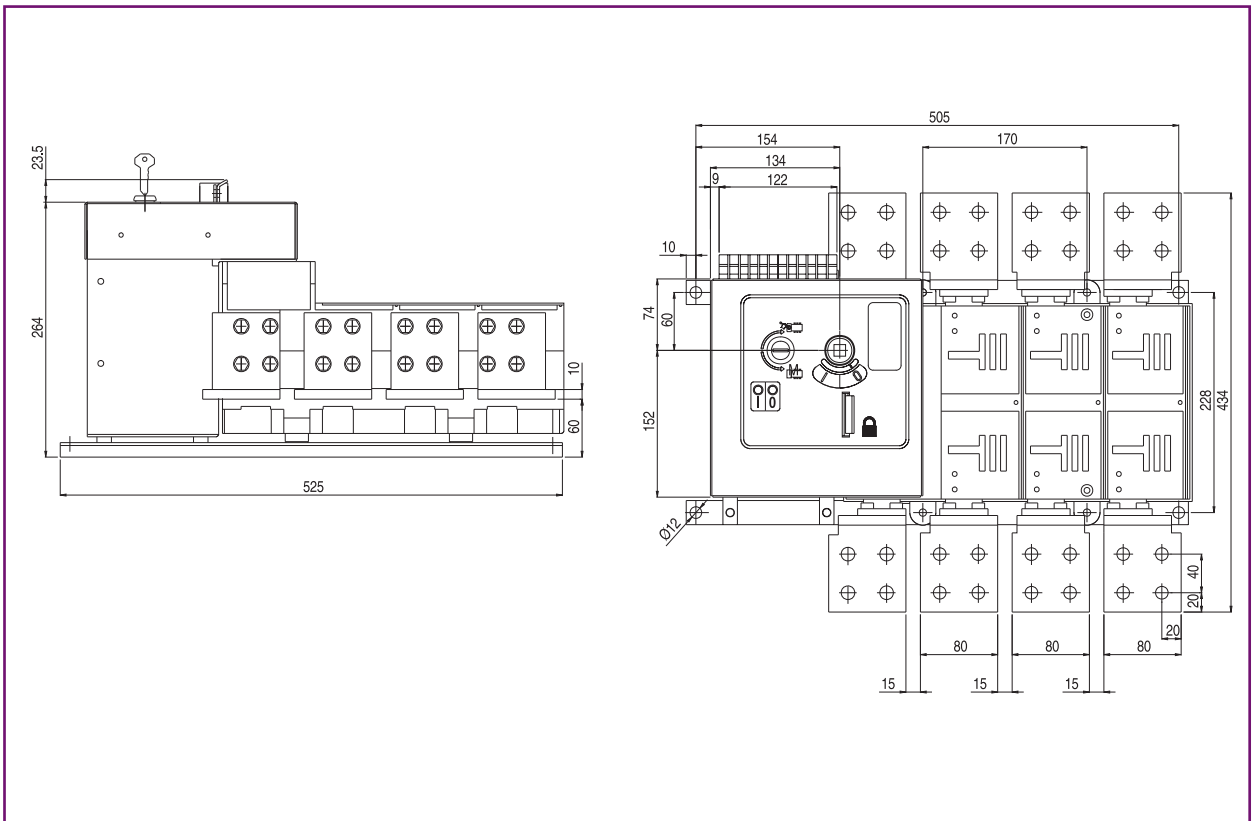


Dimensions

Dilos 7S MO



Dilos 8S MO - 2000A



Dimensions

A

B

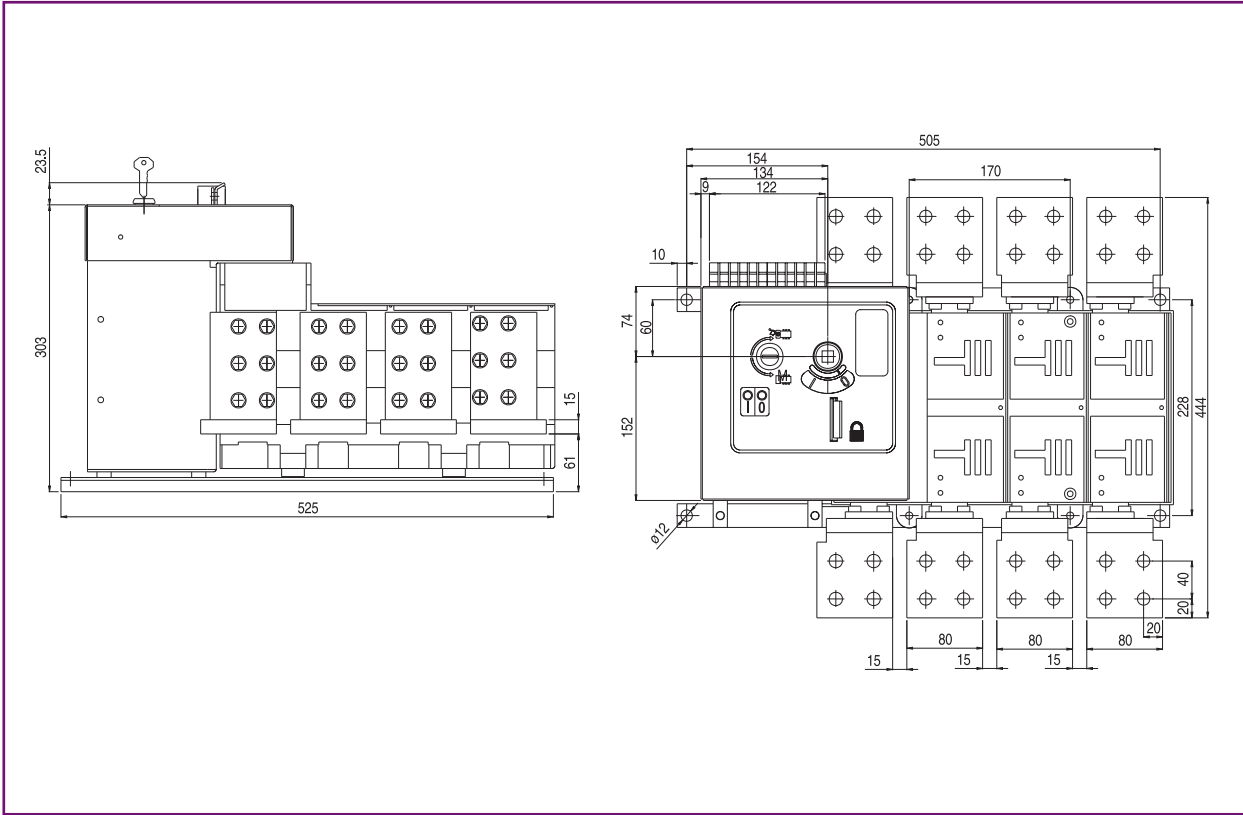
C

D

E

X

Dilos 8S MO - 2500A



Dilos

A

B

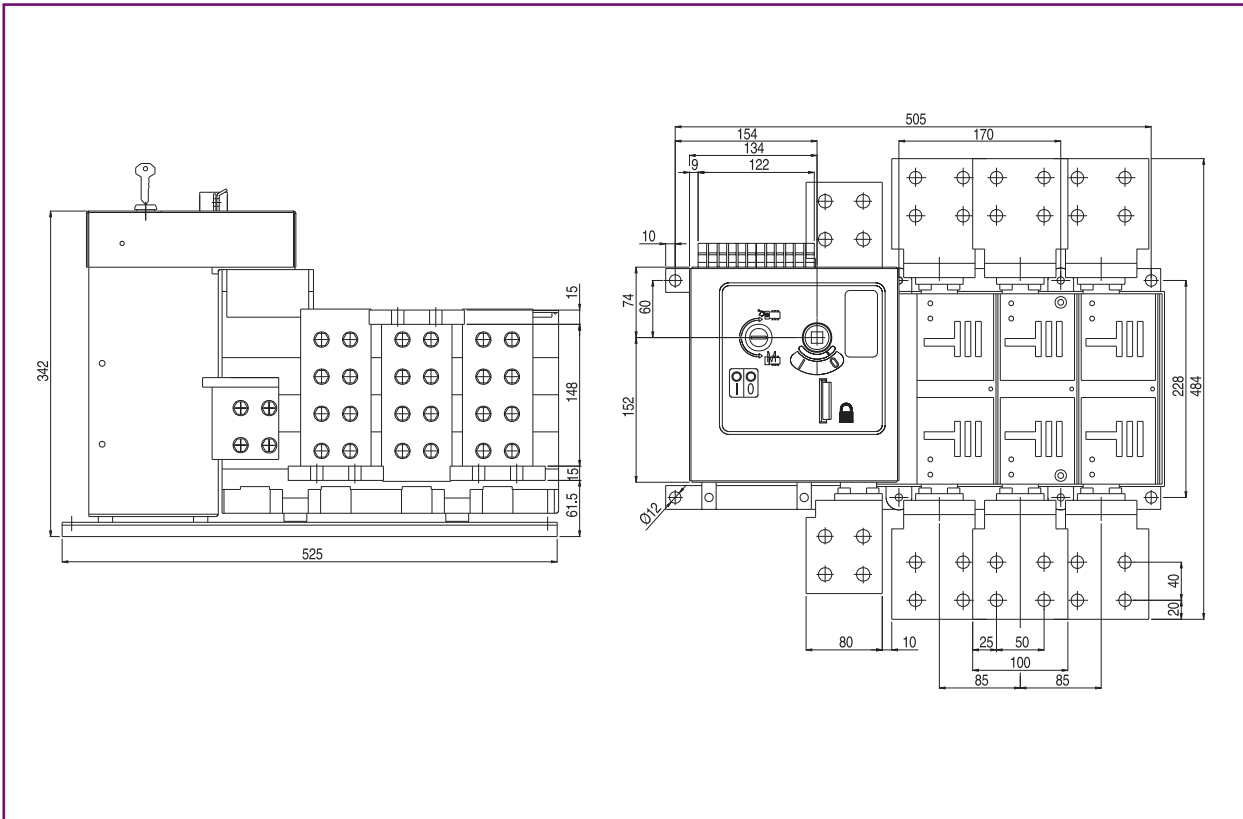
C

D

E

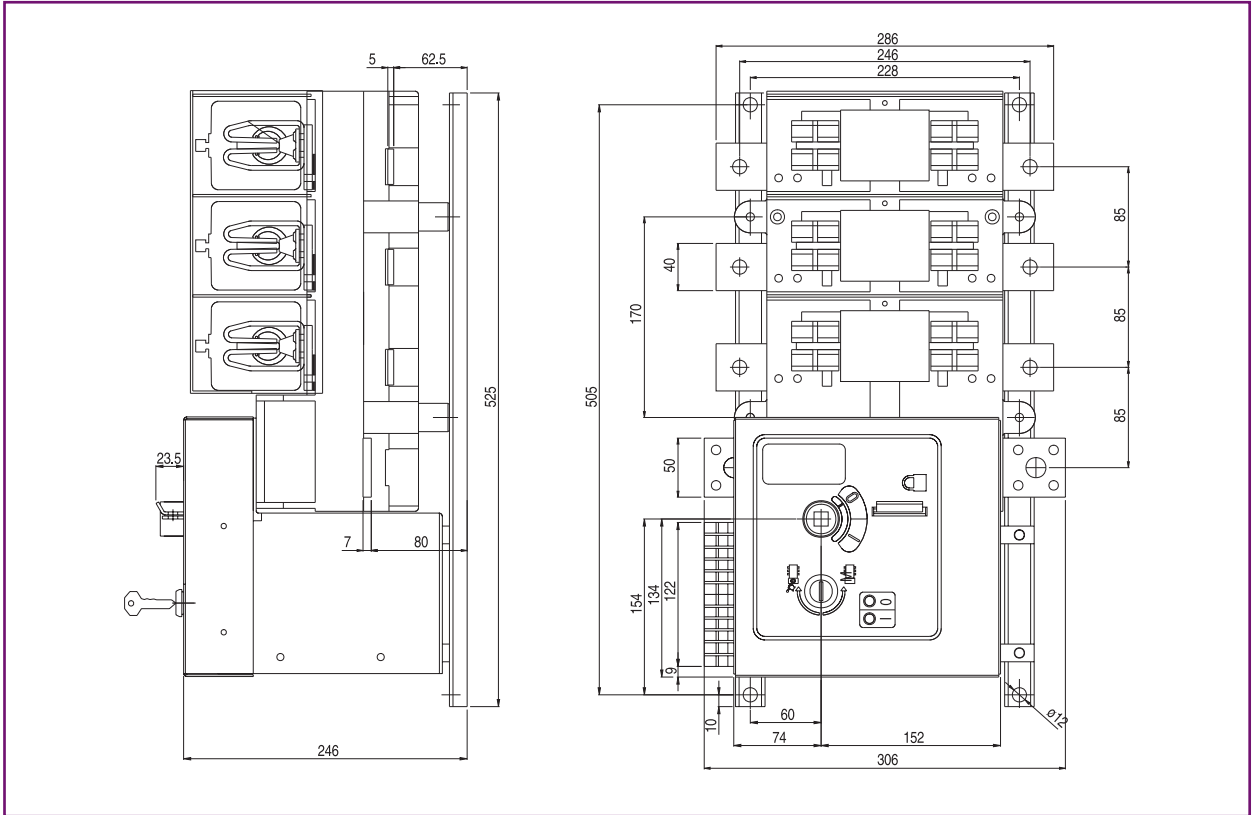
X

Dilos 9S MO

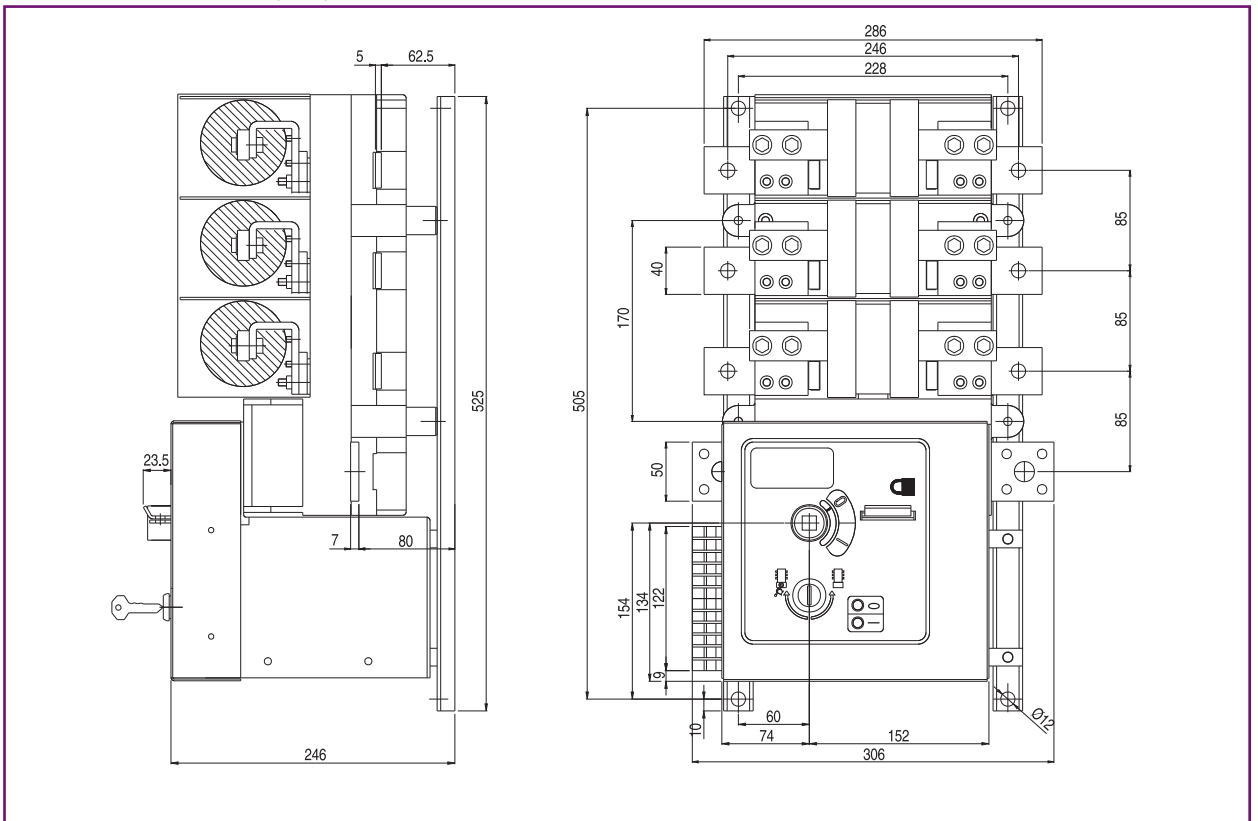


Dimensions

Fulos 3S MO - DIN NH3



Fulos 3S MO - BS C1/C2/C3



Dimensions

A

B

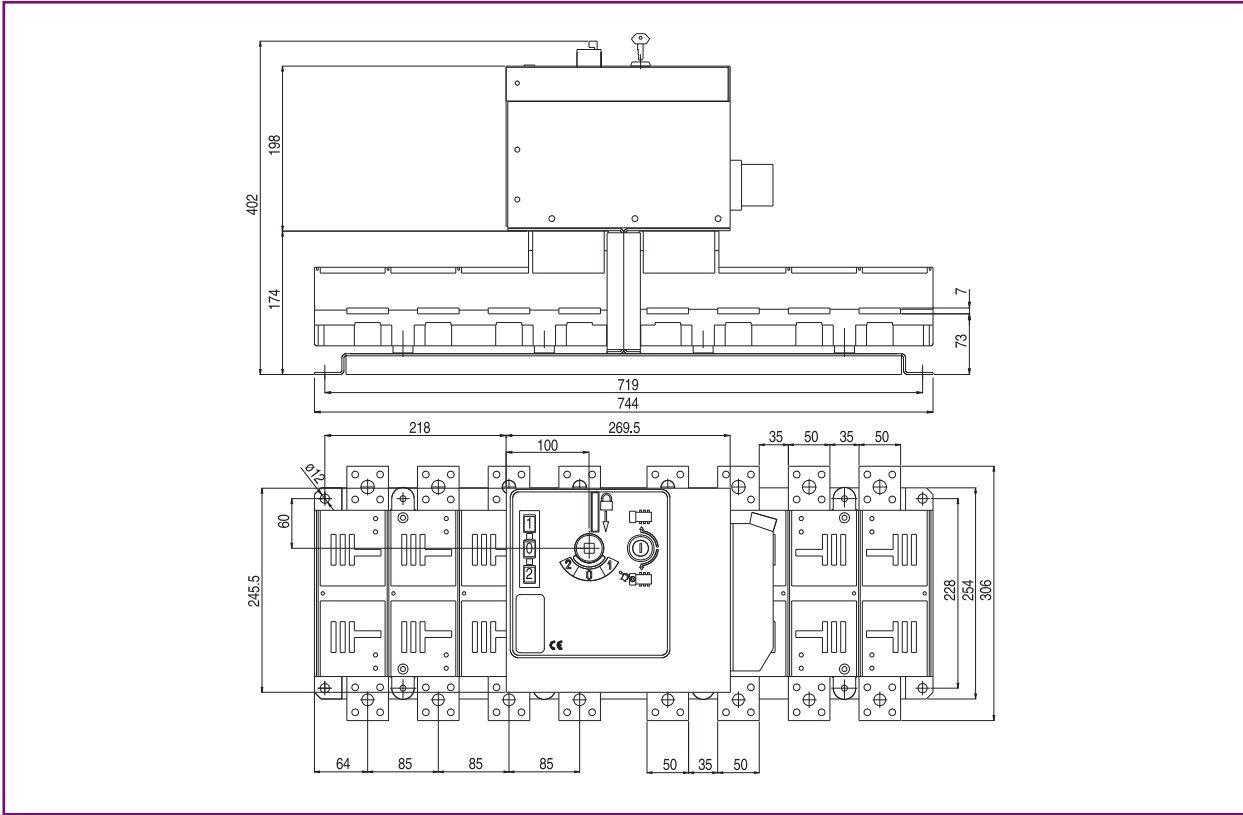
C

D

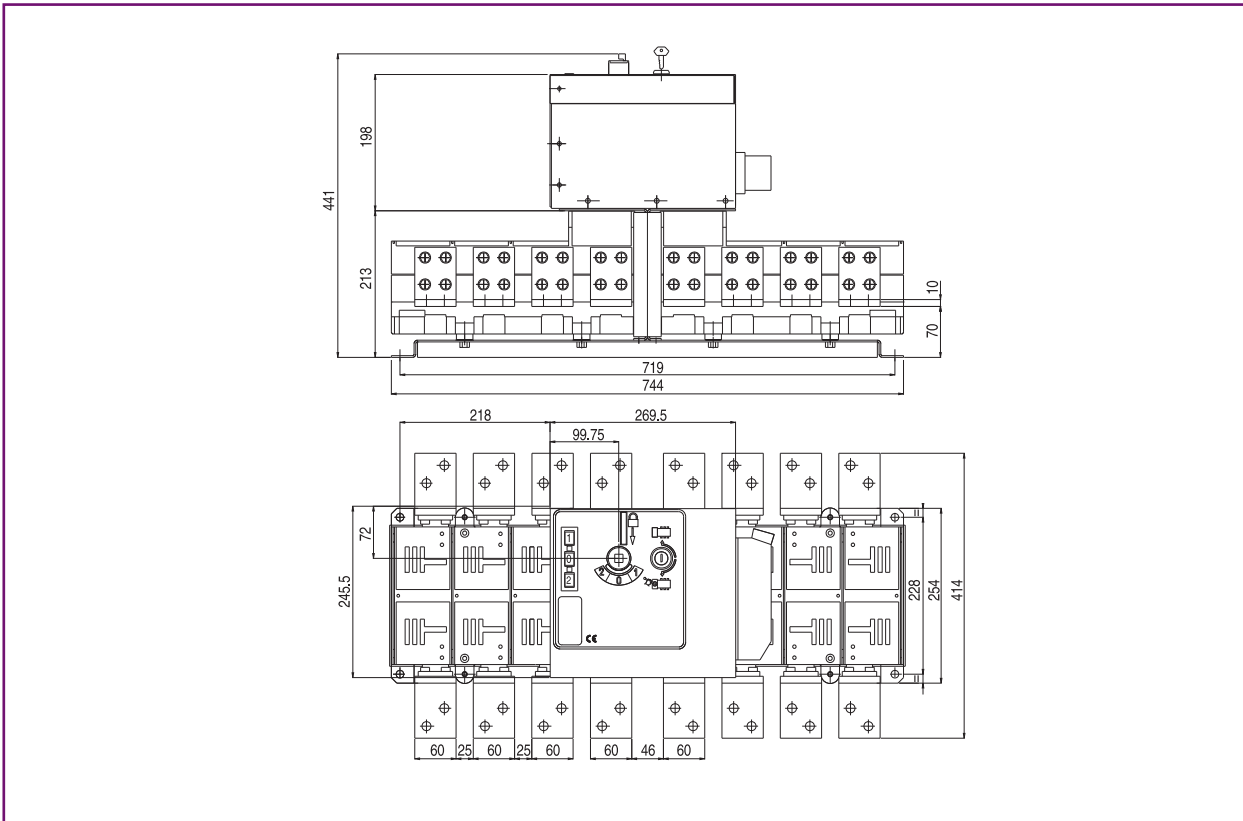
E

X

CO-Dilos 6S MO



CO-Dilos 7S MO



Dilos/Fulos

A

B

C

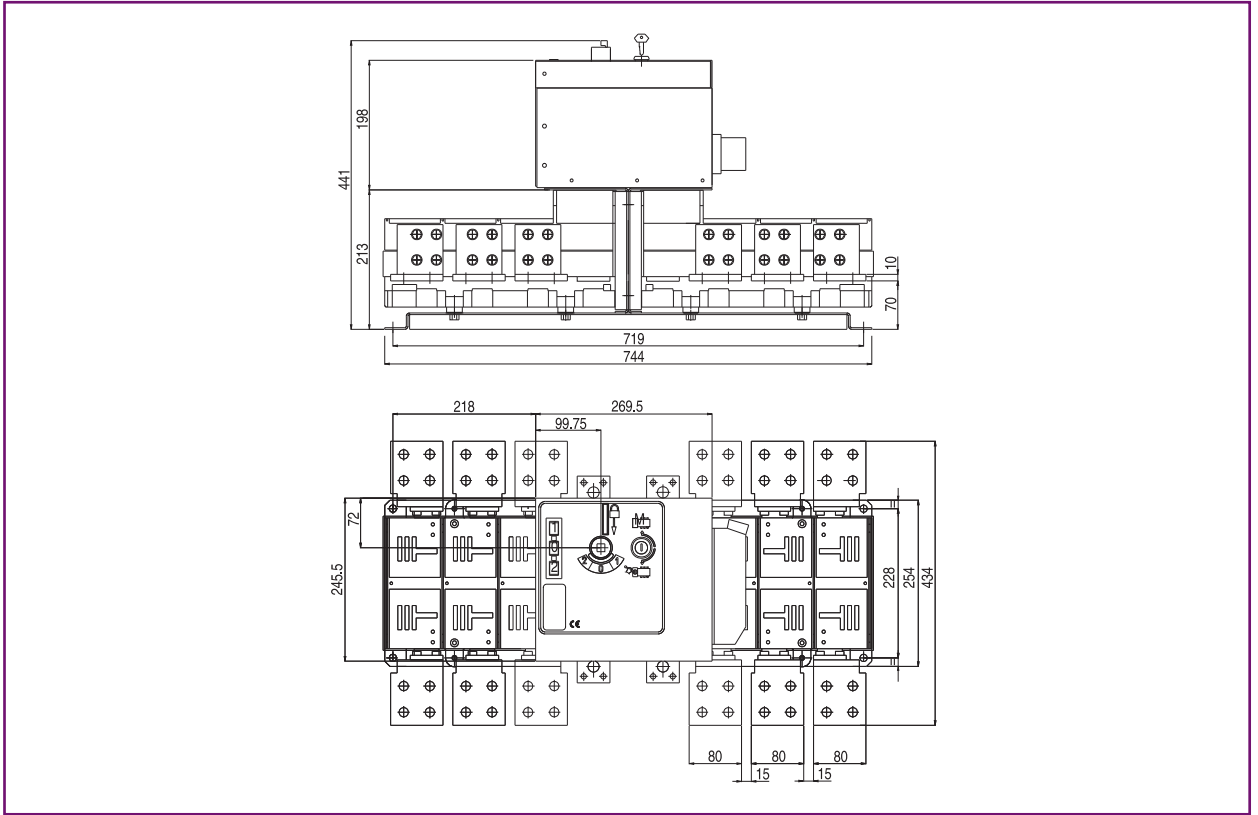
D

E

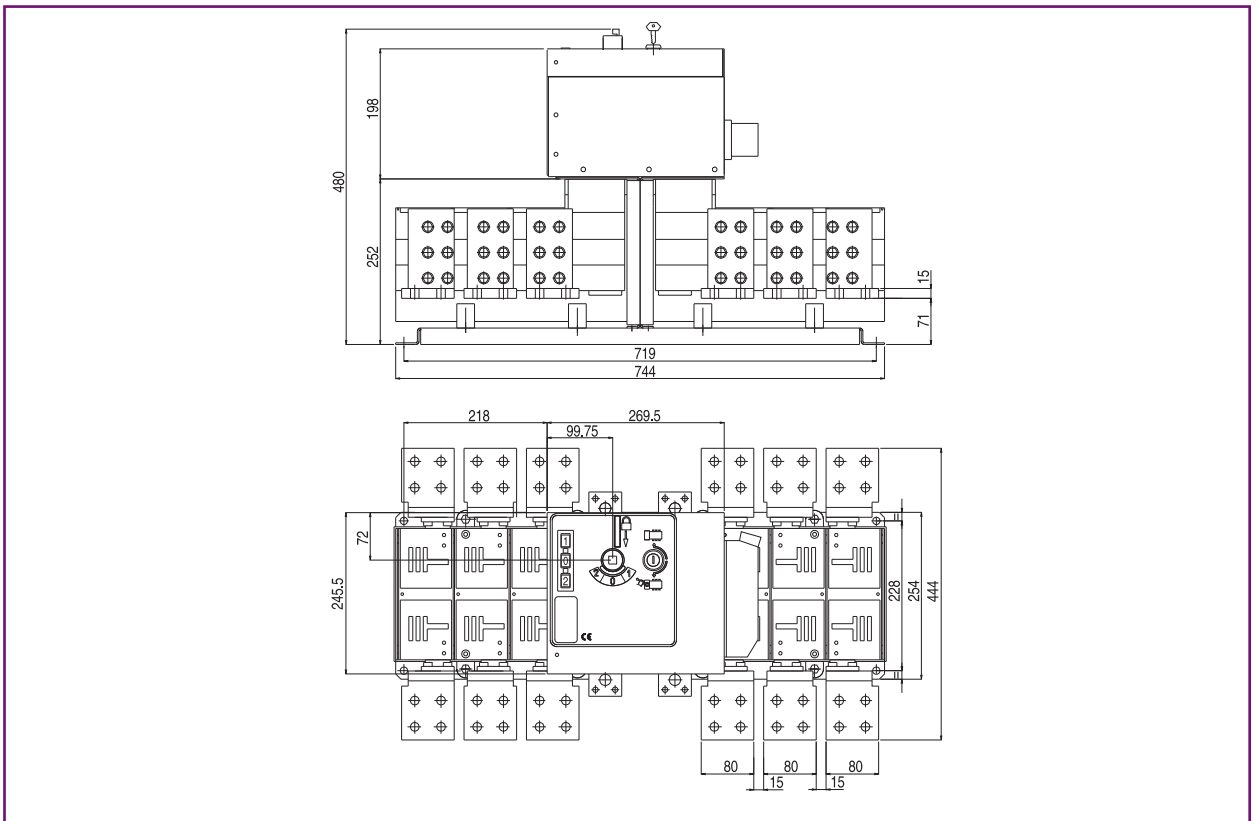
X

Dimensions

CO-Dilos 8S MO - 2000A



CO-Dilos 8S MO - 2500A



Dimensions

A

B

C

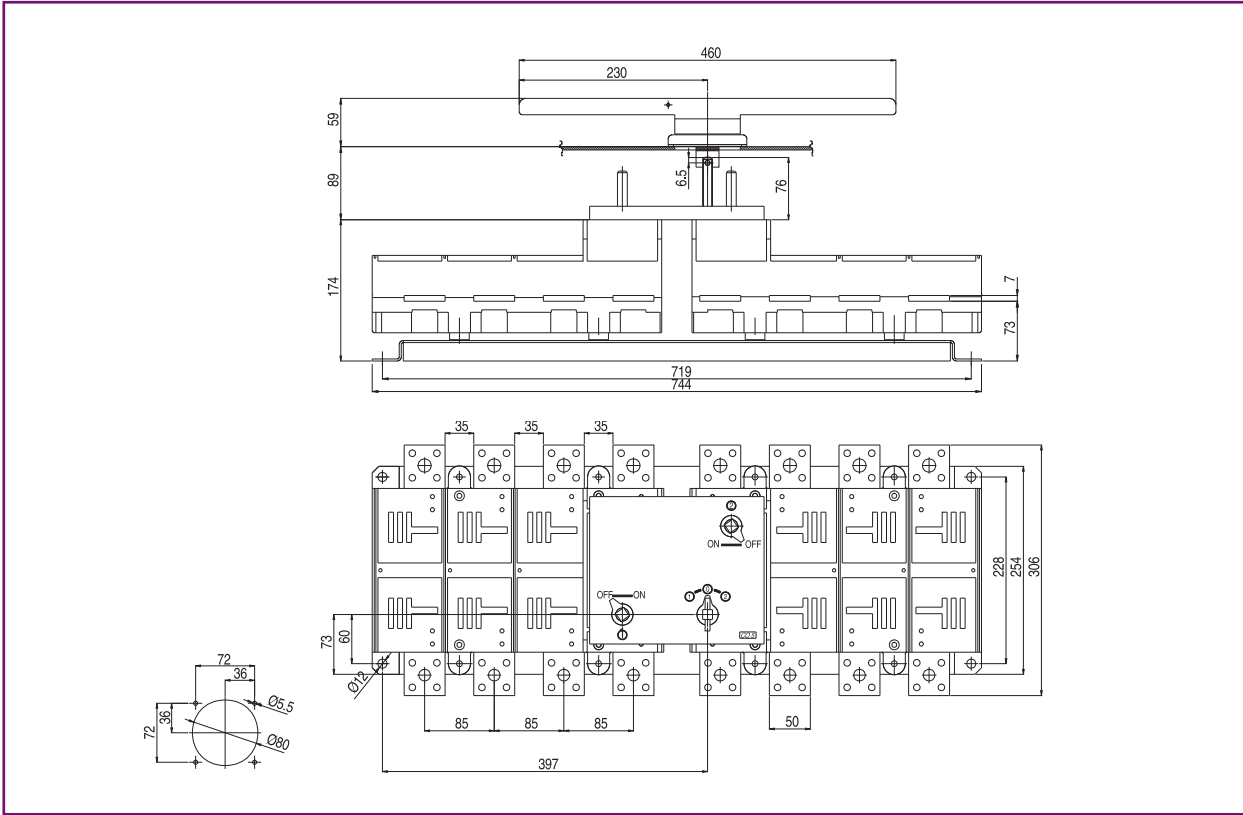
D

E

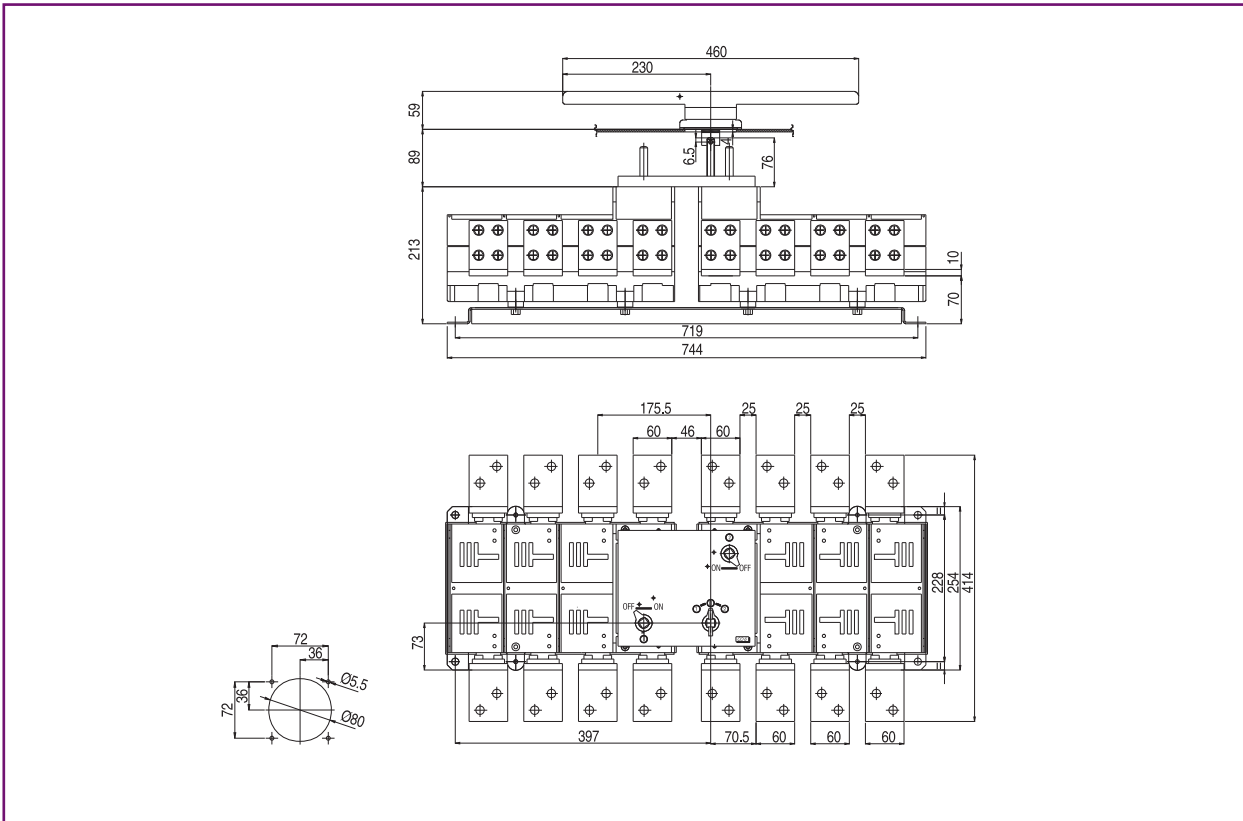
X



CO-Dilos 6S



CO-Dilos 7S



Dilos

A

B

C

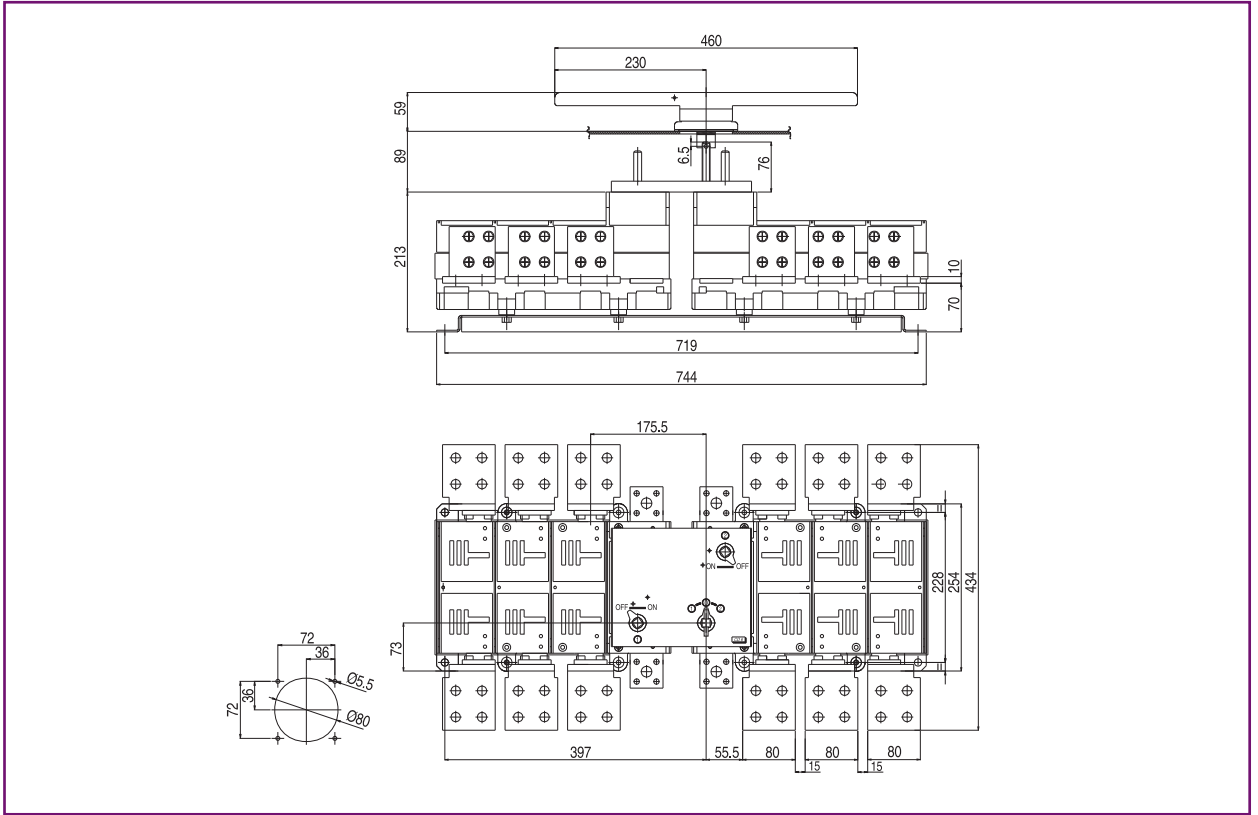
D

E

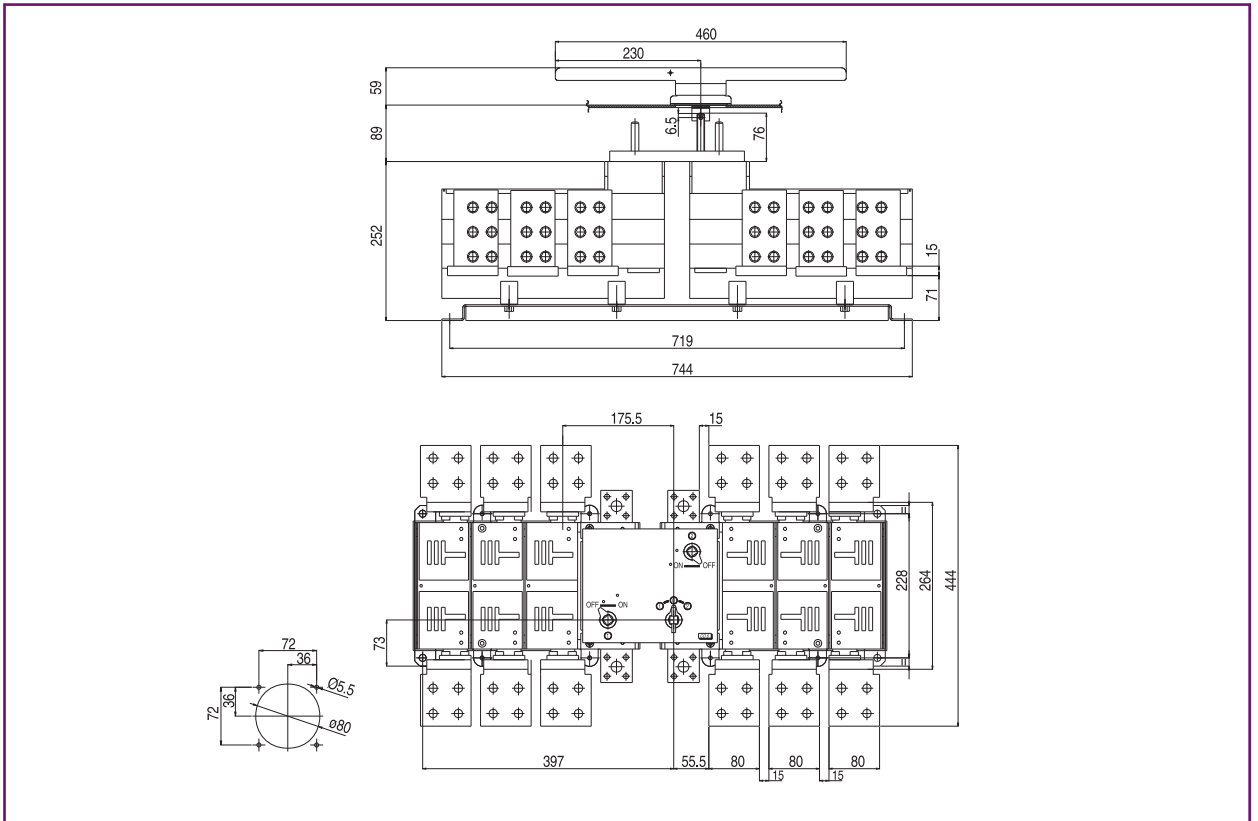
X

Dimensions

CO-Dilos 8S - 2000A



CO-Dilos 8S - 2500A



Dimensions

A

B

C

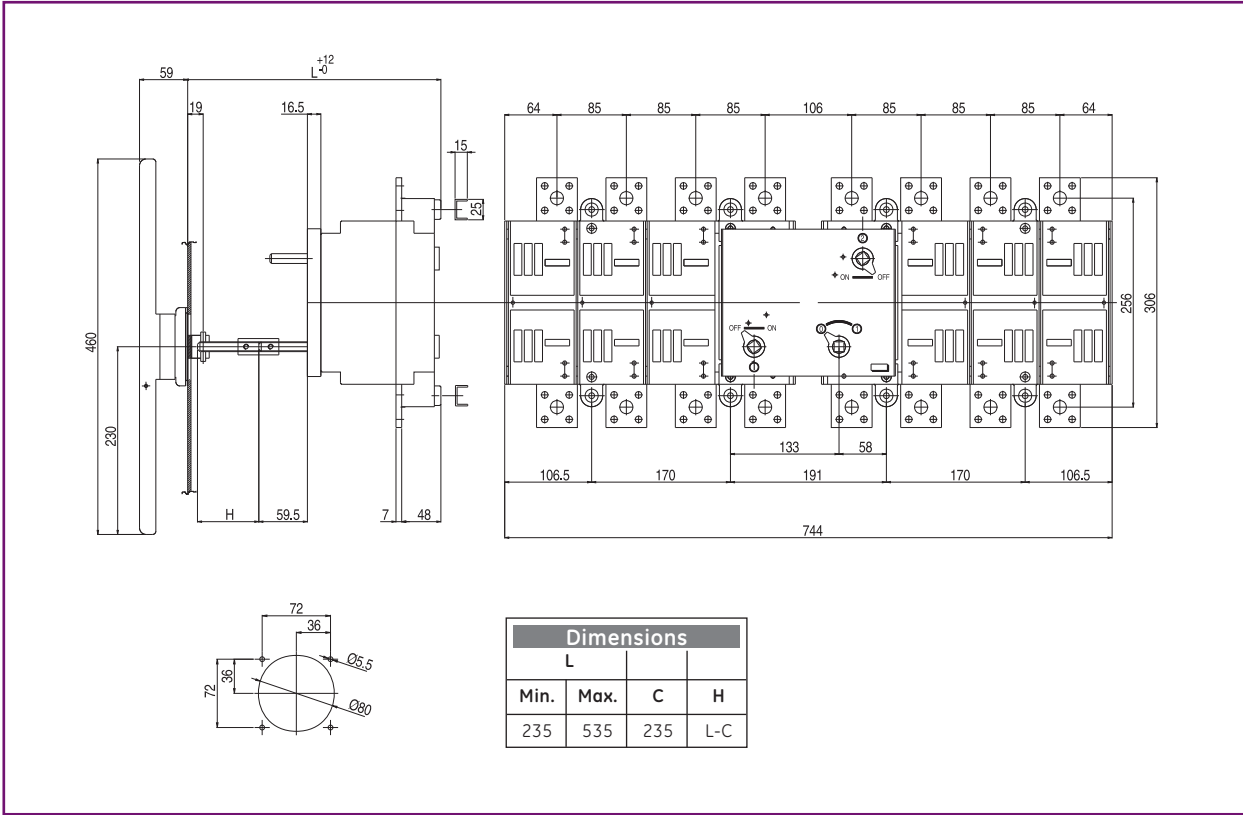
D

E

X



6P Dilos 6S



Dilos

A

B

C

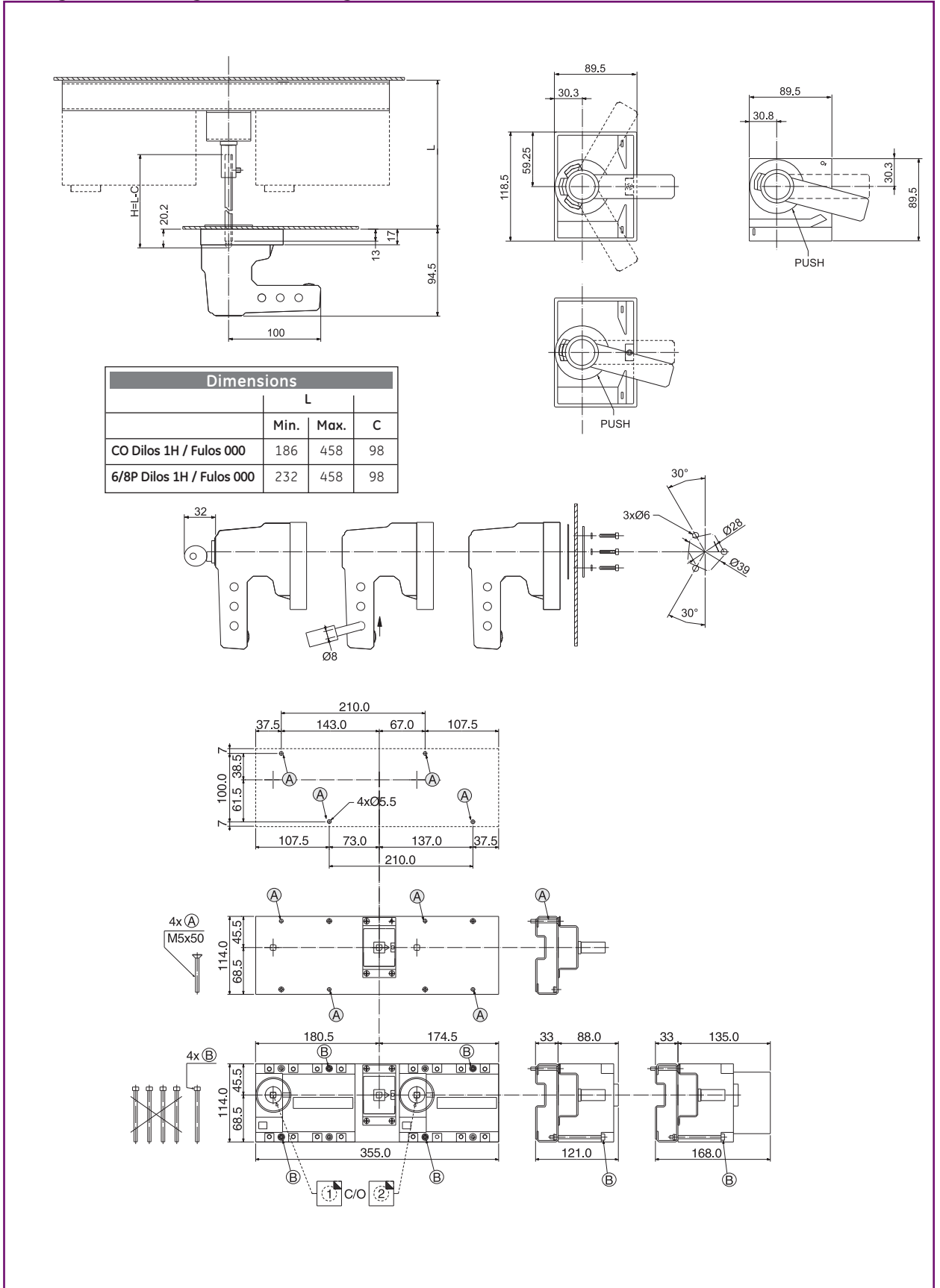
D

E

X

Dimensions

Changeover (CO) system - 6/8P system - Dilos 1H / Fulos 000



Dimensions

A

B

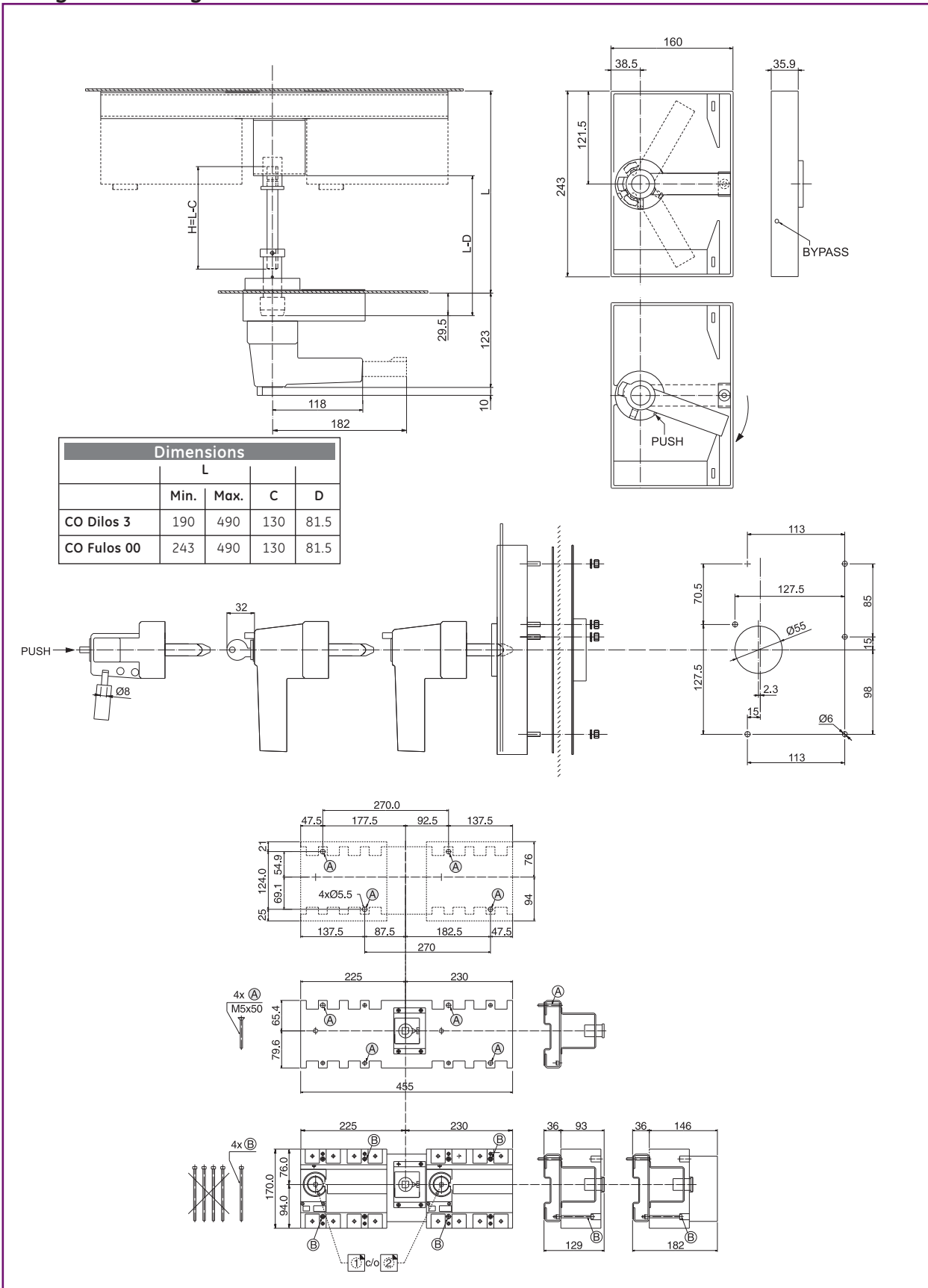
C

D

E

X

Changeover (CO) system - Dilos 3 / Fulos 00



Dimensions				
	L		C	D
	Min.	Max.		
CO Dilos 3	190	490	130	81.5
CO Fulos 00	243	490	130	81.5

Dilos/Fulos

A

B

C

D

E

X

Dimensions

6/8P system - Dilos 3 / Fulos 00

Dimensions

A

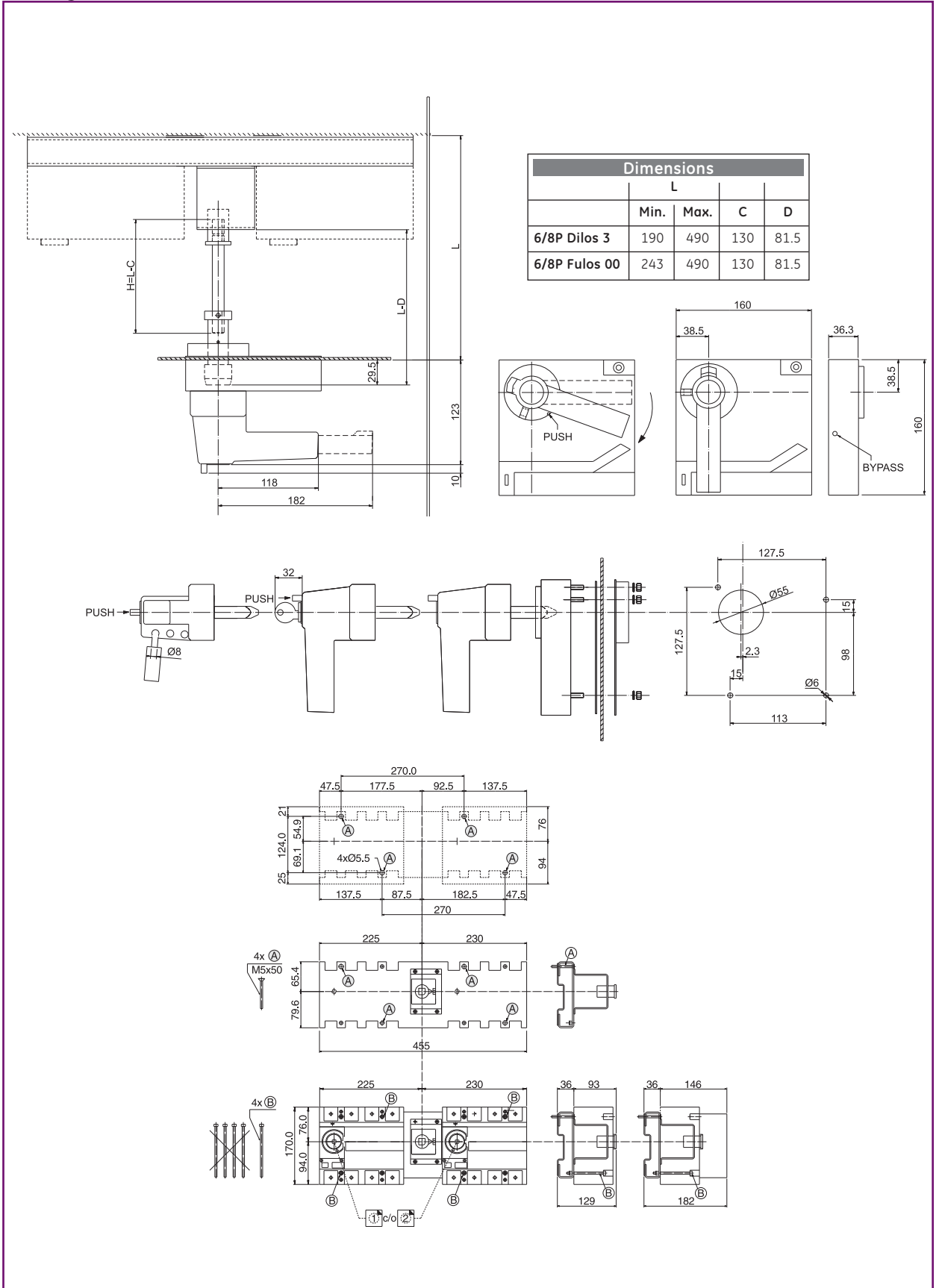
B

C

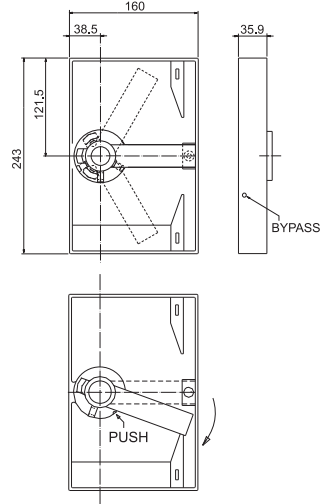
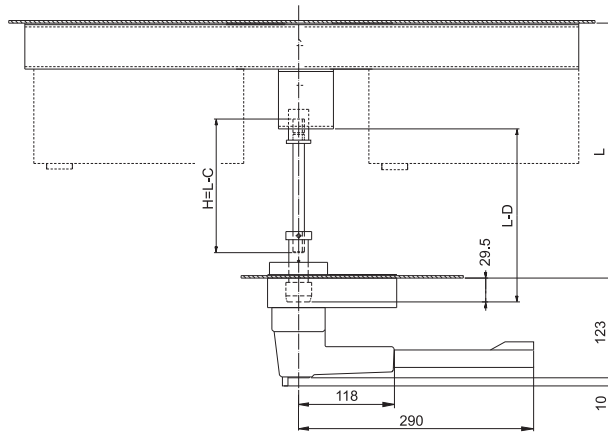
D

E

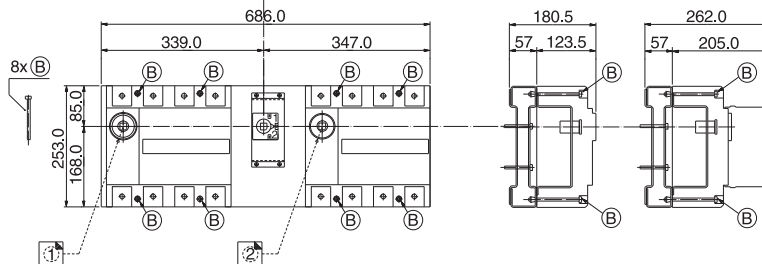
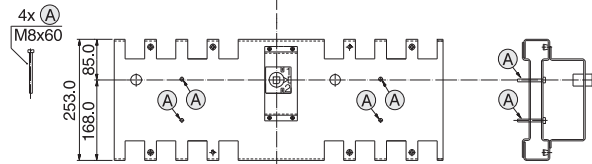
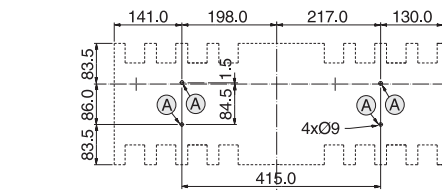
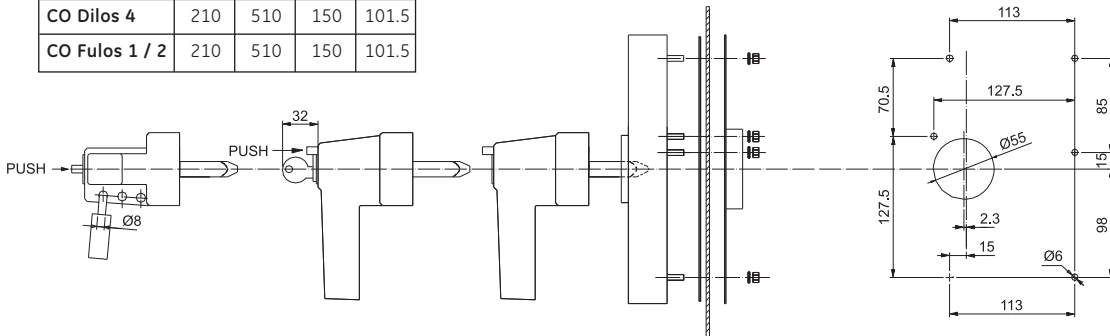
X



Changeover (CO) system - Dilos 4 - Fulos 1 / 2



Dimensions				
	L		C	D
	Min.	Max.		
CO Dilos 4	210	510	150	101.5
CO Fulos 1 / 2	210	510	150	101.5



Dilos/Fulos

A

B

C

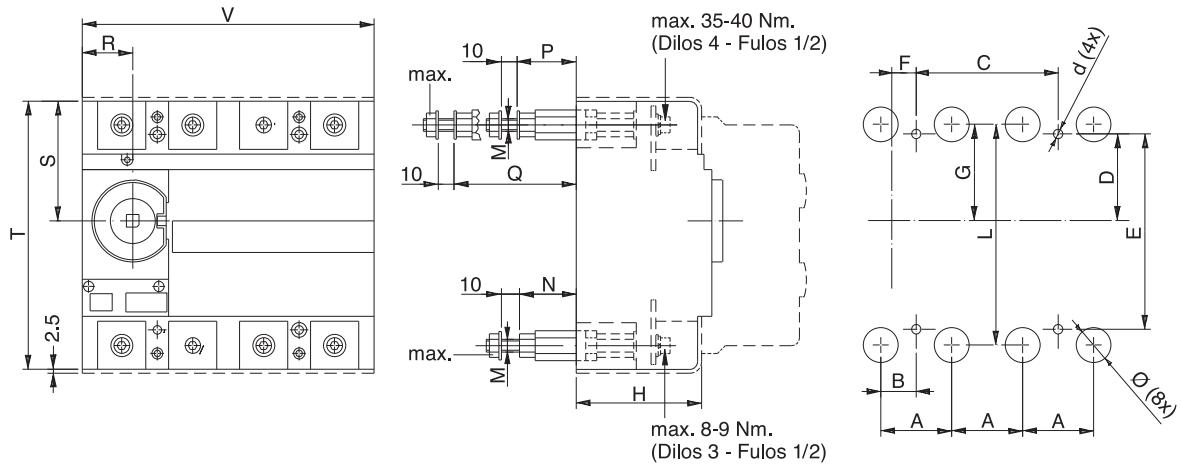
D

E

X

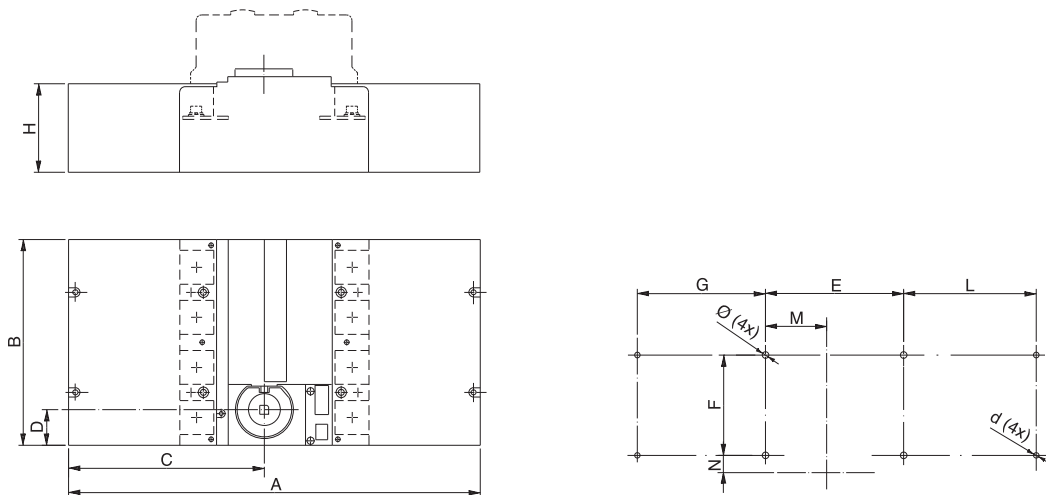
Dimensions

Rear terminals - Dilos 3 / 4 - Fulos 00 / 1 / 2



Dimensions		A	B	C	D	E	F	G	H	L	M	N	Ø	d	MAX.	P	Q	R	S	T	V
Dilos 3 - Fulos 00		45	22.5	90	55	124	15.5	61	80	140	M8	36	22	6	6Nm	-	-	32	76	170	185
Dilos 4 - Fulos 1 / 2		65	32.5	130	68.5	220	30	63.5	110	210	M14	-	30	7	19Nm	51	98	35	85	253	260

Terminal covers - Dilos 3 / 4 - Fulos 00 / 1 / 2



Dimensions		A	B	C	D	E	F	G	H	L	M	N	Ø	d
Dilos 3 - Fulos 00 Long		370	185	176	32	124	90	115	80	119	55	15.5	6	5
Dilos 4 - Fulos 1 / 2 Long		433	260	175	35	220	130	100.5	109	100.5	68.5	30	7	5
Dilos 3 - Fulos 00 Short		250	185	116	32	124	90	55	80	59	65	15.5	6	5
Dilos 4 - Fulos 1 / 2 Short		363	260	140	35	220	130	73	109	65.5	68.5	30	7	5

Dimensions

A

B

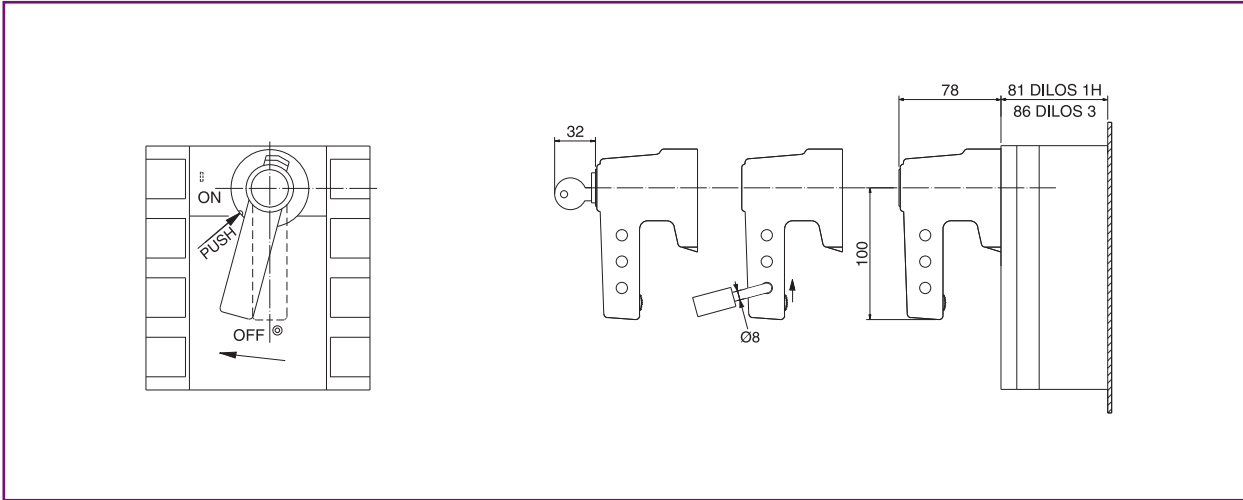
C

D

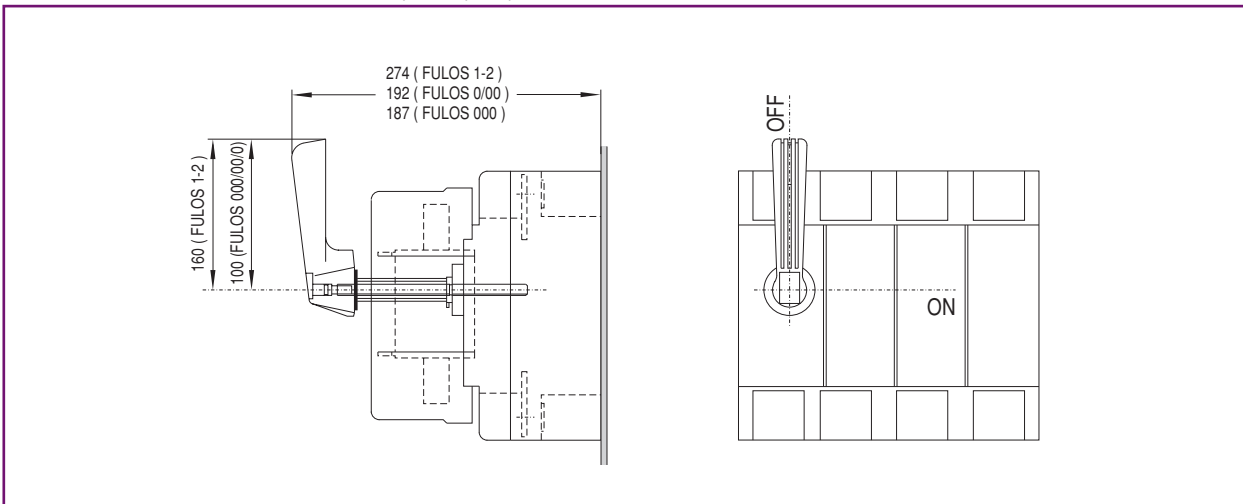
E

X

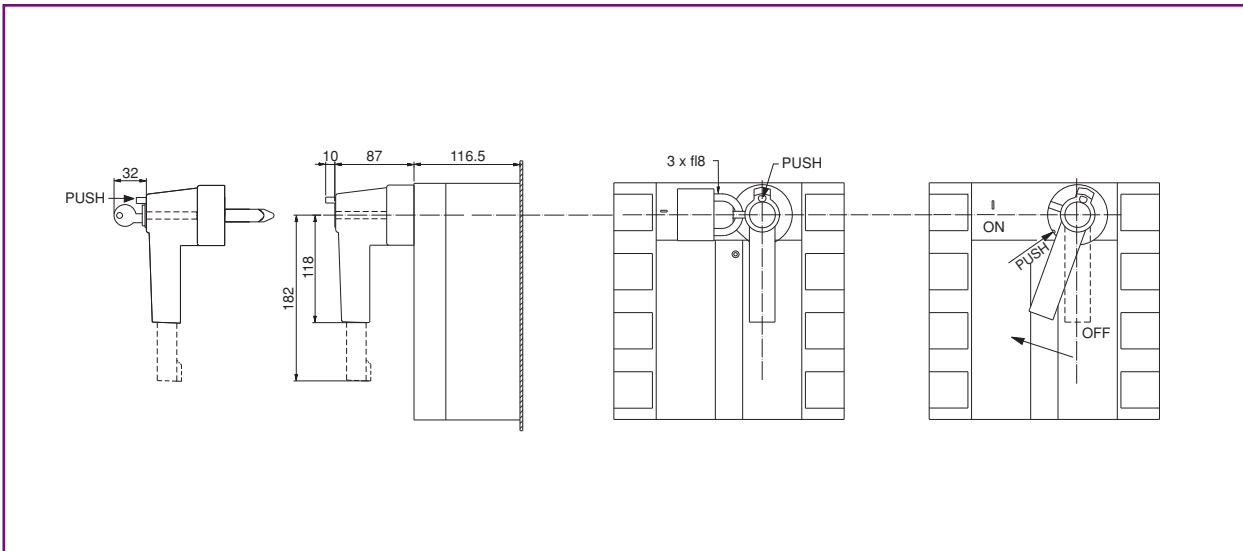
Direct handles for Dilos 1H and Dilos 3



Direct handles for Fulos 000 / 00 / 1 / 2



Direct handles for Dilos 4



Dilos/Fulos

A

B

C

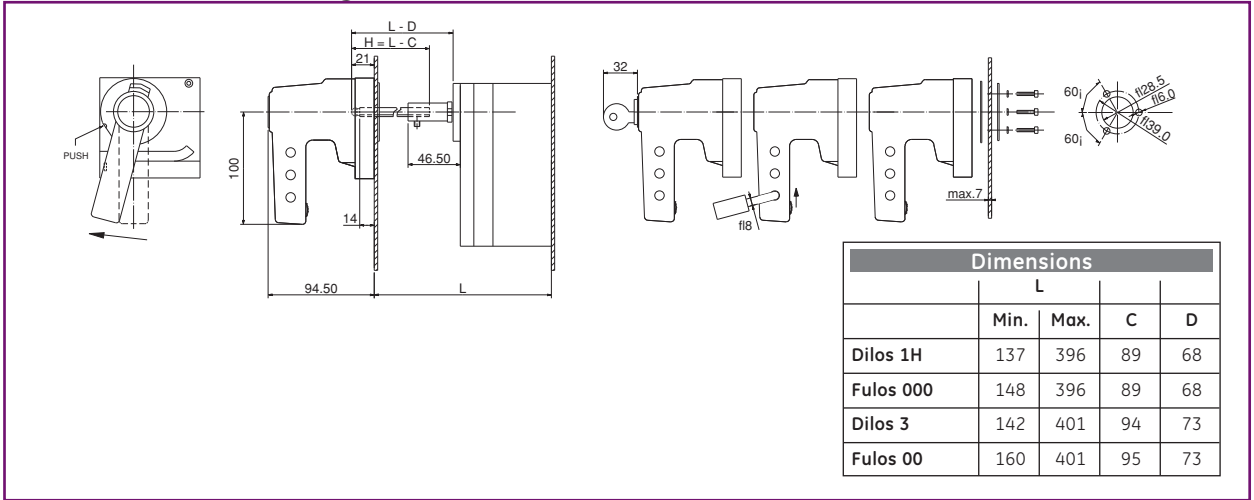
D

E

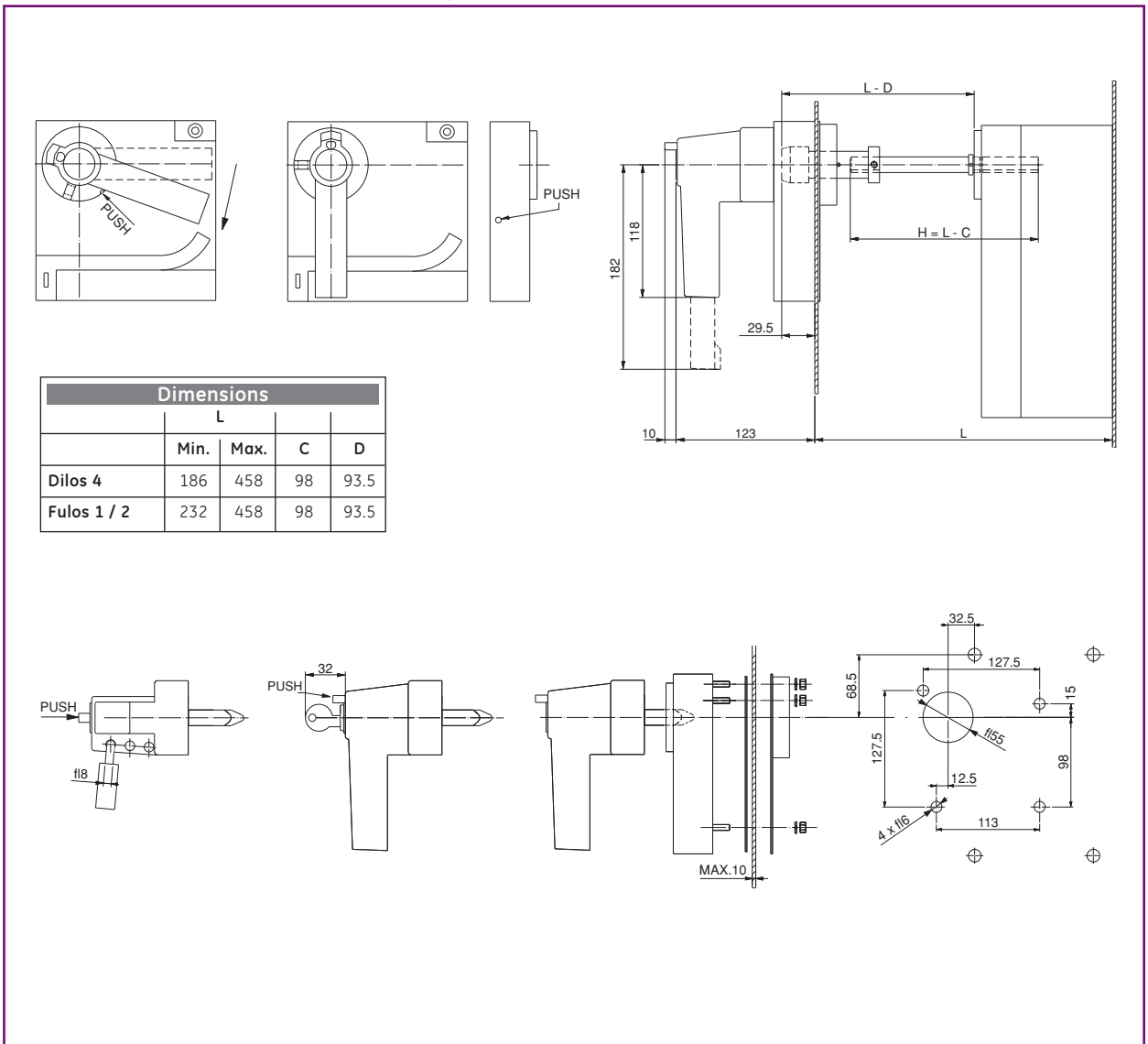
X

Dimensions

Handles for cover or hinged door - Dilos 1H / 3 - Fulos 000 / 00



Direct handles for Dilos 4 - Fulos 1 / 2



Dimensions

A

B

C

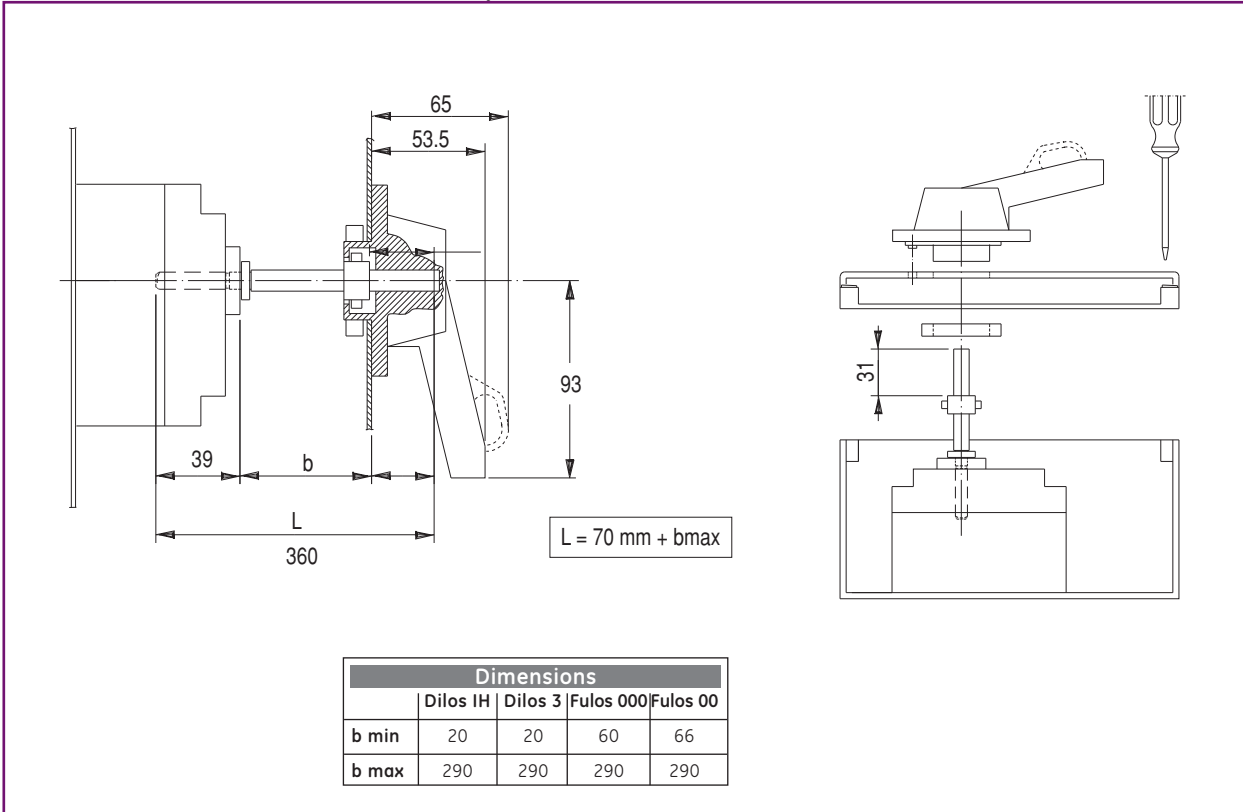
D

E

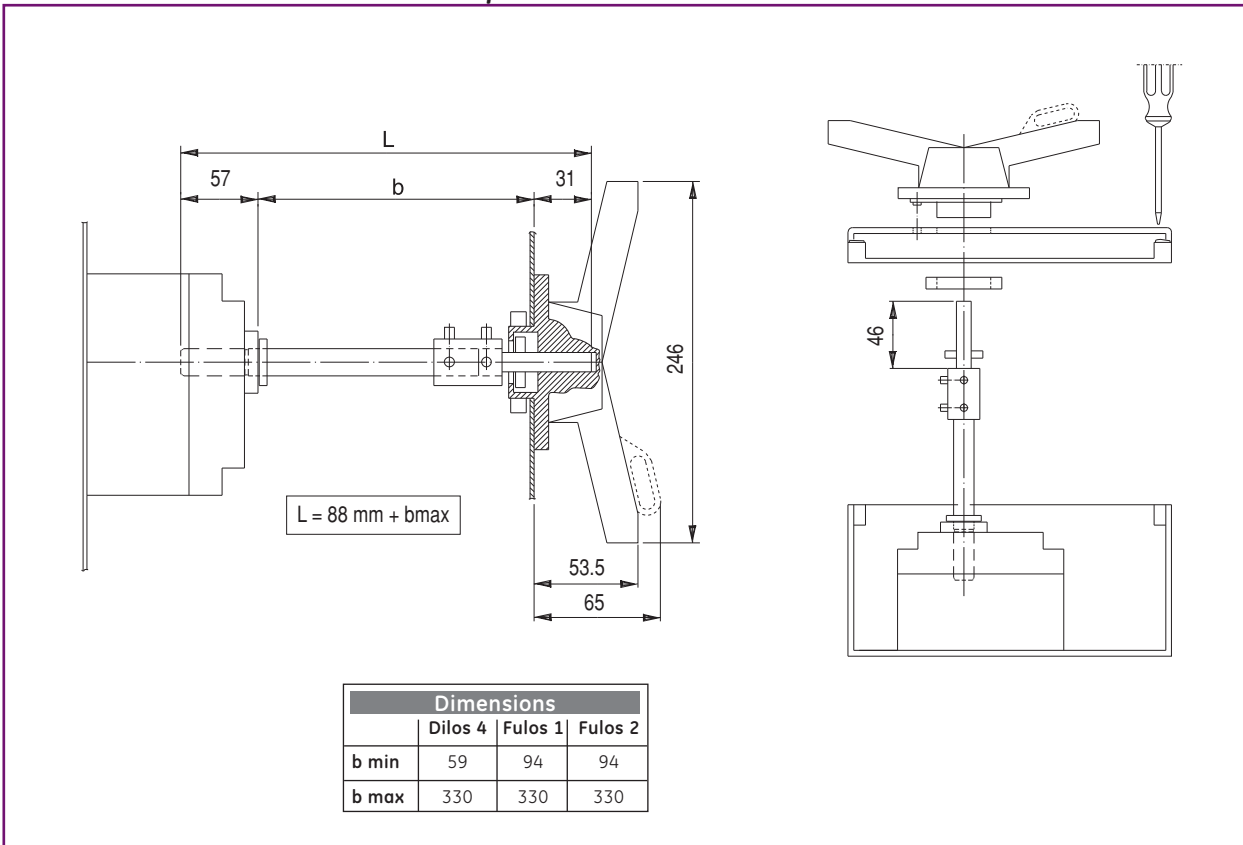
X



Handles for inner door (reduced depth) - Dilos 1H / 3 - Fulos 000 / 00



Handles for inner door (reduced depth) - Dilos 4 - Fulos 1 / 2



Dilos/Fulos

A

B

C

D

E

X

By reference number

Ref. no.	Cat. no.	Page	Ref. no.	Cat. no.	Page	Ref. no.	Cat. no.	Page	Ref. no.	Cat. no.	Page
180000			730088	D/061324-201	B.9	730570	D/062341-203	B.35	730989	D/061303-251	B.4
187002	P9B10VN	B.15	730089	D/061324-203	B.9	730572	D/062351-201	B.36	730990	D/061304-201	B.3
187003	P9B01VR	B.15	730096	D/061326-201	B.9	730576	D/062411-201	B.28	730991	D/061304-251	B.4
400000			730097	D/061326-203	B.9	730577	D/062411-203	B.28	730992	D/061900-501	B.3
401220	NET25	B.25	730117	D/061412-201	B.7	730579	D/062421-201	B.31	730996	D/061900-601	B.3
401221	NET32	B.25	730118	D/061412-203	B.7	730580	D/062421-203	B.31	730997	D/061900-603	B.3
401225	NIT10	B.25	730123	D/061414-201	B.7	730585	D/062441-201	B.35	730998	D/061900-651	B.4
401226	NIT16	B.25	730124	D/061414-203	B.7	730586	D/062441-203	B.35	730999	D/061900-653	B.4
401227	NIT20	B.25	730129	D/061415-201	B.7	730588	D/062451-201	B.36	731000		
401230	NIT2	B.25	730135	D/061416-201	B.7	730592	D/062511-201	B.28	731000	D/061901-202	B.3
401231	NIT4	B.25	730136	D/061416-203	B.7	730595	D/062521-201	B.31	731001	D/061901-252	B.4
401232	NIT6	B.25	730141	D/061417-201	B.7	730601	D/062541-201	B.35	731002	D/061902-220	B.3
402770	NET40	B.25	730142	D/061417-203	B.7	730604	D/062551-201	B.36	731003	D/061902-221	B.3
402771	NET50	B.25	730144	D/061419-000	B.8	730610	D/062921-201	B.14	731004	D/061903-104	B.3
402772	NET63	B.25	730157	D/061424-201	B.9	730611	D/062921-202	B.14	731005	D/061903-154	B.4
403000	NHG000/006	B.25	730158	D/061424-203	B.9	730614	D/062912-225	B.29	731006	D/061903-204	B.3
403001	NHG000/010	B.25	730165	D/061426-201	B.9	730615	D/062922-220	B.14	731007	D/061903-205	B.3
403002	NHG000/016	B.25	730166	D/061426-203	B.9	730616	D/062922-221	B.14	731008	D/061903-206	B.3
403003	NHG000/020	B.25	730185	D/061512-201	B.7	730617	D/062922-225	B.32	731009	D/061903-254	B.4
403004	NHG000/025	B.25	730189	D/061514-201	B.7	730618	D/062942-220	B.15	731010	D/061903-255	B.4
403005	NHG000/032	B.25	730193	D/061515-201	B.7	730619	D/062942-221	B.15	731011	D/061903-256	B.4
403006	NHG000/035	B.25	730197	D/061516-201	B.7	730620	D/062942-225	B.36	731012	D/061903-304	B.3
403007	NHG000/040	B.25	730201	D/061517-201	B.7	730625	D/062922-203	B.14	731013	D/061903-354	B.4
403008	NHG000/050	B.25	730215	D/061524-201	B.9	730626	D/062922-204	B.14	731014	D/061903-404	B.3
403009	NHG000/063	B.25	730223	D/061526-201	B.9	730627	D/062922-213	B.14	731015	D/061903-454	B.4
403010	NHG000/080	B.25	730250	D/061900-020	B.7	730628	D/062922-214	B.14	731024	D/061912-020	B.7
403011	NHG000/100	B.25	730252	D/061901-001	B.7	730629	D/062922-253	B.14	731056	D/061902-202	B.11
403012	NHG000/125	B.25	730253	D/061901-002	B.7	730630	D/062922-254	B.14	731347	D/062910-207	B.12
403013	NHG000/160	B.25	730255	D/061910-002	B.7	730633	D/062942-213	B.15	731348	D/062920-267	B.14
404600	FP63-BS	B.25	730256	D/061910-004	B.7	730634	D/062942-214	B.15	731351	D/062927-203	B.11
404602	FP32-NF	B.25	730257	D/061910-012	B.7	730635	D/062942-253	B.15	731352	D/062947-202	B.15
404604	FP50-NF	B.25	730258	D/061910-014	B.7	730636	D/062942-254	B.15	731353	D/062947-203	B.35
404606	FP63-DIN	B.25	730260	D/061912-004	B.7	730649	D/061940-211	B.11	731357	D/061990-271	B.22
404608	FP32-BS	B.25	730261	D/061922-003	B.9	730650	D/061940-213	B.11	731359	D/062990-261	B.22
404610	FP32-DIN	B.25	730262	D/061922-004	B.9	730651	D/061940-231	B.11	731404	D/061301-203	B.3
404625	FP-DH	B.26	730263	D/061922-020	B.9	730652	D/061940-233	B.11	731407	D/061302-203	B.3
404626	FP-DH-LOCK	B.26	730281	D/061922-030	B.9	730653	D/061950-251	B.15	731410	D/061303-203	B.3
404627	FP-DH-SIDE	B.26	730454	D/061330-201	B.11	730655	D/062910-205	B.12	731413	D/061304-203	B.3
404628	FP-AUX	B.26	730455	D/061330-203	B.11	730656	D/062910-206	B.12	731415	D/061912-013	B.7
404629	FP-N-INBUS	B.26	730457	D/061331-201	B.11	730661	D/062920-201	B.11	731416	D/061912-014	B.7
404630	FP-SWN-INBUS	B.26	730458	D/061331-203	B.11	730662	D/062920-203	B.11	731420	D/062930-251	B.35
404631	FP-TC	B.26	730460	D/061333-201	B.11	730663	D/062920-221	B.11	731421	D/062930-253	B.35
404632	FP-N-COMB	B.26	730461	D/061333-203	B.11	730664	D/062920-223	B.11	731436	D/062910-251	B.28
404633	FP-SWN-COMB	B.26	730463	D/061334-201	B.13	730665	D/062920-265	B.14	731437	D/062910-253	B.28
404634	FP-TC-DIN	B.26	730464	D/061334-203	B.13	730666	D/062920-266	B.14	731453	D/062927-265	B.12
404635	FP-AUX-DIN	B.26	730466	D/061335-201	B.13	730667	D/062940-241	B.15	731455	D/062937-265	B.14
404636	FP-DH-LOCK-RY	B.26	730467	D/061335-203	B.13	730668	D/062940-243	B.35	731457	D/062947-265	B.15
404637	FP-AXE300	B.26	730469	D/061336-201	B.13	730669	D/062940-265	B.15	731459	D/062922-226	B.14
404638	FP-AUX2NO	B.26	730470	D/061336-203	B.13	730743	D/061394-201	B.22	731461	D/062942-226	B.15
404640	IBK4MM	B.26	730472	D/061337-201	B.13	730757	D/061494-201	B.22	731466	D/061419-021	B.8
650000			730474	D/061344-201	B.15	730773	D/062371-201	B.41	731467	D/061912-021	B.8
652016	V/333-013760	B.5	730476	D/061345-201	B.15	730777	D/062471-201	B.41	731498	D/062972-227	B.22
652017	V/333-013732	B.5	730478	D/061346-201	B.15	730805	D/061420-200	B.8	731538	D/061940-252	B.11
652018	V/333-013733	B.5	730482	D/061430-201	B.11	730806	D/061421-200	B.8	731539	D/061940-253	B.11
652019	V/333-013734	B.5	730483	D/061430-203	B.11	730821	D/062314-201	B.28	731540	D/061950-252	B.15
652020	V/333-013736	B.5	730485	D/061431-201	B.11	730822	D/062322-241	B.31	731552	D/062927-267	B.29
652021	V/333-013742	B.5	730486	D/061431-203	B.11	730823	D/062342-221	B.35	731554	D/062937-267	B.14
652022	V/333-013743	B.5	730488	D/061433-201	B.11	730824	D/062352-241	B.36	731557	D/661367-231	B.17
652023	V/333-013744	B.5	730489	D/061433-203	B.11	730827	D/062372-211	B.41	731570	D/661365-231	B.17
652024	V/333-013746	B.5	730491	D/061434-201	B.13	730833	D/062414-201	B.28	731571	D/661365-251	B.17
652025	V/333-013762	B.5	730492	D/061434-203	B.13	730834	D/062422-241	B.31	731572	D/661365-255	B.49
652026	V/333-013763	B.5	730494	D/061435-201	B.13	730835	D/062442-221	B.35	731574	D/661365-273	B.43
652027	V/333-013764	B.5	730495	D/061435-203	B.13	730836	D/062452-241	B.36	731575	D/661365-281	B.46
652028	V/333-013766	B.5	730497	D/061436-201	B.13	730839	D/062472-211	B.41	731576	D/661365-285	B.47
652062	V/333-013721	B.5	730498	D/061436-203	B.13	730845	D/062514-201	B.28	731584	D/661366-231	B.17
652063	V/333-013723	B.5	730500	D/061437-201	B.13	730846	D/062522-241	B.31	731585	D/661366-251	B.17
730000			730502	D/061444-201	B.15	730847	D/062542-221	B.35	731586	D/661366-255	B.49
730000	D/061000-097	B.7	730504	D/061445-201	B.15	730848	D/062552-241	B.36	731588	D/661366-273	B.43
730004	D/061212-201	B.7	730506	D/061446-201	B.15	730853	D/062920-281	B.11	731589	D/661366-281	B.46
730008	D/061214-201	B.7	730510	D/061530-201	B.11	730854	D/062920-283	B.11	731590	D/661366-285	B.47
730012	D/061215-201	B.7	730513	D/061531-201	B.11	730855	D/062940-281	B.15	731601	D/661367-251	B.17
730016	D/061216-201	B.7	730516	D/061533-201	B.11	730857	D				

Ref. no.	Cat. no.	Page	Ref. no.	Cat. no.	Page
731639	D/661382-285	B.47	731897	D/662962-225	B.39
731646	D/661385-251	B.19	731898	D/662962-227	B.17
731647	D/661385-255	B.49	731903	D/662970-231	B.39
731648	D/661385-281	B.46	731906	D/662972-229	B.39
731649	D/661385-285	B.47	731919	D/062312-232	B.28
731654	D/661393-251	B.21	731921	D/062412-232	B.28
731656	D/661393-281	B.46	731923	D/062512-232	B.28
731662	D/661465-231	B.17	731925	D/062322-242	B.31
731663	D/661465-251	B.17	731927	D/062422-242	B.31
731665	D/661465-255	B.49	731929	D/062522-242	B.31
731667	D/661465-273	B.43	731931	D/062342-222	B.35
731668	D/661465-281	B.46	731933	D/062442-222	B.35
731669	D/661465-285	B.47	731935	D/062542-222	B.35
731677	D/661466-231	B.17	769000		
731678	D/661466-251	B.17	769080	D/769080-000	B.11
731679	D/661466-255	B.49			
731681	D/661466-273	B.43			
731682	D/661466-281	B.46			
731683	D/661466-285	B.47			
731691	D/661467-231	B.17			
731692	D/661467-251	B.17			
731693	D/661467-255	B.49			
731695	D/661467-273	B.43			
731696	D/661467-281	B.46			
731697	D/661467-285	B.47			
731706	D/661471-251	B.19			
731707	D/661471-255	B.49			
731709	D/661471-273	B.43			
731711	D/661471-281	B.46			
731712	D/661471-285	B.47			
731719	D/661482-251	B.19			
731721	D/661482-273	B.43			
731723	D/661482-281	B.46			
731728	D/661485-251	B.19			
731729	D/661485-281	B.46			
731733	D/661565-231	B.17			
731734	D/661565-251	B.17			
731737	D/661566-231	B.17			
731738	D/661566-251	B.17			
731741	D/661567-231	B.17			
731742	D/661567-251	B.17			
731745	D/661665-231	B.50			
731747	D/661666-231	B.50			
731749	D/661667-231	B.50			
731752	D/661771-251	B.19			
731754	D/661782-251	B.19			
731755	D/661782-255	B.49			
731756	D/661782-285	B.47			
731761	D/661785-251	B.19			
731762	D/661785-255	B.49			
731763	D/661785-285	B.47			
731769	D/661793-251	B.21			
731773	D/661793-281	B.46			
731786	D/661960-231	B.17			
731787	D/661960-245	B.17			
731788	D/661960-251	B.17			
731792	D/661970-245	B.19			
731794	D/661971-201	B.17			
731795	D/661971-202	B.17			
731798	D/661980-245	B.19			
731800	D/661990-245	B.21			
731815	D/662361-231	B.39			
731818	D/662361-273	B.43			
731819	D/662361-281	B.46			
731825	D/662362-231	B.39			
731828	D/662362-273	B.43			
731829	D/662362-281	B.46			
731838	D/662363-273	B.43			
731839	D/662363-281	B.46			
731845	D/662461-231	B.39			
731848	D/662461-273	B.43			
731849	D/662461-281	B.46			
731855	D/662462-231	B.39			
731858	D/662462-273	B.43			
731859	D/662462-281	B.46			
731868	D/662463-273	B.43			
731869	D/662463-281	B.46			
731881	D/662960-200	B.21			
731882	D/662960-231	B.17			
731883	D/662960-232	B.17			
731884	D/662960-251	B.17			
731885	D/662960-252	B.17			
731895	D/662962-223	B.17			
731896	D/662962-224	B.17			

By reference number

A

B

C

D

E

X



By catalogue number

Numerical index

A

B

C

D

E

X

Cat. no.	Ref. no.	Page	Cat. no.	Ref. no.	Page	Cat. no.	Ref. no.	Page	Cat. no.	Ref. no.	Page
D/061...			D/061494-201	730757	B.22	D/062412-232	731921	B.28	D/661...		
D/061000-097	730000	B.11	D/061512-201	730185	B.7	D/062414-201	730833	B.28	D/661365-231	731570	B.17
D/061212-201	730004	B.7	D/061514-201	730189	B.7	D/062421-201	730579	B.31	D/661365-251	731571	B.17
D/061214-201	730008	B.7	D/061515-201	730193	B.7	D/062421-203	730580	B.31	D/661365-255	731572	B.49
D/061215-201	730012	B.7	D/061516-201	730197	B.7	D/062422-241	730834	B.31	D/661365-273	731574	B.43
D/061216-201	730016	B.7	D/061517-201	730201	B.7	D/062422-242	731927	B.31	D/661365-281	731575	B.46
D/061217-201	730020	B.7	D/061524-201	730215	B.9	D/062441-201	730585	B.35	D/661365-285	731576	B.47
D/061224-201	730034	B.9	D/061526-201	730223	B.9	D/062441-203	730586	B.35	D/661366-231	731584	B.17
D/061226-201	730042	B.9	D/061530-201	730510	B.11	D/062442-221	730835	B.35	D/661366-251	731585	B.17
D/061301-201	730984	B.3	D/061531-201	730513	B.11	D/062442-222	731933	B.35	D/661366-255	731586	B.49
D/061301-203	731404	B.3	D/061533-201	730516	B.11	D/062451-201	730588	B.36	D/661366-273	731588	B.43
D/061301-251	730985	B.4	D/061534-201	730519	B.13	D/062452-241	730836	B.36	D/661366-281	731589	B.46
D/061302-201	730986	B.3	D/061535-201	730522	B.13	D/062471-201	730777	B.41	D/661366-285	731590	B.47
D/061302-203	731407	B.3	D/061536-201	730525	B.13	D/062472-211	730839	B.41	D/661367-231	731557	B.17
D/061302-251	730987	B.4	D/061537-201	730528	B.13	D/062451-201	730592	B.28	D/661367-251	731601	B.17
D/061303-201	730988	B.3	D/061544-201	730530	B.15	D/062512-232	731923	B.28	D/661367-255	731602	B.49
D/061303-203	731410	B.3	D/061545-201	730532	B.15	D/062514-201	730845	B.28	D/661367-273	731606	B.43
D/061303-251	730989	B.4	D/061546-201	730534	B.15	D/062521-201	730595	B.31	D/661367-281	731607	B.46
D/061304-201	730990	B.3	D/061900-020	730250	B.7	D/062522-241	730846	B.31	D/661367-285	731608	B.47
D/061304-203	731413	B.3	D/061900-501	730992	B.3	D/062522-242	731929	B.31	D/661371-251	731618	B.19
D/061304-251	730991	B.4	D/061900-601	730996	B.3	D/062541-201	730601	B.35	D/661371-255	731619	B.49
D/061312-201	730049	B.7	D/061900-603	730997	B.3	D/062542-221	730847	B.35	D/661371-273	731621	B.43
D/061312-203	730050	B.7	D/061900-651	730998	B.4	D/062542-222	731935	B.35	D/661371-281	731622	B.46
D/061314-201	730055	B.7	D/061900-653	730999	B.4	D/062551-201	730604	B.36	D/661371-285	731625	B.47
D/061314-203	730056	B.7	D/061901-001	730252	B.12	D/062552-241	730848	B.36	D/661382-251	731632	B.19
D/061315-201	730061	B.7	D/061901-002	730253	B.12	D/062910-205	730655	B.12	D/661382-255	731635	B.49
D/061316-201	730067	B.7	D/061901-202	731000	B.3	D/062910-206	730656	B.12	D/661382-273	731637	B.43
D/061316-203	730068	B.7	D/061901-252	731001	B.4	D/062910-207	731347	B.12	D/661382-281	731638	B.46
D/061317-201	730073	B.7	D/061902-220	731002	B.3	D/062910-251	731436	B.28	D/661382-285	731639	B.47
D/061317-203	730074	B.7	D/061902-221	731003	B.3	D/062910-253	731437	B.28	D/661385-251	731646	B.19
D/061324-201	730088	B.9	D/061903-104	731004	B.3	D/062912-225	730614	B.29	D/661385-255	731647	B.49
D/061324-203	730089	B.9	D/061903-154	731005	B.4	D/062920-201	730661	B.11	D/661385-281	731648	B.46
D/061326-201	730096	B.9	D/061903-204	731006	B.3	D/062920-203	730662	B.11	D/661385-285	731649	B.47
D/061326-203	730097	B.9	D/061903-205	731007	B.3	D/062920-221	730663	B.11	D/661393-251	731654	B.21
D/061330-201	730454	B.11	D/061903-206	731008	B.3	D/062920-223	730664	B.11	D/661393-281	731656	B.46
D/061330-203	730455	B.11	D/061903-254	731009	B.4	D/062920-265	730665	B.14	D/661465-231	731662	B.17
D/061331-201	730457	B.11	D/061903-255	731010	B.4	D/062920-266	730666	B.14	D/661465-251	731663	B.17
D/061331-203	730458	B.11	D/061903-256	731011	B.4	D/062920-267	731348	B.14	D/661465-255	731665	B.49
D/061333-201	730460	B.11	D/061903-304	731012	B.3	D/062920-281	730853	B.11	D/661465-273	731667	B.43
D/061333-203	730461	B.11	D/061903-354	731013	B.4	D/062920-283	730854	B.11	D/661465-281	731668	B.46
D/061334-201	730463	B.13	D/061903-404	731014	B.3	D/062921-201	730610	B.14	D/661465-285	731669	B.47
D/061334-203	730464	B.13	D/061903-454	731015	B.4	D/062921-202	730611	B.14	D/661466-231	731677	B.17
D/061335-201	730466	B.13	D/061910-002	730255	B.7	D/062922-203	730625	B.14	D/661466-251	731678	B.17
D/061335-203	730467	B.13	D/061910-004	730256	B.7	D/062922-204	730626	B.14	D/661466-255	731679	B.49
D/061336-201	730469	B.13	D/061910-012	730257	B.7	D/062922-213	730627	B.14	D/661466-273	731681	B.43
D/061336-203	730470	B.13	D/061910-014	730258	B.7	D/062922-214	730628	B.14	D/661466-281	731682	B.46
D/061337-201	730472	B.13	D/061912-004	730260	B.7	D/062922-220	730615	B.14	D/661466-285	731683	B.47
D/061344-201	730474	B.15	D/061912-013	731415	B.7	D/062922-221	730616	B.14	D/661467-231	731691	B.17
D/061345-201	730476	B.15	D/061912-014	731416	B.7	D/062922-225	730617	B.32	D/661467-251	731692	B.17
D/061346-201	730478	B.15	D/061912-020	731024	B.7	D/062922-226	731459	B.14	D/661467-255	731693	B.49
D/061394-201	730743	B.22	D/061912-021	731467	B.8	D/062922-253	730629	B.14	D/661467-273	731695	B.43
D/061412-201	730117	B.7	D/061922-003	730261	B.9	D/062922-254	730630	B.14	D/661467-281	731696	B.46
D/061412-203	730118	B.7	D/061922-004	730262	B.9	D/062927-202	731056	B.11	D/661467-285	731697	B.47
D/061414-201	730123	B.7	D/061922-020	730263	B.9	D/062927-203	731351	B.11	D/661471-251	731706	B.19
D/061414-203	730124	B.7	D/061922-030	730281	B.9	D/062927-265	731453	B.12	D/661471-255	731707	B.49
D/061415-201	730129	B.7	D/061940-211	730649	B.11	D/062927-267	731552	B.29	D/661471-273	731709	B.43
D/061416-201	730135	B.7	D/061940-213	730650	B.11	D/062930-251	731420	B.35	D/661471-281	731711	B.46
D/061416-203	730136	B.7	D/061940-231	730651	B.11	D/062930-253	731421	B.35	D/661471-285	731712	B.47
D/061417-201	730141	B.7	D/061940-233	730652	B.11	D/062937-265	731455	B.14	D/661482-251	731719	B.19
D/061417-203	730142	B.7	D/061940-252	731538	B.11	D/062937-267	731554	B.14	D/661482-273	731721	B.43
D/061419-000	730144	B.8	D/061940-253	731539	B.11	D/062940-241	730667	B.15	D/661482-281	731723	B.46
D/061419-021	731466	B.8	D/061950-251	730653	B.15	D/062940-243	730668	B.35	D/661485-251	731728	B.19
D/061420-200	730805	B.8	D/061950-252	731540	B.15	D/062940-265	730669	B.15	D/661485-281	731729	B.46
D/061421-200	730806	B.8	D/061980-271	730975	B.41	D/062940-281	730855	B.15	D/661565-231	731733	B.17
D/061424-201	730157	B.9	D/061990-271	731357	B.22	D/062942-213	730633	B.15	D/661565-251	731734	B.17
D/061424-203	730158	B.9	D/062...			D/062942-214	730634	B.15	D/661566-231	731737	B.17
D/061426-201	730165	B.9	D/062311-201	730560	B.28	D/062942-220	730618	B.15	D/661566-251	731738	B.17
D/061426-203	730166	B.9	D/062311-203	730561	B.28	D/062942-221	730619	B.15	D/661567-231	731741	B.17
D/061430-201	730482	B.11	D/062312-232	731919	B.28	D/062942-225	730620	B.36	D/661567-251	731742	B.17
D/061430-203	730483	B.11	D/062314-201	730821	B.28	D/062942-226	731461	B.15	D/661665-231	731745	B.50
D/061431-201	730485	B.11	D/062321-201	730563	B.31	D/062942-253	730635	B.15	D/661666-231	731747	B.50
D/061431-203	730486	B.11	D/062321-203	730564	B.31	D/062942-254	730636	B.15	D/661667-231	731749	B.50
D/061433-201	730488	B.11	D/062322-241	730822	B.31	D/062947-202	731352	B.15	D/661771-251	731752	B.19
D/061433-203	730489	B.11	D/062322-242	731925	B.31	D/062947-203	731353	B.35	D/661782-251	731754	B.19
D/061434-201	730491	B.13	D/062341-201	730569	B.35	D/062947-265	731457	B.15	D/661782-255	731755	B.49
D/061434-203	730492	B.13	D/062341-203	730570	B.35	D/062960-240	730857	B.17	D/661782-285	731756	B.47
D/061435-201	730494	B.13	D/062342-221	730823	B.35	D/062961-201	730860	B.22	D/661785-251	731761	B.19
D/061435-203	730495	B.13	D/062342-222	731931	B.35	D/062961-202	730861	B.22	D/661785-255	731762	B.49
D/061436-201	730497	B.13	D/062351-201	730572	B.36	D/062970-261	730865	B.41	D/661785-285	731763	B.47
D/061436-203	730498	B.13	D/062352-241	730824	B.36	D/062972-223	730867	B.41	D/661793-251	731769	B.21
D/061437-201	730500	B.13	D/062371-201	730773	B.41	D/062972-224	730868	B.41	D/661793-281	731773	B.46
D/061444-201	730502	B.15	D/062372-211	730827	B.41	D/062972-225	730869	B.41	D/661960-231	731786	B.17
D/061445-201	730504										

Cat. no.	Ref. no.	Page	Cat. no.	Ref. no.	Page
D/661970-245	731792	B.19	NIT4	401231	B.25
D/661971-201	731794	B.17	NIT6	401232	B.25
D/661971-202	731795	B.17	P9B...		
D/661980-245	731798	B.19	P9B01VR	187003	B.15
D/661990-245	731800	B.21	P9B10VN	187002	B.15
D/662...			V/333...		
D/662361-231	731815	B.39	V/333-013721	652062	B.5
D/662361-273	731818	B.43	V/333-013723	652063	B.5
D/662361-281	731819	B.46	V/333-013732	652017	B.5
D/662362-231	731825	B.39	V/333-013733	652018	B.5
D/662362-273	731828	B.43	V/333-013734	652019	B.5
D/662362-281	731829	B.46	V/333-013736	652020	B.5
D/662363-273	731838	B.43	V/333-013742	652021	B.5
D/662363-281	731839	B.46	V/333-013743	652022	B.5
D/662461-231	731845	B.39	V/333-013744	652023	B.5
D/662461-273	731848	B.43	V/333-013746	652024	B.5
D/662461-281	731849	B.46	V/333-013760	652016	B.5
D/662462-231	731855	B.39	V/333-013762	652025	B.5
D/662462-273	731858	B.43	V/333-013763	652026	B.5
D/662462-281	731859	B.46	V/333-013764	652027	B.5
D/662463-273	731868	B.43	V/333-013766	652028	B.5
D/662463-281	731869	B.46			
D/662960-200	731881	B.21			
D/662960-231	731882	B.17			
D/662960-232	731883	B.17			
D/662960-251	731884	B.17			
D/662960-252	731885	B.17			
D/662962-223	731895	B.17			
D/662962-224	731896	B.17			
D/662962-225	731897	B.39			
D/662962-227	731898	B.17			
D/662970-231	731903	B.39			
D/662972-229	731906	B.39			
D/769...					
D/769080-000	769080	B.11			
FP...					
FP32-BS	404608	B.25			
FP32-DIN	404610	B.25			
FP32-NF	404602	B.25			
FP50-NF	404604	B.25			
FP63-BS	404600	B.25			
FP63-DIN	404606	B.25			
FP-AUX	404628	B.26			
FP-AUX2NO	404638	B.26			
FP-AUXDIN	404635	B.26			
FP-AXE300	404637	B.26			
FP-DH	404625	B.26			
FP-DH-LOCK	404626	B.26			
FP-DH-LOCK-RY	404636	B.26			
FP-DH-SIDE	404627	B.26			
FP-N-COMB	404632	B.26			
FP-N-INBUS	404629	B.26			
FP-SWN-COMB	404633	B.26			
FP-SWN-INBUS	404630	B.26			
FP-TC	404631	B.26			
FP-TC DIN	404634	B.26			
IBK...					
IBK4MM	404640	B.26			
NET...					
NET25	401220	B.25			
NET32	401221	B.25			
NET40	402770	B.25			
NET50	402771	B.25			
NET63	402772	B.25			
NHG...					
NHG000/006	403000	B.25			
NHG000/010	403001	B.25			
NHG000/016	403002	B.25			
NHG000/020	403003	B.25			
NHG000/025	403004	B.25			
NHG000/032	403005	B.25			
NHG000/035	403006	B.25			
NHG000/040	403007	B.25			
NHG000/050	403008	B.25			
NHG000/063	403009	B.25			
NHG000/080	403010	B.25			
NHG000/100	403011	B.25			
NHG000/125	403012	B.25			
NHG000/160	403013	B.25			
NIT...					
NIT10	401225	B.25			
NIT16	401226	B.25			
NIT2	401230	B.25			
NIT20	401227	B.25			

By catalogue number

A

B

C

D

E

X

The policy of GE Consumer & Industrial is one of continuous improvement.
The right is reserved to alter the design or any structural details of the products at any time without giving notice.

May 2006
GE Consumer & Industrial



Notes

Numerical index

A

B

C

X

Grid of dots for notes



GE Consumer & Industrial Power Protection

The Power Protection division (formerly GE Power Controls) of GE Consumer & Industrial is a first class European supplier of low-voltage products including wiring devices, residential and industrial electrical distribution components, automation products, enclosures and switchboards. Demand for the company's products comes from wholesalers, installers, panel-board builders, contractors, OEMs and utilities worldwide

www.ge.com/eu/powerprotection

www.gepowercontrols.com

GE POWER CONTROLS
International Sales
Nieuwevaart 51
B-9000 Gent - Belgium
Tel. +32/9 265 21 11
Fax +32/9 265 28 90
E-mail: gepcbels@gepc.ge.com

GE POWER CONTROLS Ltd
Lincoln Road
Enfield
Middlesex EN1 1SB
United Kingdom
Tel. 0800 587 1251
Fax 0800 587 1239
E-mail: gepcuk@gepc.ge.com



GE imagination at work